

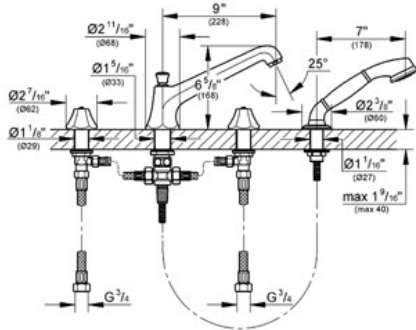
# SOMERSET Four-hole bath combination

MODEL # 25077

Pure Freude an Wasser



GROHE America, Inc | 200 North Gary Avenue, Suite G, Roselle, IL 60172  
Phone: +1 (800) 444-7643 | Fax: +1 (800) 225-2778 | us-customerservice@grohe.com



### Product Description: Four-hole bath combination

#### Standard Specification:

- GROHE StarLight® finish
- Side valves with 1/2" ceramic cartridges
- Diverter bath spout with flow control
- Handshower
- Pressure resistant flexible connection hoses (between spout and side valves)
- Handles sold separately
- Lever Handles 18 172 000 & 18 172 EN0 (sold separately)
- Max Flow Rate 13.2 gpm (50 L/min)

#### Applicable Codes & Standards:

- Energy Policy Act of 1992
- ASME A112.18.1/CSA B125.1

#### Color:

- 25077 000 chrome
- 25077 EN0 Brushed Nickel

