

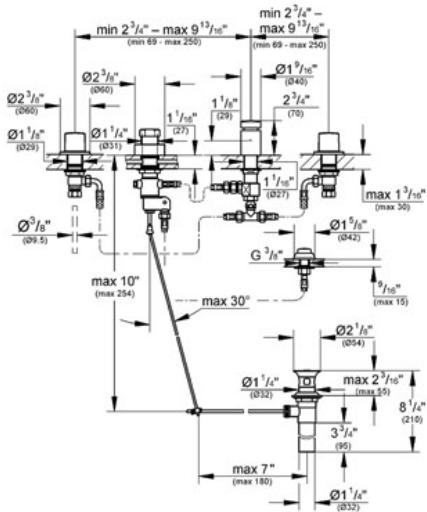
GROHE ONDUS 3-Hole Bidet Mixer

MODEL # 31050

Pure Freude an Wasser



GROHE America, Inc | 200 North Gary Avenue, Suite G, Roselle, IL 60172
Phone: +1 (800) 444-7643 | Fax: +1 (800) 225-2778 | us-customerservice@grohe.com



Product Description: 3-Hole Bidet Mixer

Standard Specification:

- Metal handles
- Double check valve
- Diverter: rim flush/bidet spray
- Max Flow Rate 1.6 gpm (6 L/min)

Applicable Codes & Standards:

- Energy Policy Act of 1992
- ASME A112.18.1/CSA B125.1

Color:

- 31050 LS0 moon white
- 31050 000 chrome
- 31050 KS0 velvet black

