

LADYLUX CAFÉ

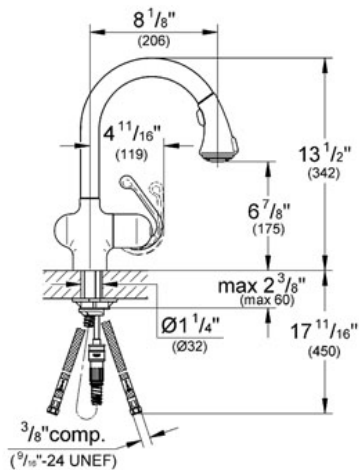
Single-lever sink mixer 1/2"

MODEL # 33755

Pure Freude an Wasser



GROHE America, Inc | 200 North Gary Avenue, Suite G, Roselle, IL 60172
 Phone: +1 (800) 444-7643 | Fax: +1 (800) 225-2778 | us-customerservice@grohe.com



Product Description:

Single-lever sink mixer 1/2"

Standard Specification:

- GROHE EcoJoy® technology for less water and perfect flow
- GROHE SilkMove® ceramic cartridge
- GROHE StarLight® finish
- GROHE RealSteel® Stainless Steel Construction produced from 304 stainless steel
- **Dual Spray Pull-Out**
 - Solid stainless steel body
 - Single hole installation
 - 360° swivel spout
 - Convenient Dual Spray Trigger - hold and release on/off spray control
- **SpeedClean** anti-lime system
- Stainless steel flexible connection hoses
- Double check valve
- Quick installation system
- Single Lever Handle
- Variable Handle Positioning
- Spout Reach 8 1/8"
- Coordinated Ladylux Pro Design
- Max Flow Rate 1.5 gpm (5.7 L/min)

Applicable Codes & Standards:

- Energy Policy Act of 1992
- NSF 61
- ASME A112.18.1/CSA B125.1
- US Federal and State material regulations

Color:

- 33755 KD0 Stainless Steel/Soft Black
- 33755 SD1 Stainless Steel
- 33755 SDE stainless steel
- 33755 SD0 GROHE RealSteel®

