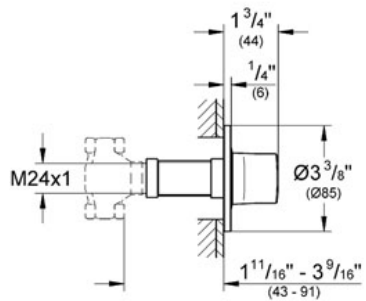


GROHE ONDUS  
Concealed Valve Exposed Part  
MODEL # 19439

Pure Freude an Wasser



GROHE America, Inc | 200 North Gary Avenue, Suite G, Roselle, IL 60172  
Phone: +1 (800) 444-7643 | Fax: +1 (800) 225-2778 | us-customerservice@grohe.com



**Product Description:**  
Concealed Valve Exposed Part

**Standard Specification:**

Set for final installation for

- For use with Rough-In valve 29 034 000
- Adjustable installation depth
- $1 \frac{11}{16}'' - 3 \frac{1}{2}''$
- Bayonet union escutcheon
- Grip metal handle
- For use with Rough-In Valve 29 034
- When using the  $\frac{3}{4}''$  volume control valve (29 274) you must follow the rough in dimensions from the 29 034 valve

**Applicable Codes & Standards:**

- Energy Policy Act of 1992
- ASME A112.18.1/CSA B125.1

**Color:**

- 19439 000 chrome
- 19439 KS0 velvet black
- 19439 LS0 moon white