

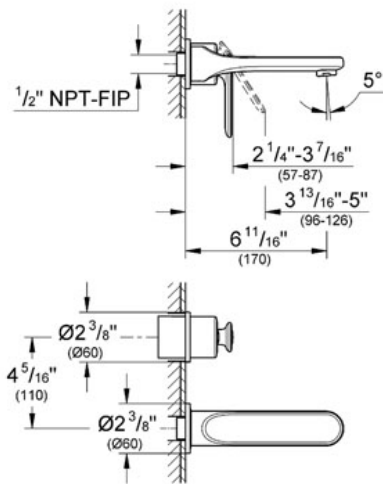
VERIS Two-Hole Basin Mixer

MODEL # 19343

Pure Freude an Wasser



GROHE America, Inc | 200 North Gary Avenue, Suite G, Roselle, IL 60172
Phone: +1 (800) 444-7643 | Fax: +1 (800) 225-2778 | us-customerservice@grohe.com



Product Description: Two-Hole Basin Mixer

Standard Specification:

- Wall mount
- Set for final installation for
- 32 641
- Without concealed body
- **GROHE StarLight®** finish
- Integrated **SpeedClean** flow control
- Separate escutcheons Ø 2 3/8"
- Projection 6 11/16"
- Center distance 4 5/16" (110 mm)
- Requires Vessel Rough-In Valve 32 641
- Max Flow Rate 1.5 gpm (5.7 L/min)
- **GROHE WaterCare™**

Applicable Codes & Standards:

- Energy Policy Act of 1992
- NSF 61
- ASME A112.18.1/CSA B125.1
- US Federal and State material regulations
- EPA WaterSense®

Color:

- 19343 000 chrome
- 19343 KS0 velvet black
- 19343 LS0 moon white

