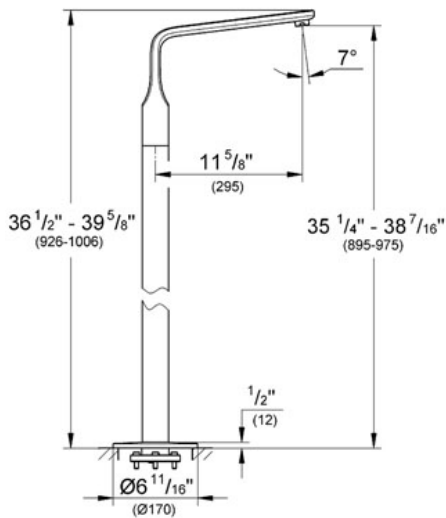


VERIS  
Tub Spout  
MODEL # 13245

Pure Freude an Wasser



GROHE America, Inc | 200 North Gary Avenue, Suite G, Roselle, IL 60172  
Phone: +1 (800) 444-7643 | Fax: +1 (800) 225-2778 | us-customerservice@grohe.com



**Product Description:**  
Tub Spout

**Standard Specification:**

- GROHE StarLight® finish
  - Floor standing tub filler
- Set for final installation for
- Requires 45 984 000 Rough-In
  - Requires Rough-In Set 29 038 000 (sold separately)
  - Spout with flow control
  - Projection  $11 \frac{5}{8}''$
  - Total height  $40 \frac{3}{4}''$
  - Requires Rough-In Set 29 038
  - Max Flow Rate 7 gpm at 45 psi (26.5 L/min)

**Applicable Codes & Standards:**

- Energy Policy Act of 1992
- ASME A112.18.1/CSA B125.1

**Color:**

- 13245 000 chrome