

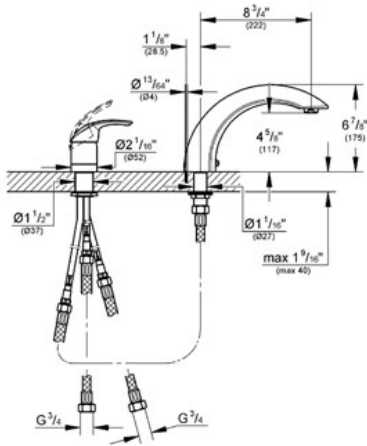
# EUROSMART 2-hole Single-Lever Bath Combination

MODEL # 32645

GROHE America, Inc | 200 North Gary Avenue, Suite G, Roselle, IL 60172  
Phone: +1 (800) 444-7643 | Fax: +1 (800) 225-2778 | us-customerservice@grohe.com

*Pure Freude an Wasser*

**GROHE**  
WAVES



**ADA**

#### Product Description:

2-hole Single-Lever Bath Combination

#### Standard Specification:

- GROHE StarLight® finish
- Max Flow Rate 6.3 gpm (23.8 L/min)

#### Applicable Codes & Standards:

- Energy Policy Act of 1992
- ASME A112.18.1/CSA B125.1
- ICC/ANSI A117.1

#### Color:

- 32645 001 chrome
- 32645 EN1 Brushed Nickel inf