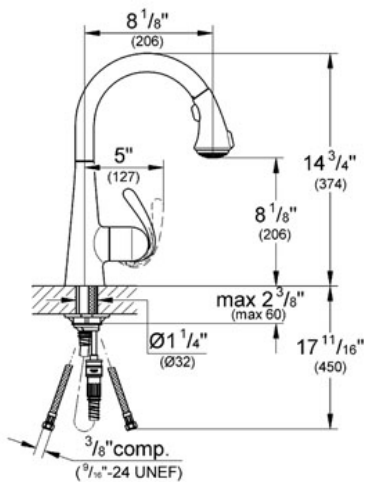


LADYLUX3 CAFÉ
Single-lever sink mixer 1/2"
MODEL # 32298

Pure Freude an Wasser



GROHE America, Inc | 200 North Gary Avenue, Suite G, Roselle, IL 60172
Phone: +1 (800) 444-7643 | Fax: +1 (800) 225-2778 | us-customerservice@grohe.com



Product Description:
Single-lever sink mixer 1/2"

Standard Specification:

- GROHE SilkMove® ceramic cartridge
- GROHE StarLight® finish
- GROHE RealSteel® Stainless Steel Construction produced from 304 stainless steel
- GROHE SuperSteel Infinity Finish™
- Single hole installation
- Swivel Spout
- Adjustable flow rate limiter
- Convenient Dual Spray Trigger - hold and release on/off spray control
- Automatic returning
- Integrated non-return valve
- Diverter: aerator/shower jet
- Automatic return to aerator
- Stainless Steel Braided Flexible Supplies
- Quick installation system
- SpeedClean anti-lime system
- Protected against backflow
- Max Flow Rate 1.75 gpm (6.6 L/min)

Applicable Codes & Standards:

- Energy Policy Act of 1992
- NSF 61
- ASME A112.18.1/CSA B125.1
- US Federal and State material regulations
- ICC/ANSI A117.1

Color:

- 32298 001 chrome
- 32298 000 chrome
- 32298 00E chrome
- 32298 DC1 supersteel
- 32298 SD0 GROHE RealSteel®
- 32298 SDE stainless steel
- 32298 SD1 Stainless Steel
- 32298 KD0 Stainless Steel/Soft Black

GROHE America, Inc | 200 North Gary Avenue, Suite G, Roselle, IL 60172
Phone: +1 (800) 444-7643 | Fax: +1 (800) 225-2778 | us-customerservice@grohe.com

- 32298 DCE supersteel
- 32298 DC0 supersteel