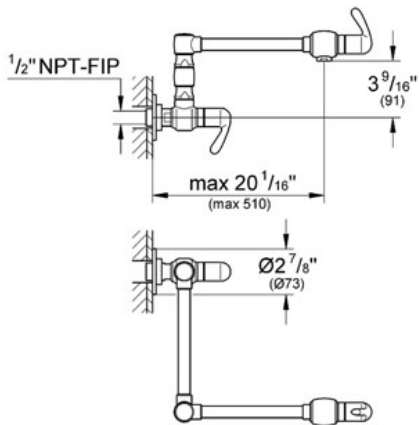
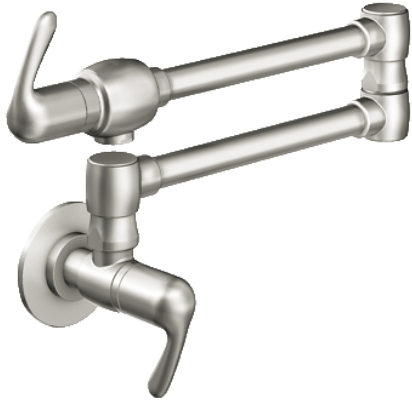


LADYLUX3
Pot Filler
MODEL # 31075

Pure Freude an Wasser



GROHE America, Inc | 200 North Gary Avenue, Suite G, Roselle, IL 60172
Phone: +1 (800) 444-7643 | Fax: +1 (800) 225-2778 | us-customerservice@grohe.com



Product Description:
Pot Filler

Standard Specification:

- GROHE RealSteel® Stainless Steel Construction produced from 304 stainless steel
- Wall mount
- Cold water only
- Max Flow Rate 1.75 gpm (6.6 L/min)

Applicable Codes & Standards:

- Energy Policy Act of 1992
- NSF 61
- ASME A112.18.1/CSA B125.1
- US Federal and State material regulations

Color:

- 31075 SD0 GROHE RealSteel®