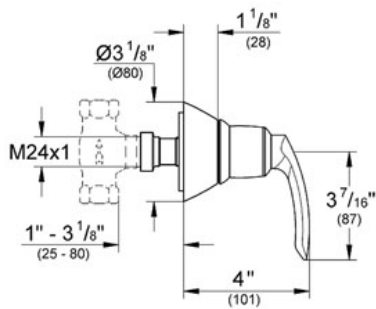


TALIA
Concealed Valve Exposed Part
MODEL # 19262

Pure Freude an Wasser



GROHE America, Inc | 200 North Gary Avenue, Suite G, Roselle, IL 60172
Phone: +1 (800) 444-7643 | Fax: +1 (800) 225-2778 | us-customerservice@grohe.com



ADA

Product Description:
Concealed Valve Exposed Part

Standard Specification:

- GROHE StarLight® finish
- For GROHE concealed valves 1/2", 3/4", 1"
- Adjustable installation depth
- 3/4" - 3 1/8"
- With Talia Volo lever handle

Applicable Codes & Standards:

- Energy Policy Act of 1992
- ASME A112.18.1/CSA B125.1
- ICC/ANSI A117.1

Color:

- 19262 000 chrome
- 19262 EN0 Brushed Nickel