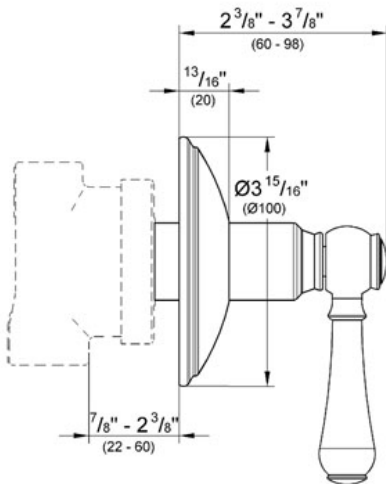


GENEVA  
3-Way Diverter  
MODEL # 19220

Pure Freude an Wasser

GROHE

GROHE America, Inc | 200 North Gary Avenue, Suite G, Roselle, IL 60172  
Phone: +1 (800) 444-7643 | Fax: +1 (800) 225-2778 | us-customerservice@grohe.com



ADA

**Product Description:**  
3-Way Diverter

**Standard Specification:**

- GROHE StarLight® finish
- Lever handle
- Set for final installation (for 29 712)
- Without concealed body
- Adjustable installation depth
- 7/8" - 2 3/8"

**Applicable Codes & Standards:**

- Energy Policy Act of 1992
- ASME A112.18.1/CSA B125.1
- ICC/ANSI A117.1

**Color:**

- 19220 000 chrome
- 19220 BE0 Sterling inf
- 19220 EN0 Brushed Nickel
- 19220 ZB0 Oil Rubbed Bronze