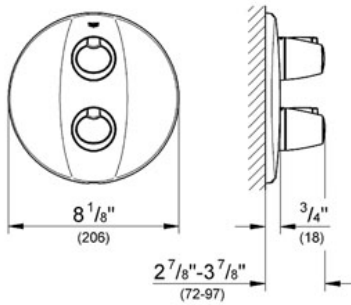


GROHTHERM 3000
Thermostatic Shower Mixer
MODEL # 19256

Pure Freude an Wasser



GROHE America, Inc | 200 North Gary Avenue, Suite G, Roselle, IL 60172
Phone: +1 (800) 444-7643 | Fax: +1 (800) 225-2778 | us-customerservice@grohe.com



Product Description:
Thermostatic Shower Mixer

Standard Specification:

Set for final installation for

- For use with GROHTHERM Rough-In Valve 34 126
- Without concealed body
- Safety stop at 100°F
- Volume control handle with economy button and individually adjustable economy stop
- **GROHE StarLight®** finish

Applicable Codes & Standards:

- Energy Policy Act of 1992
- ASME A112.18.1/CSA B125.1

Color:

- 19256 000 chrome