

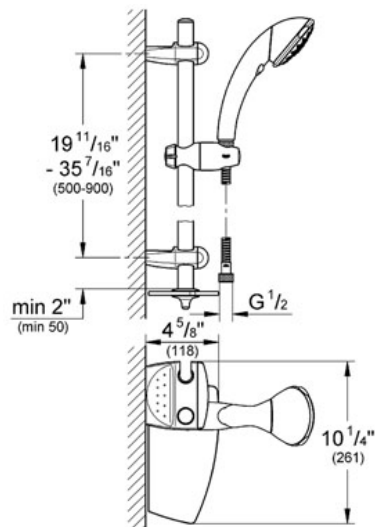
MOVARIO 100 FIVE Shower Set 5

MODEL # 28574

Pure Freude an Wasser



GROHE America, Inc | 200 North Gary Avenue, Suite G, Roselle, IL 60172
Phone: +1 (800) 444-7643 | Fax: +1 (800) 225-2778 | us-customerservice@grohe.com



Product Description: Shower Set 5

Standard Specification:

- GROHE StarLight® finish
 - SpeedClean anti-lime system
- Consisting of:
- 36" shower bar (28 398 000)
 - GROHE EcoJoy® 2.4 g flow limiter
 - Five handshower (28 444 000)
 - Rotahead adjustable shower head system
 - 59" shower hose (28 417 000)
 - Tray (28 549 000)
 - With shower holder

Applicable Codes & Standards:

- Energy Policy Act of 1992
- ASME A112.18.1/CSA B125.1

Color:

- 28574 000 chrome
- 28574 EN0 Brushed Nickel

