



Temprasafe 35 204 Remote Pressure Balance Valve

Description

Inline remote pressure balance valve
1/2" NPT female inlets
For use with non-safety mixing valves
To be installed upstream of the mixing valve(s)

Flow Rate

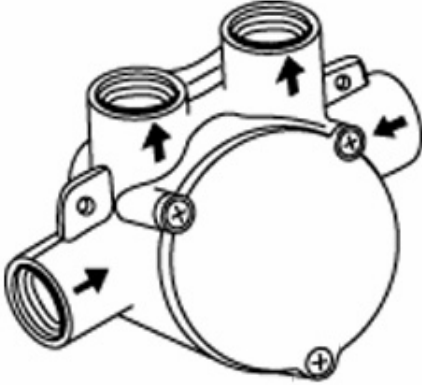
5.5 gpm at 45 psi

Code Compliance

- ASME/ANSI A112.18.M

Finish Options

35 204 000 Rough Brass



Flow Rates:

Psi	15	30	45	60	75	90
g/min.	3.5	4.5	5.5	6.0	6.5	7.0

