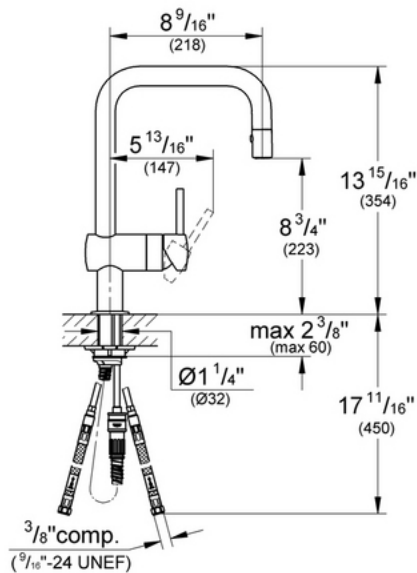


32 319 Dual Spray Pull Down



Description

GROHE SilkMove® Ceramic Cartridge
 SpeedClean® Anti-Lime System
 Locking Push Button Control - to switch from regular flow to spray
 Stainless Steel Braided Flexible Supplies
 Quick Installation System
 Single Lever Handle
 Variable Handle Positioning
 8 9/16" Spout Reach

Flow Rate

2.2 gpm at 45 psi, 2.5 gpm at 80 psi
 (9.5 lpm)

Code Compliance

ASME/ANSI A112.18.1M
 ANSI/NSF Standard 61
 CSA Standard B125.1-05
 ADA Compliant

Finish Options

32 319 OOO Starlight® Chrome
 32 319 DCO SuperSteel