

Aero Pure  TM
BATH FAN

User's Manual

**SBF80L1 / SBF80G
SBF110L1 / SBF110G**

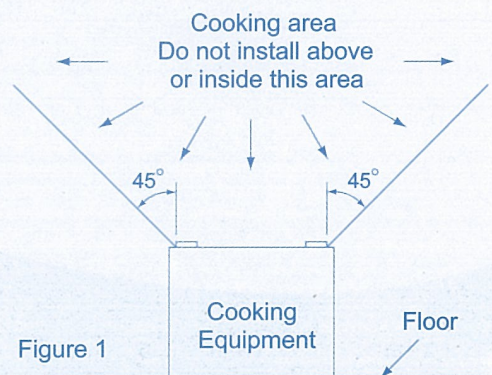
READ AND SAVE THESE INSTRUCTIONS.

Read these instructions carefully before installing or using this product!

BEFORE INSTALLATION WARNING!

**TO REDUCE THE RISK OF FIRE, ELECTRIC SHOCK, OR INJURY
TO PERSONS, OBSERVE THE FOLLOWING:**

1. Use this unit in the manner intended by the manufacturer. If you have any questions, please contact the manufacturer .
2. Before servicing or cleaning unit, switch power off at service panel and lock the service disconnecting means to prevent power from being switched on accidentally. When the service disconnecting means cannot be locked, securely fasten a prominent warning device, such as a tag, to the service panel.
3. Installation work and electrical wiring must be done by qualified person(s) in accordance with all applicable codes and standards, including fire-rated construction.
4. Sufficient air is needed for proper combustion and exhausting of gases through the flue (chimney) of fuel burning equipment to prevent back drafting. Follow the heating equipment manufacturer's guideline and safety standards such as those published by the National Fire Protection Association (NFPA), and the American Society for Heating, Refrigeration and Air Conditioning Engineers (ASHRAE), and the local code authorities.
5. When cutting or drilling into wall or ceiling, do not damage electrical wiring and other hidden utilities.
6. Ducted fans must always be vented to the outdoors.
7. If this unit is to be installed over a tub or shower, it must be marked as appropriate for the application and be connected to a GFCI (Ground Fault Circuit Interrupter) – protected branch circuit.
8. NEVER place a switch where it can be reached from a tub or shower.
9. This fan must be properly grounded.
10. Do not use in the cooking area (Figure. 1).
11. Do not block the air intakes or exhaust.



12. Power supply wiring is to be No. 14 AWG wire or larger (suitable for at least 90C (190F)).
13. Not for use outdoors.
14. For the lighted unites, use only PLC type 26W lamps and a maximum of 4W night lamp for lighting.(SBF80L, SBF110L)
15. The fan must not be installed in a ceiling with an "R" rating greater than 40.
16. The fan is type IC (Inherently Protected).
17. To reduce the risk of injury, install the fan at least 2.1m (7 feet) above the floor.
18. Acceptable for use over a shower or tub when installed in a GFCI protected branch circuit.
19. The fan should not be turned on and off rapidly nor should it be left running continuously.
20. Do not clean the fan with corrosive chemicals nor water in excess of 60C (140F).
21. If the fan is not operating properly, shut the power off immediately, and have a certified inspect it and have it serviced as required.
22. These fan must be mounted to structural members that are strong enough to support the fan's weight.
23. Do not allow foreign objects to enter the fan; this could result in electric shock or fan damage.

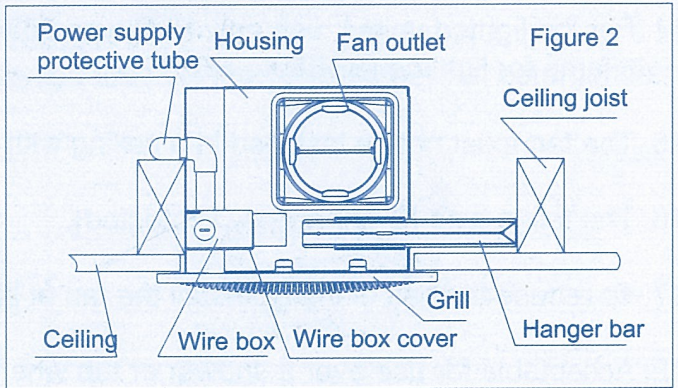
CAUTION

1. For general ventilating use only. Do not use to exhaust hazardous or explosive materials and vapors.
2. This product is designed for installation in flat ceilings only. Do not install it in a sloping ceiling or in a wall.
3. To avoid motor bearing damage and noisy unbalanced impellers keep construction material / dust from entering the fan.
4. Please read specification label on the product for further information and requirements.
5. "WARNING": To Reduce The Risk Of Fire Or Electric Shock, Do Not Use This Fan With Any Solid-State Speed Control Device.

PLEASE INSTALL AS THE FOLLOWING STEPS:

INSTALLATION

The unit should only be installed in a ceiling. The size of joists should be at least 2" wide and 4" high. The space between two joists should be 16". From the above surface of the suspended ceiling there should be minimum 9" distance to the roof. (Figure 2) Select the suspension brackets as shown in (Figure 3)

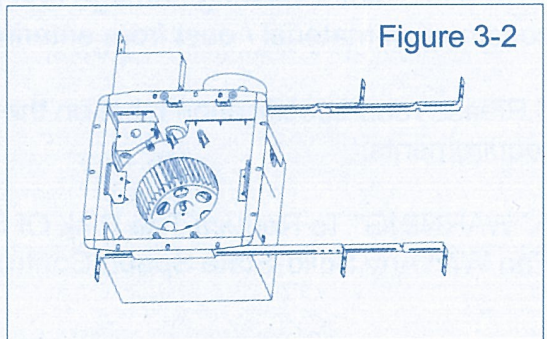
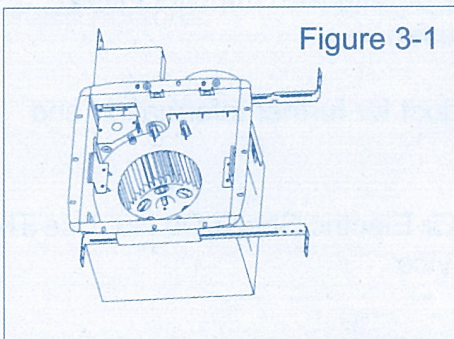
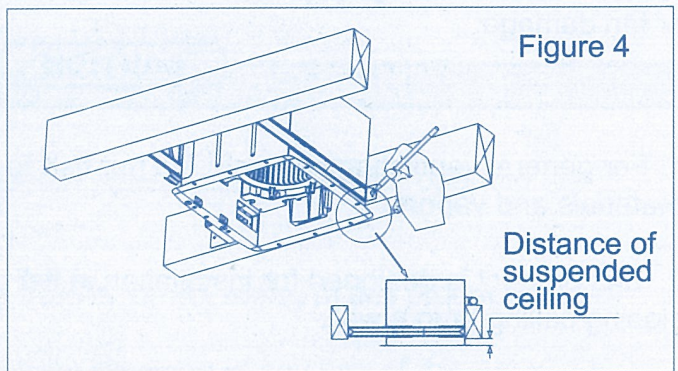
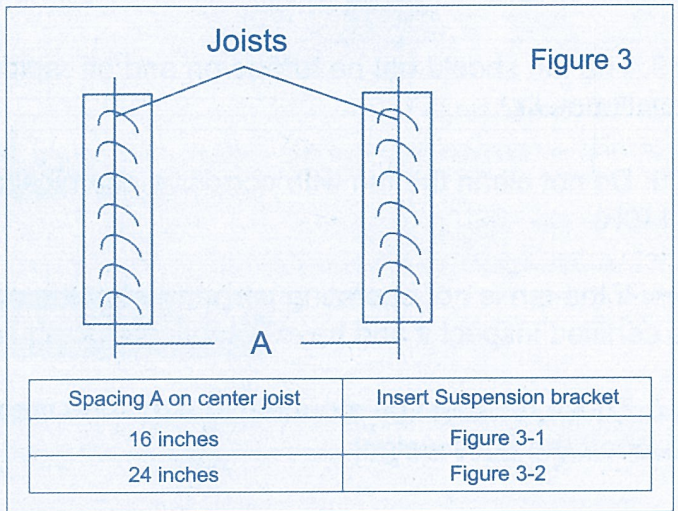


1. Remove the grille by gently squeezing the wire springs and extracting them from the slots in the housing.

2. Remove the wire box cover and install the 3 brackets on the fan housing. (Figure. 3-1, Figure. 3-2).

3. To install the housing in the ceiling, position it between the joists and extend the brackets to the adjacent joists.. Mark the screw locations (at the top of the keyhole on each bracket) on the joists.

Note: make sure to allow the appropriate depth for the particular ceiling type. The bottom edge of the housing should be flush with the ceiling. (Figure 4)



4. Remove the housing and drive the screws part way into the joists at the marked locations.

5. Mount the housing using the screws in the joists and then secure them tightly. Make all the electrical connections in the wire box, per the wiring diagram, and attach the wire box cover. Attach the discharge duct tightly onto the fan outlet.

Note: In order for the fan to operate efficiently, keep the discharge duct as straight as possible.

6. To complete the installation, install the lamps (if applicable) and mount the grill.

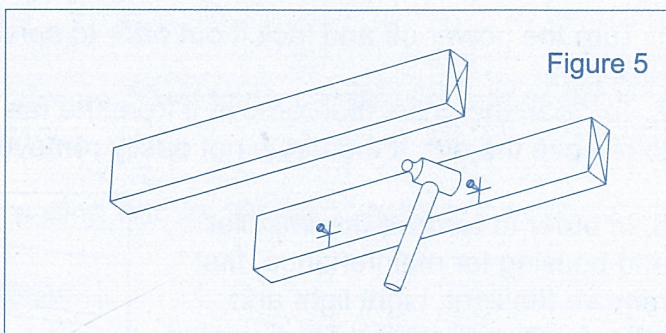


Figure 5

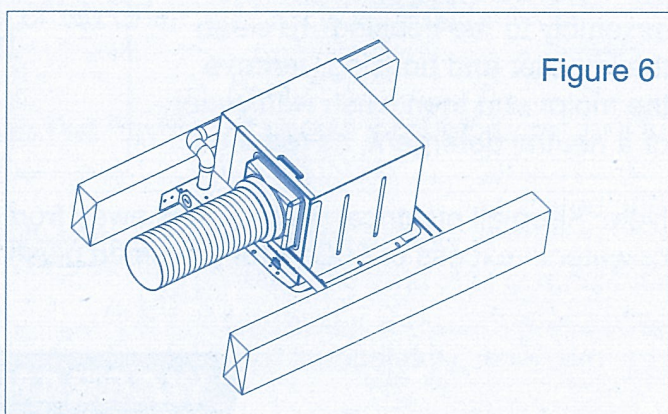
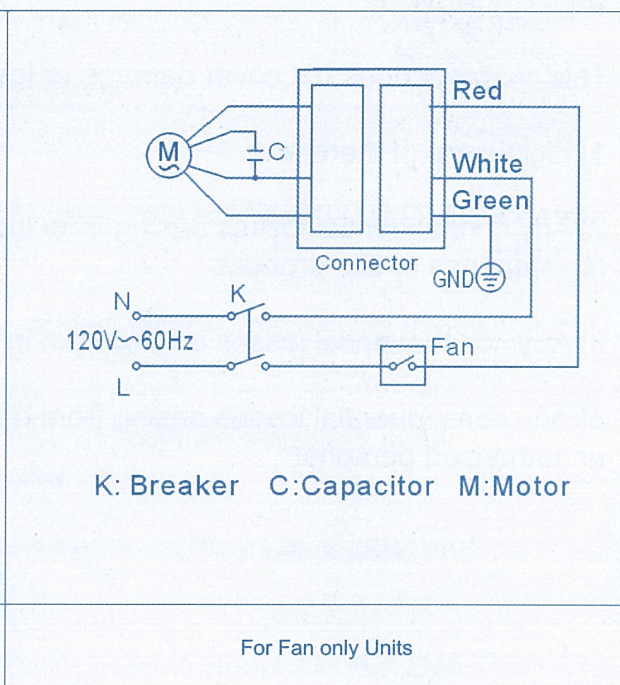
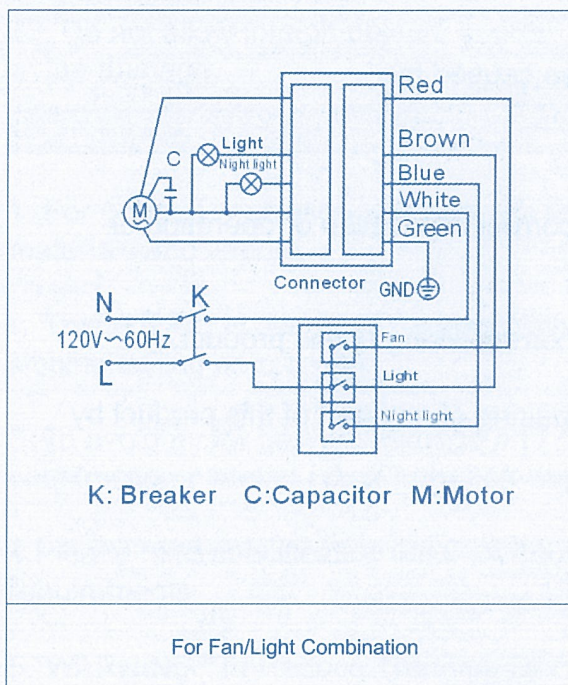


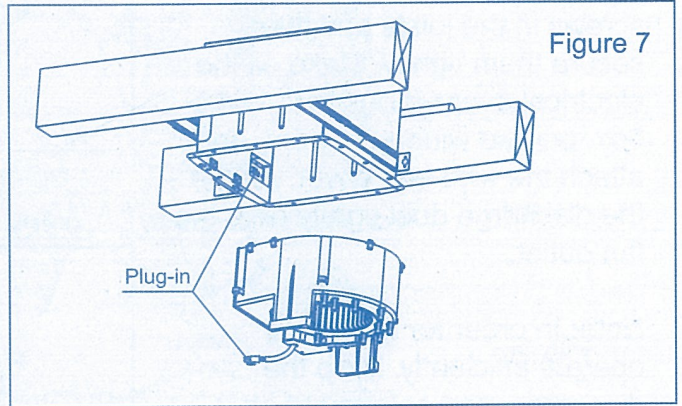
Figure 6

Wiring Diagram



MAINTENANCE

1. Turn the power off and lock it out prior to servicing or cleaning.
2. To clean the grille, first remove it from the fan then use a soft brush and clean water to remove the dirt. If the dirt is not easily removed, wash with a neutral detergent.
3. In order to remove the impeller and housing for maintenance, first remove the light, night light and reflector (if applicable). Then unplug the electrical connection and remove the 4 screws that secure the fan assembly to the housing. To clean the impeller and housing, remove the motor and then wash with water or a neutral detergent, as required.



Note: Keep all electrical components away from water. Do not use corrosive chemicals or water in excess of 60C (140F) to clean plastic parts.

WARRANTY

The product is warranted against failure for a period of 4 year (excluding Light Lamp). Labor cost extra. Please keep and bring the original invoice to your local agent for warranty services.

This warranty does not cover damage or lose caused by:

- 1) Light lamp (if there are).
- 2) Any consequential losses arising from incorrect installation or operation or maintenance of this product.
- 3) Any consequential losses arising from incorrect wiring of this product.
- 4) Any consequential losses arising from repairing of any part of this product by unauthorized persons.

LIST OF ACCESSORIES

Operation Unit	1 Unit
Bracket for Installation	5 Pieces
User's Manual	1 Piece
26W energy saving Lamp (in model SBF80L, SBF110L)	1 Piece
4W night lamp (in model SBF80L, SBF110L)	1 Piece

MAIN TECHNICAL PARAMETERS

Model number	Voltage	Frequency	Power consumption (W)			Speed (RPM)	Air deliver (CFM)
			Motor	Light	Night light		
SBF80G Series (1, 2, 3, 4, 5, 6...)	120V	60Hz	≤ 25	—	—	660	80
SBF110G Series (1, 2, 3...)	120V	60Hz	≤ 30	—	—	780	110
SBF80L1	120V	60Hz	≤ 25	Type PLC ≤26W	4	660	80
AF110L1	120V	60Hz	≤ 30	Type PLC ≤26W	4	780	110