

### READ AND SAVE THESE INSTRUCTIONS.

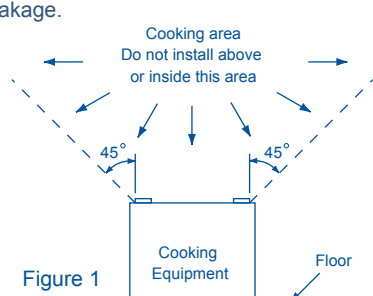
Read these instructions carefully before installing or using this product!

Dear customers,  
Thank you for selecting Aero Pure, which is surely to bring you satisfaction. Read all instructions before using the unit. Save these instructions please.

#### WARNING!

**TO REDUCE THE RISK OF FIRE, ELECTRIC SHOCK, OR INJURY TO PERSONS, OBSERVE THE FOLLOWING:**

1. Use the unit only in the manner intended by the manufacturer. If you have questions, contact the local agent or the manufacturer.
2. Before servicing or cleaning the unit, switch power off at service panel and lock the service disconnecting means to prevent power from being switched on accidentally. When the service disconnecting means cannot be locked, securely fasten a prominent warning device, such as a tag, to the service panel.
3. Installation work and electrical wiring must be done by qualified person(s) in accordance with all applicable codes and standards, including fire-rated construction.
4. For the purpose of avoiding any dangerous gas leaking into your house, the duct must not be laid together with the vent-pipe of air-fueled water heater into the same flue.
5. When cutting or drilling into wall or ceiling, do not damage electrical wiring and other hidden utilities.
6. Ducted fans must always be vented to the outdoors.
7. NEVER place a switch where it can be reached from a tub or shower. To reduce electric troubles, water must be prevented from going into the housing. The fan must not be installed at the place where suffers severe water leakage.
8. Not for use in the cooking area.(Figure 1)
9. Not for use in the shower cubicle generally.
10. The ceiling must be strong enough to support the weight of the fan.
11. The fan must be properly grounded.
12. Do not insert or allow foreign objects to enter any ventilation or exhaust opening as this may cause an electric shock, or damage the unit.



13. Do not block air intakes or exhaust in any manner.
14. Do not switch on/off frequently when in use. Shut off power if in long vacancy.
15. Shut off power urgently if anything unusual occur when in operation and contact with local agent or specialized maintenance shop.
16. When clean the fan, do not use corrosive chemical liquid. Do not rinse plastic parts in water the temperature of which is higher than 60°C.
17. For supply connections use No. 14 AWG or larger wires suitable for at least 90°C(194°F).
18. Do not use outdoors.
19. To reduce the risk of fire, use only PL type 26W lamp. For the nightlight use a maximum 4W lamp. (Model: AP80L1, AP80L2, AP80L3, AP110L1, AP110L2, AP110L3)
20. Ceiling Insert Fans must not be installed in a ceiling with an insulation value that is greater than R40.
21. TYPE IC-INHERENTLY PROTECTED.
22. To reduce the risk of injury to persons, install fan at least 2.1m (7 feet) above the floor.
23. These fans (model number is: #L1, #G2, #G6) are acceptable for use over a bathtub or shower when installed in a GFCI protected branch circuit. Other models are not for use over a tub or shower.

#### CAUTION

1. For general ventilating use only. Do not use to exhaust hazardous or explosive materials and vapors.
2. This product is designed for installation in flat ceilings only and for household use only. Do not mount it on a sloping ceiling or a vertical wall.
3. To avoid motor bearing damage and unusual noise and/or unbalanced impellers, keep drywall spray, construction dust, etc. off the unit.
4. It is highly recommended to make preparation for unit installation when you retrofit your bathroom.

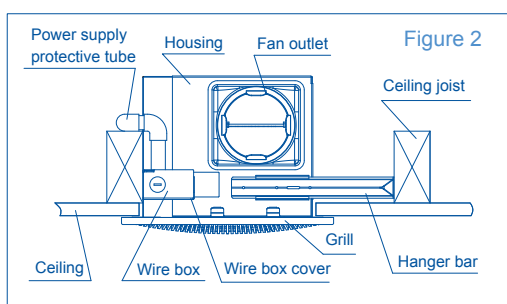
#### SAVE THESE INSTRUCTIONS

### TO INSTALL, FOLLOW THE STEPS AS FOLLOWING:

#### INSTALLATION

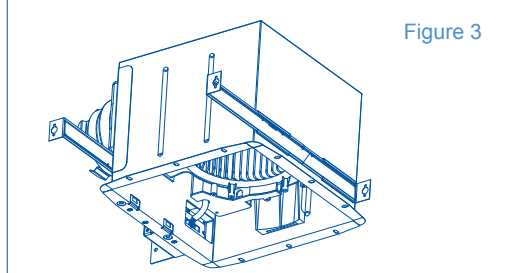
##### 1. PREPARATION FOR INSTALLATION

(Figure 2) The unit should be ceiling insert only. The size of joists should be at least 2" wide and 4" high. The space between two joists should be 16". From the above surface of the suspended ceiling there should be minimum 9" distance to the roof.

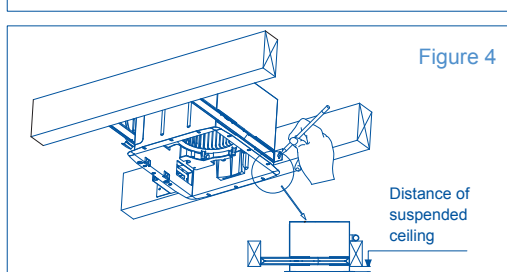


##### 2. INSTALLATION

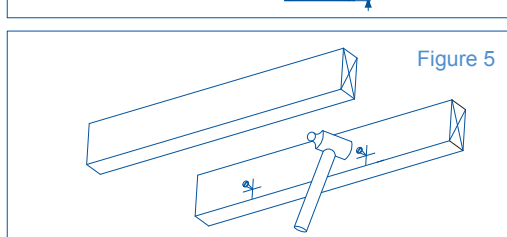
1) Remove the grill by a little press the spring inside and take off the fascia from the housing. (Figure 3)



2) Remove the wire box cover from the housing and install the 3 brackets onto the housing in the very positions. (Figure 3)



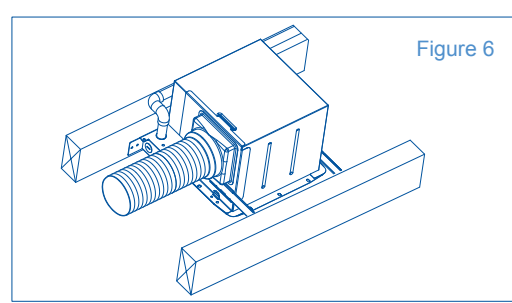
3)Position housing between joists and extend mounting brackets. Mark the top of keyhole for screws on all mounting brackets. When fixing the brackets onto ceiling joists, make sure to reserve the suspended ceiling thickness between bottom edge of housing and ceiling joists. After the final ceiling work, the bottom edge of housing should be flush with suspended ceiling.(Figure 4)



Note: Make sure the distance from the fan outlet to the wall must be less than the length of the ventiduct before installing.

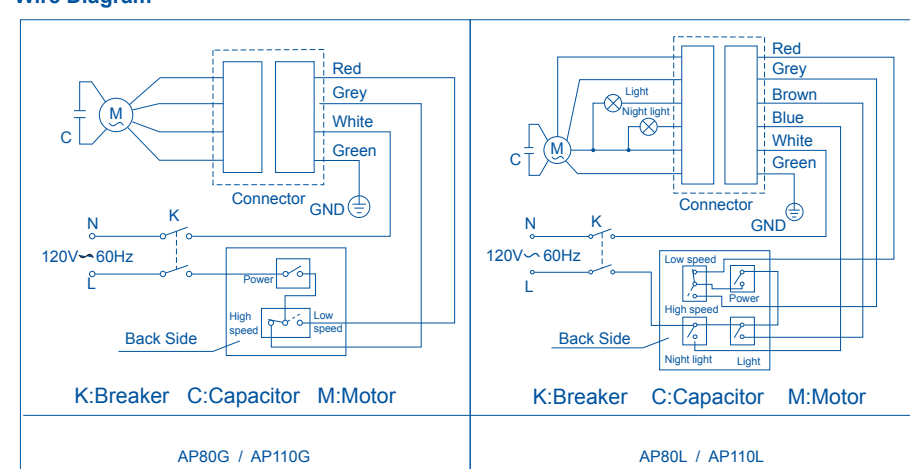
4)Remove housing temporarily, and pound screws partially into joists at all marked locations. (Figure 5)

5) Hang housing onto the screw and pound all the screws tight. Connect the end of wire in the wire box with power wire outside according to the wire diagram, then replace the wire box cover after putting the protective tube for the power wire in the very position. Fix the ventiduct tightly onto the fan outlet.(Figure 6)



Note: To be most effective, please keep the ventiduct as straight as possible.

#### Wire Diagram



6) Replace the grill after finishing the ceiling. (Install the light if has)

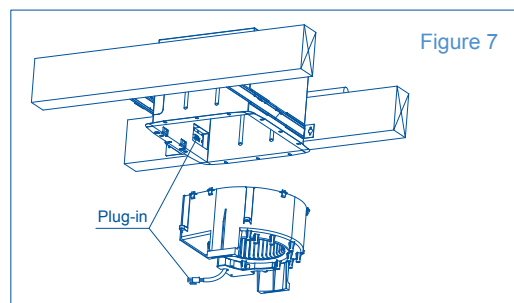
#### MAINTENANCE

1. Shut off power before servicing or cleaning.
2. Remove the grill. Soft brush and clean water can be used for cleaning the grill. For the dirt that cannot be wiped off easily, you may immerse it into the neutral detergent first.

3. Unplug the plug-in connection and remove the 4 screws on the wheel shell (first remove light, night-light and the reflector if there are) then disassemble the motor, fan wheel, wheel shell for washing and maintenance. (Figure 7)

Note: Electric parts are prohibited from touching water. Do not use gasoline, chemical reagent or hot water higher than 60 centigrade degree to clean the plastic components.

4. After the cleaning and maintenance, install all the parts in reverse after they become dry thoroughly.



#### WARRANTY

The product is warranted against failure for a period of 4 years. **Labor costs extra.** Please keep and bring the original invoice to your local agent for warranty services. This warranty does not cover damage or loss caused by:

- 1) Light lamp and night lamp (if there are).
- 2) Any consequential losses arising from incorrect installation or operation or maintenance of this product.
- 3) Any consequential losses arising from incorrect wiring of this product.
- 4) Any consequential losses arising from repairing of any part of this product by unauthorized persons.

#### LIST OF ACCESSORIES

Operation Unit	1 unit
Bracket for Installation	1 set
User's Manual	1 piece
26W PL and 4W nightlight bulb (in model AP80L1, AP80L2, AP80L3, AP110L1, AP110L2, AP110L3 only)	1 set

#### MAIN TECHNICAL PARAMETERS

Model number	Rated voltage	Rated frequency	Power consumption (W)			Airflow (CFM)
			Motor	Light	Night light	
AP80G (1,2,3,4,5,6...)	120V	60Hz	≤25	—	—	80
AP110G (1,2,3,4,5,6...)	120V	60Hz	≤40	—	—	110
AP80L1	120V	60Hz	≤25	≤26, PL	4	80
AP80L2						80
AP80L3						70
AP110L1	120V	60Hz	≤40	≤26, PL	4	100
AP110L2						100
AP110L3						100

Fill out the following details and file with your purchase invoice

**Aero Pure** BATH FAN

Purchased from \_\_\_\_\_

Date of purchase \_\_\_\_\_

WE KEEP THE RIGHTS TO REVISE THIS INSTRUCTION WITHOUT ANY PRIOR NOTICE.