

TOT TUTORS

Tot Tutors, Inc.
www.tottutors.com

561 . 995 . 8940
email : info@tottutors.com
6600 West Rogers Circle . Suite 13
Boca Raton . Florida . 33487

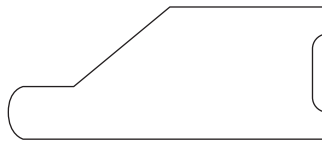
TB816 (primary) / TB818 (espresso)
Store ALL Multi-Storage Unit

MAR14HY

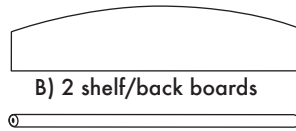
Made in China

Recommended for ages 3 - 8 years

This model is in compliance with ASTM toy safety standard F963 & CPSIA 2008

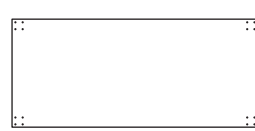


A) 1 left + 1 right unit panel

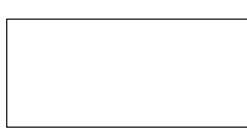


B) 2 shelf/back boards

C) 3 wood rods



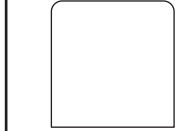
D) 1 toy box bottom



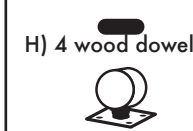
E) 1 toy box back



F) 1 toy box front



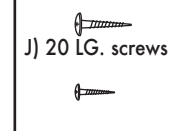
G) 2 toy box sides



H) 4 wood dowels



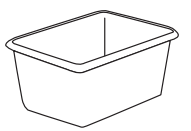
I) 4 wheels



J) 20 LG. screws



K) 16 SM. screws



L) 3 plastic bins

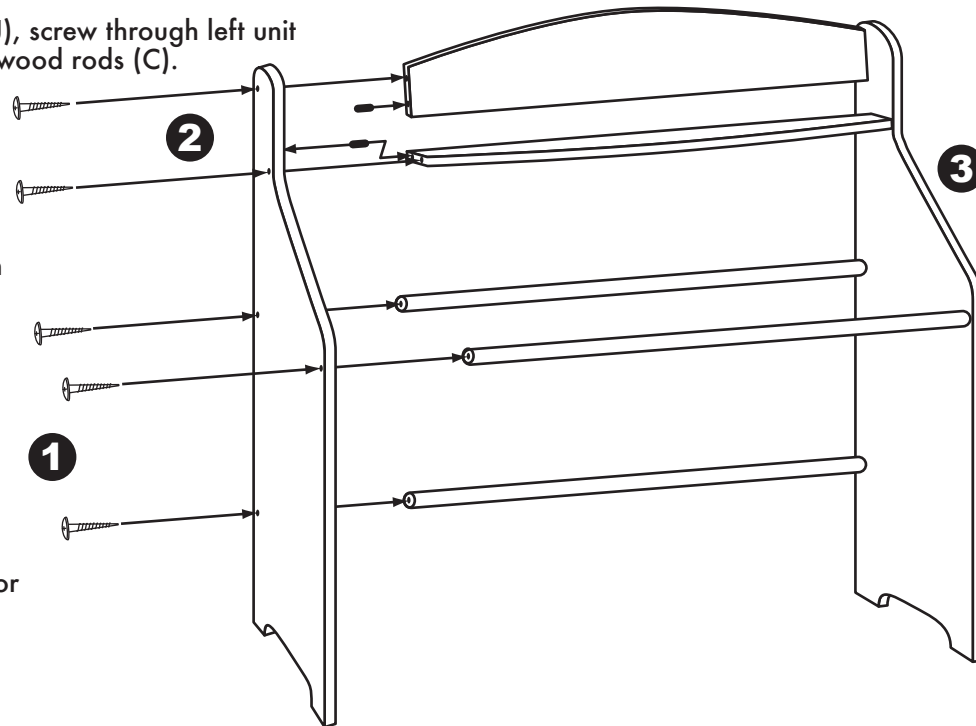
Please read instructions completely before assembling. Assemble on a soft, smooth area. Adult assembly required.

! WARNING: CHOKING HAZARD – Small parts NOT for children under 3 years.

1
Using large screws (J), screw through left unit panel holes (A) into wood rods (C).

2
Insert dowel (H) into large hole in end of shelf (B) and back board (B). Align with left unit end panel (A). Using large screws (J), screw through left unit panel holes (A) into both shelf (B) and back board (B).

3
Repeat steps 1 & 2 for right unit panel (A).



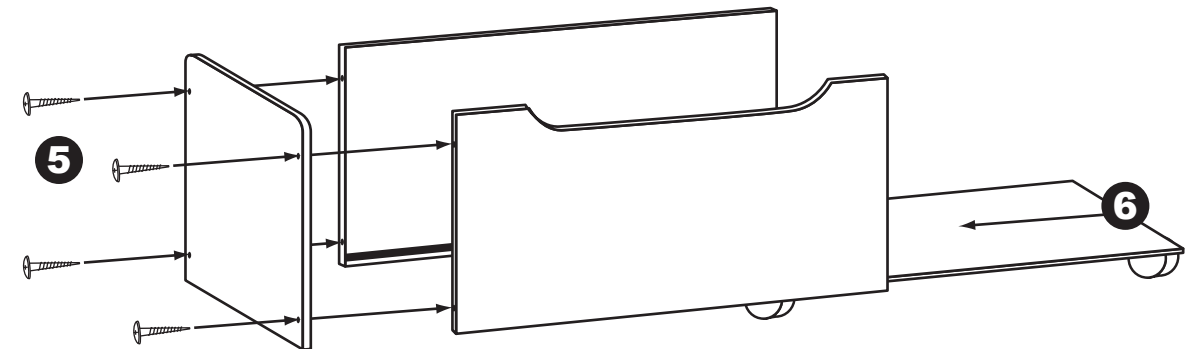
4
Align wheel (I) with holes in toy box bottom (D). Using 4 small screws (K), screw wheel to toy box bottom.

Repeat for remaining 3 wheels.



5
Align 1 toy box side (G) with toy box back (E) and toy box front (F) – grooves facing inside box. Using large screws (J), screw through holes in toy box side (G) into both back and front panels.

6
Slide assembled toy box bottom (D) – wheels down – into grooves.



7
Repeat step 4.

Cleaning

Use only household soap or mild detergent and warm water. Wipe with damp cloth.

