

Tot Tutors, Inc.  
www.tottutors.com

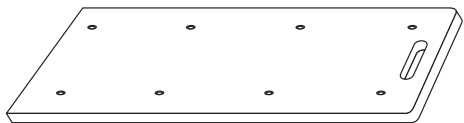
561 . 995 . 8940  
email : info@tottutors.com  
6600 West Rogers Circle . Suite 13  
Boca Raton . Florida . 33487

# WO560 - WO560E - WO560P - WO560W - WO562 Toy Organizer

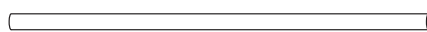
JAN12DS  
Made in Taiwan

Recommended for ages 3 - 8 years

This model is in compliance with ASTM toy safety standard F963 & CPSIA 2008



**A) 2 end panels**



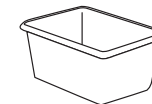
**B) 8 metal rods**



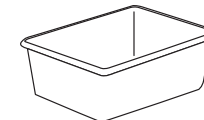
**C) 20 screws**



**D) 2 stabilizing braces**



**E) 8 single size bins**



**F) 4 double size bins**

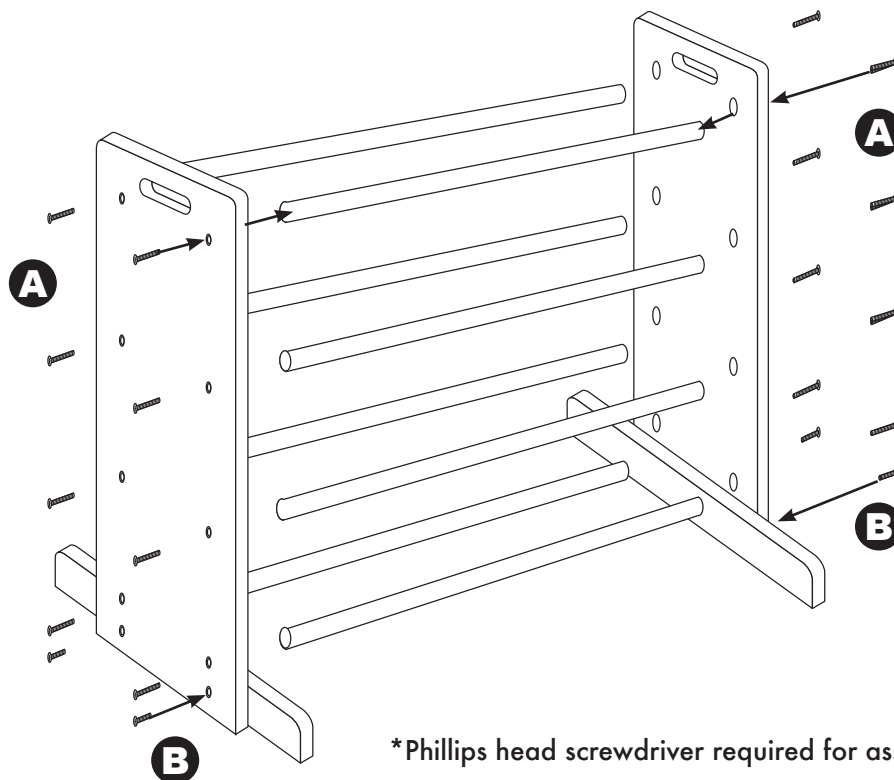
**! WARNING: CHOKING HAZARD** – Small parts NOT for children under 3 years. Please read instructions completely before assembling. Assemble on a soft, smooth area. Adult assembly required.

## 1A

Using screws (C), screw\* through end panel holes (A) into metal rods (B).

## 1B

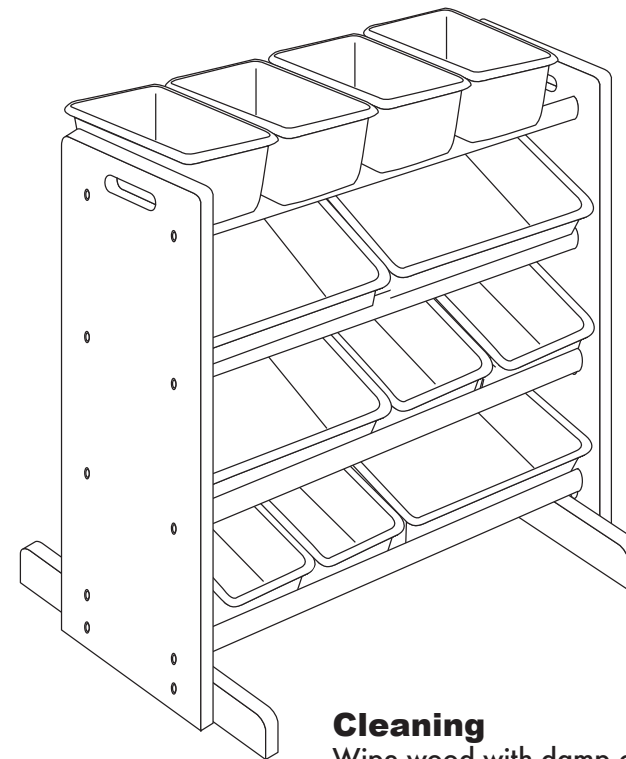
Using screws (C), screw\* through bottom holes of end panel (A) into stabilizing brace (D).



\*Phillips head screwdriver required for assembly.

## 2

Place bins (E & F) onto rods of assembled rack. Bins may be laid flat or tilted for easy viewing.



## Cleaning

Wipe wood with damp cloth.  
Wash plastic with mild dish soap.  
Do NOT place in dishwasher.