

PORCHER®

ASSEMBLY & INSTALLATION INSTRUCTIONS

LUTEZIA 24"-27" & POMEZIA 24"-27" WALL MOUNT PEDESTAL LAVATORY

PEDESTAL LAVATORY KITS:

LUTEZIA 24" KIT #24528, LUTEZIA 27" KIT #24508,
POMEZIA 24" KIT #24538, POMEZIA 27" KIT #24518

INTRODUCTION

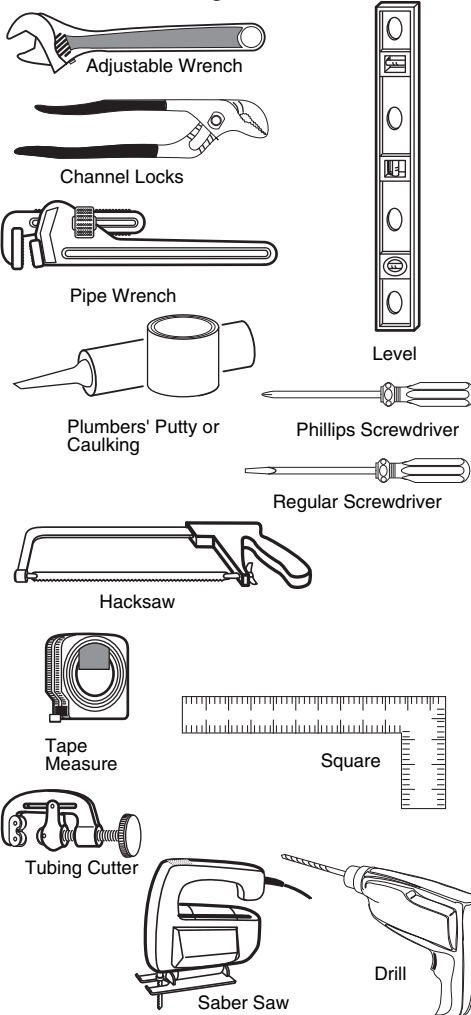
Thank you for selecting our Porcher product. To ensure that your installation proceeds smoothly, read these instructions carefully before you begin. Also, review the recommended tools and materials section. Carefully unpack and examine your new plumbing fixture.

ALL INSTALLATION PROCEDURES MUST COMPLY IN STRICT ACCORDANCE WITH APPLICABLE LOCAL PLUMBING AND BUILDING CODES



Recommended Tools & Materials

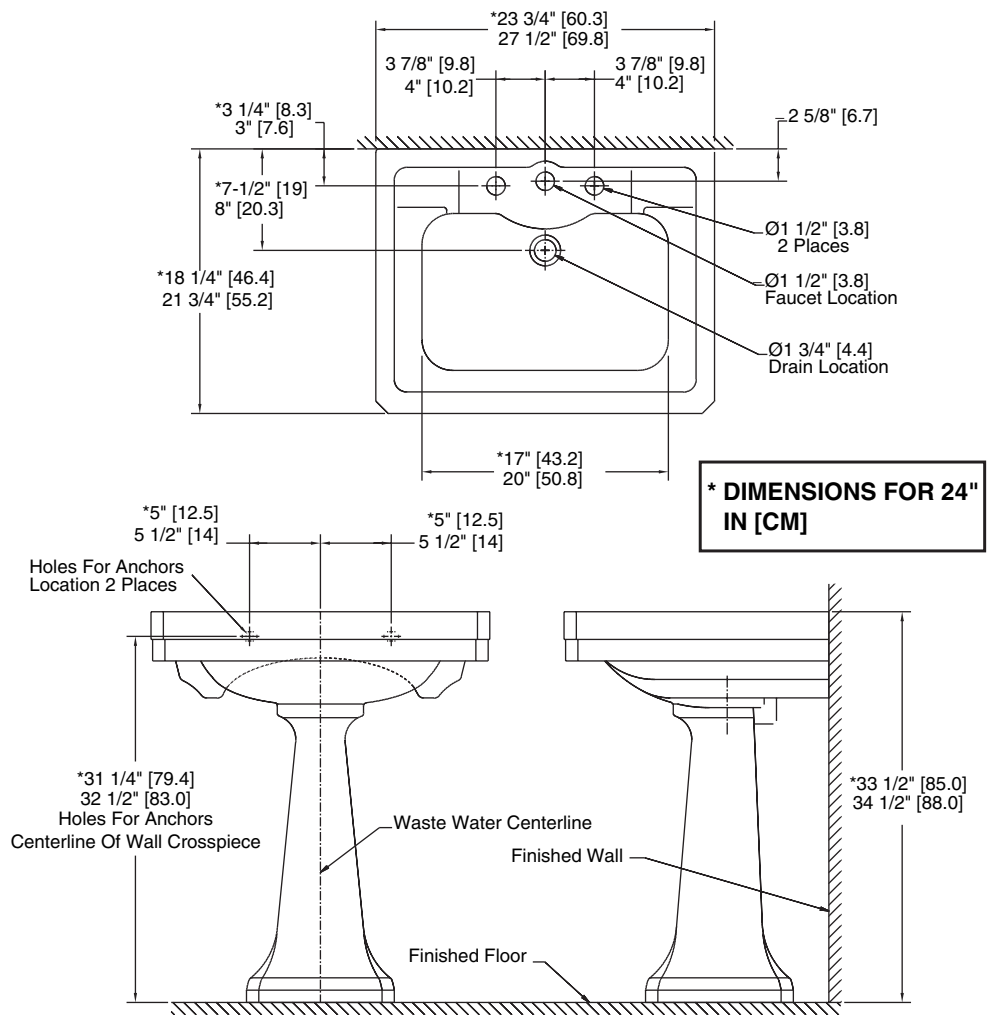
Most of the procedures require the use of common tools and materials, which are available from hardware and plumbing, supply stores. It is essential that the tools and materials be on hand before work is begun.



ROUGH-IN DIMENSIONS

LUTEZIA LAVATORY 24"-27"

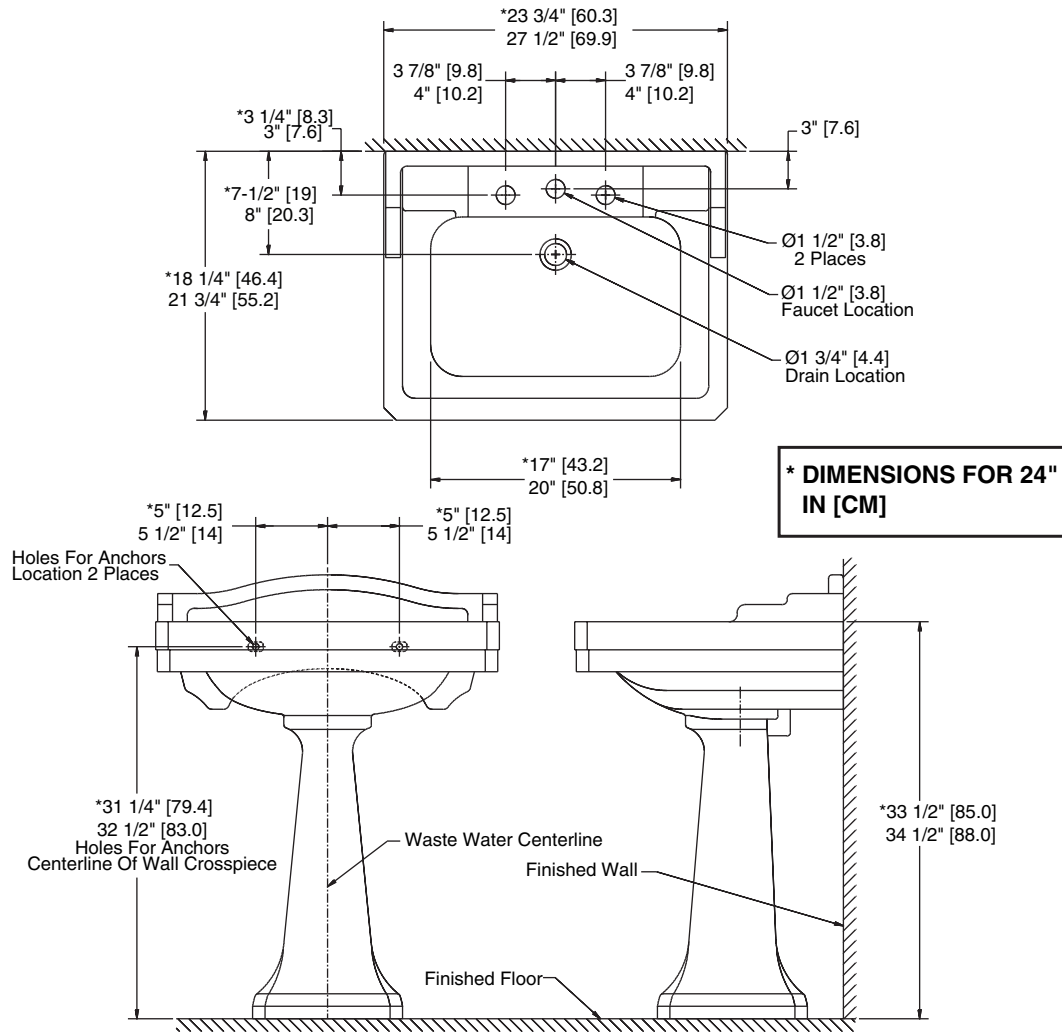
Dimensioning diagrams are provided for each lavatory. Note: dimensions are nominal and may vary within the range of manufacturing tolerances. Dimensions given are for both 24" and 27" lavatories except where noted.



ROUGH-IN DIMENSIONS

POMEZIA LAVATORY 24"-27"

Dimensioning diagrams are provided for each lavatory. Note: dimensions are nominal and may vary within the range of manufacturing tolerances. Dimensions given are for both 24" and 27" lavatories except where noted.



REPLACEMENT USE

Note: When replacing an original unit ensure you shut off water supply before removing the unit or disconnecting water supply lines and rain fittings. Original supply lines and shutoff valves should be replaced and used with fittings and adapters to match hookups on the replacement unit.

USE TEFLON SEALANT TAPE ON PIPE THREADS FOR WATERTIGHT CONNECTIONS!

1

INSTALLATION PROCEDURES

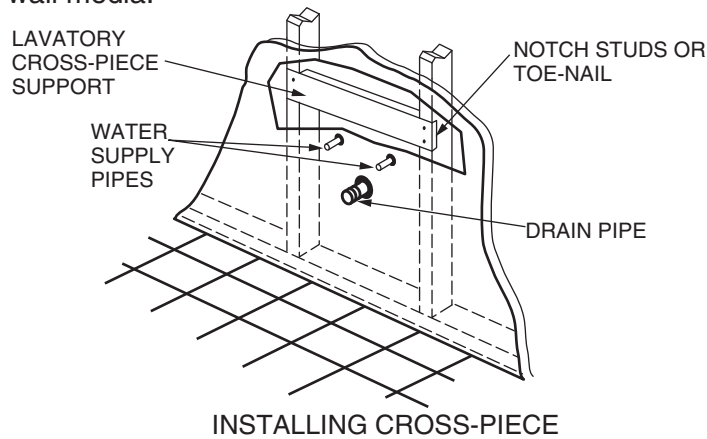
Typical installation includes wall preparation, installation of faucet and pop-up drain, supplies to house water system.

Lavatory Mounting Provisions - Whether the lavatory is used for replacement or new installation, the wall area behind the lavatory basin mounting holes must be reinforced to provide secure mounting for the new unit.

Preparing Wall for Lavatory Mounting

Optional: For non-masonry installation, crosspieces must be installed to reinforce the lavatory mounting surface to provide adequate support, install as described below.

1. Remove wallboard/covering from designated area.
2. Toenail 2" x 6" (51mm x 152mm) cross piece between studs (or notch studs to accept a 1" x 6" (25mm x 152mm) crosspiece, and attach securely). Refer to **Rough-In Diagrams** for dimensional location of horizontal crosspiece.
3. Replace wallboard/finished wall media.

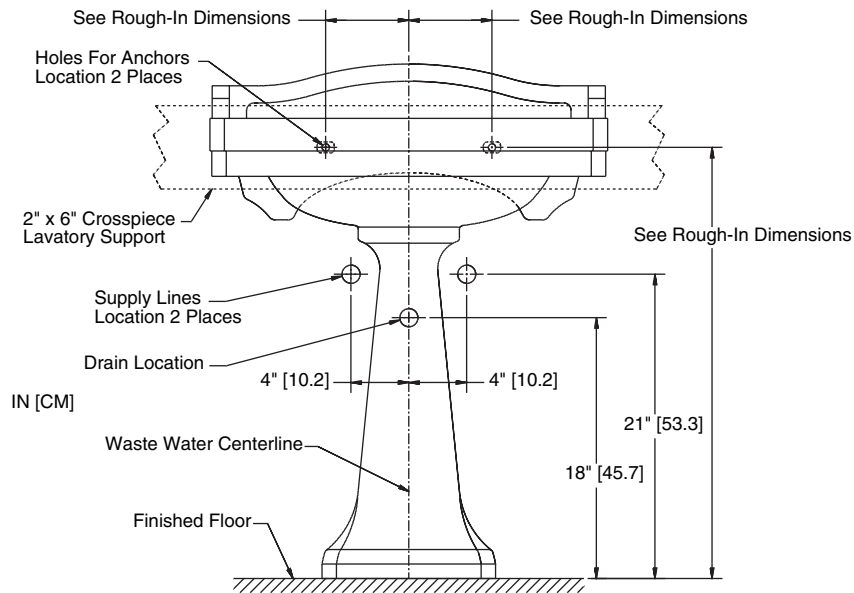


2

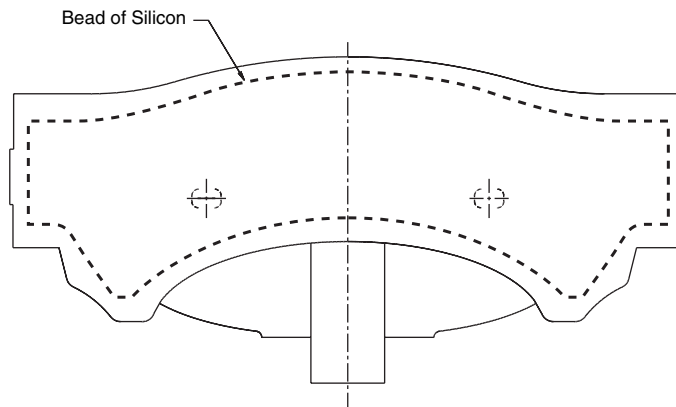
INSTALLING LAVATORY

CAUTION: Lavatories are extremely heavy. For personal safety, always use extra person for installation.

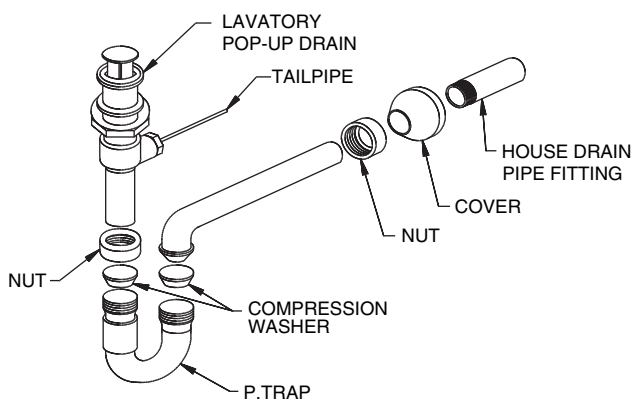
1. Using level, draw a vertical line starting at the waste water return hole. Draw a horizontal line at the required dimension from floor. Mark and drill holes at the specified locations along the horizontal line. See Diagram Below.



2. Apply a bead of silicon to the back of the lavatory. See Diagram Below.

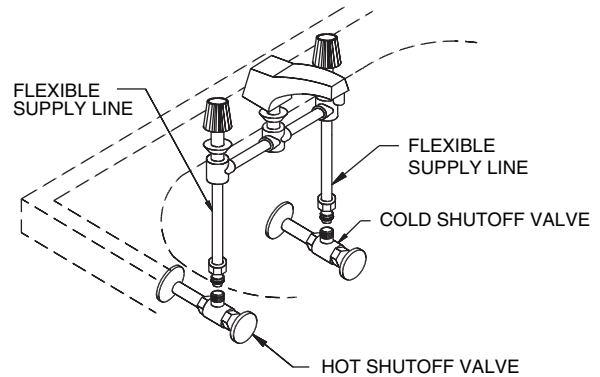


3. Pre-assemble P-trap drain connections in accordance with manufacturer's instructions. Check that pop-up drain opens and closes properly when drain control is operated. Connect supply lines to shutoff valves and loosely install drain connections.



TYPICAL DRAIN CONNECTIONS

SPREAD LAVATORY SET
TYPICAL APPLICATION

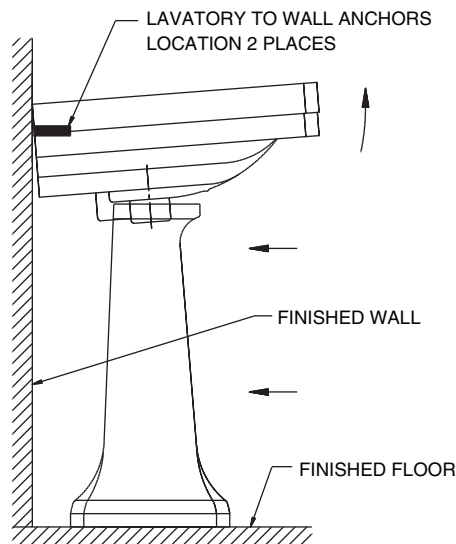


TYPICAL WATER SUPPLY LINE CONNECTIONS

4. Loosely attach the lavatory to the wall at the two anchor locations.

DO NOT OVER-TIGHTEN MOUNTING HARDWARE OR LAVATORY MAY BE DAMAGED!

Pedestal Installation Note: Do not tighten nuts at this time, in order to allow the lavatory to swing up enough to permit the insertion of the pedestal. Insert the pedestal under the lavatory. Ensure that the lavatory sits evenly against pedestal. Level lavatory side to side and front to rear, (place a sheet of tissue under level to protect lavatory), then securely tighten mounting nuts. See Diagram Below.



5. Install faucet and drain in accordance with manufacturer's instructions. Tighten drain and water supply connections. Turn on water supply valves and water-test installation.

3 CARE AND MAINTENANCE

Do not use harsh abrasives or caustic cleaners to clean fixture surfaces. A mild detergent, warm water, and a soft cloth will remove normal dirt and soap accumulations from fittings and surfaces. Rinse thoroughly after cleaning and polish with a soft dry cloth to restore original luster of material.

PORCHER ONE-YEAR LIMITED WARRANTY

If inspection of this Porcher plumbing product, within one year after its initial purchase, confirms that it is defective in materials or workmanship, Porcher will repair or, at its option, exchange the product for a similar model.

This warranty **does not apply** to local building code compliance. Since local building codes vary considerably, the purchaser of this product should check with a local building or plumbing contractor to insure local code compliance before installation.

This warranty **shall be void** if the product has been moved from its initial place of installation; if it has been subjected to faulty maintenance, abuse, misuse, accident or other damage; if it was not installed in accordance with Porcher's instructions; or if it has been modified in a manner inconsistent with the product as shipped by Porcher.

Porcher's option to repair or exchange the product under this warranty does not cover any labor or other costs of removal or installation, **nor shall Porcher be responsible for any other incidental or consequential damages attributable to a product defect or to the repair or exchange of a defective product, all of which are expressly excluded from this warranty.** (Some states or provinces do not allow the exclusion or limitation of implied warranties, so this exclusion may not apply to you.)

This warranty gives you specific legal rights. You may have other statutory rights that vary from state to state or from province to province, in which case this warranty does not affect such statutory rights.

For service under this warranty, it is suggested that a claim be made through the contractor or dealer from or through whom the product was purchased, or that a service request (including a description of the product model and of the defect) be sent to the following address:

In the United States:

Porcher
P.O. Box 6820
Piscataway, New Jersey, 08855
Attention: Director of Consumer Affairs

For residents of the United States, warranty information may also be obtained by calling the following toll free number: (800) 359-3261

In Canada:

Porcher
2480 Stanfield Road
Mississauga, Ontario
Canada L4Y 1S2

Toronto Area: (905) 306-1093
Toll Free: (800) 387-0369

In Mexico:

Porcher
Planta Santa Clara
Via Morelos #330
Santa Clara Coatitla
Ecatepec de Morelos 55540,
Estado de Mexico, Mexico