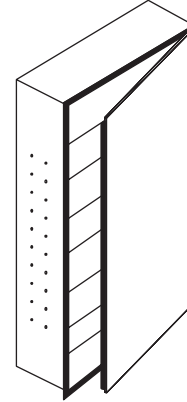


### Features

- Recess or surface mount
- Mirrored doors and interior, matte silver interior
- 3-way adjustable concealed hinge system
- SAFESEAL™ gasket frame
- Patented swing-out magnifying mirror
- Rust-free aluminum construction
- Can be installed as a left- or right-hand door swing
- Three adjustable glass shelves
- 23-1/4" (59.1 cm) x 30" (76.2 cm) x 4-5/8" (11.7 cm)

**MT24D4FBN**  
ALSO MT24D4FPN



### Codes/Standards Applicable

Specified model meets or exceeds the following:

- None applicable

### Specified Model

Model	Description	
MT24D4FBN	Beveled edge	<input type="checkbox"/>
MT24D4FPN	Plain edge	<input type="checkbox"/>
<b>NOTE:</b> Hardware required for installing cabinets side-by-side is included.		
<b>Required Accessories - For Surface-Mount Installations Only</b>		
MTSK30D4	Plain mirror side kit	<input type="checkbox"/>
M30SKD4A	Aluminum side kit	<input type="checkbox"/>
Refer to the Price Guide for additional side kit colors and finishes		
<b>Required Accessories - For Multiple Cabinets Installed or Stacked Vertically Only</b>		
MSF__S	Stack filler for surface-mounted cabinet installations	<input type="checkbox"/>
MSF__R	Stack filler for recessed cabinet installations	<input type="checkbox"/>
MSF__D2	Stack filler for partially recessed cabinet installations	<input type="checkbox"/>
Follow MSF with width of full cabinet array plus any installed lights when ordering. For example, MSF <b>49.5 S</b> is stack filler for two surface-mounted 24" (61 cm) cabinets and one kit of 1-1/2" (3.8 cm) lights [23-1/4" (59.1 cm) + 23-1/4" (59.1 cm) + 1-1/2" (3.8 cm) + 1-1/2" (3.8 cm)].		
<b>Optional Accessories</b>		
SLB24D4	Safety-lock box	<input type="checkbox"/>
Frames, light options, and additional accessories are also available. Refer to the Price Guide for more information.		

# M SERIES FLAT DOOR CABINET

## Technical Information

Roughing-in opening	22-1/2" (57.2 cm) x 29-1/4" (74.3 cm) x 4" (10.2 cm)
Door opening angle	170°

## Installation Notes

Install this product according to the installation guide.

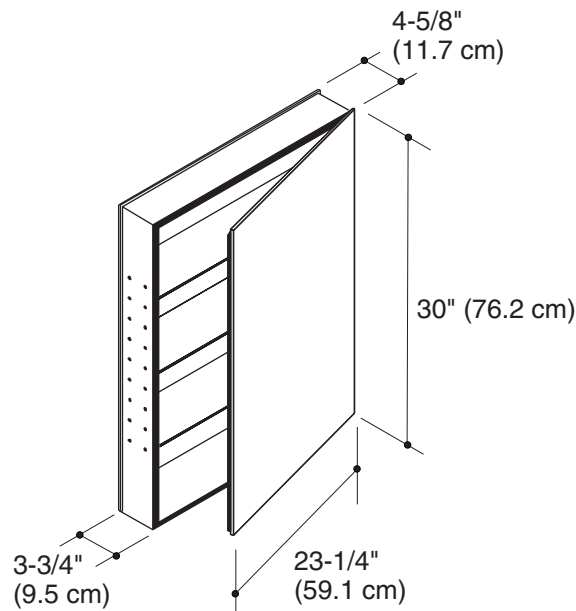
When determining the height of the mirrored cabinet, ensure the mirrored door will clear all obstacles, such as a faucet. A minimum distance of 1" (2.5 cm) is required.

Secure the screws (provided) to a stud to avoid possible property and product damage. If this is not possible, anchors (provided) must be inserted before installing the screws.

Modular components can be joined horizontally and vertically offering unlimited storage space. When ganging cabinets: rough opening width/height = total width/height of all cabinets and lights minus 3/4" (1.9 cm).

Stack filler is required for vertical stacking.

Recessed cabinets project 7/8" (2.2 cm) from wall.



## Product Diagram