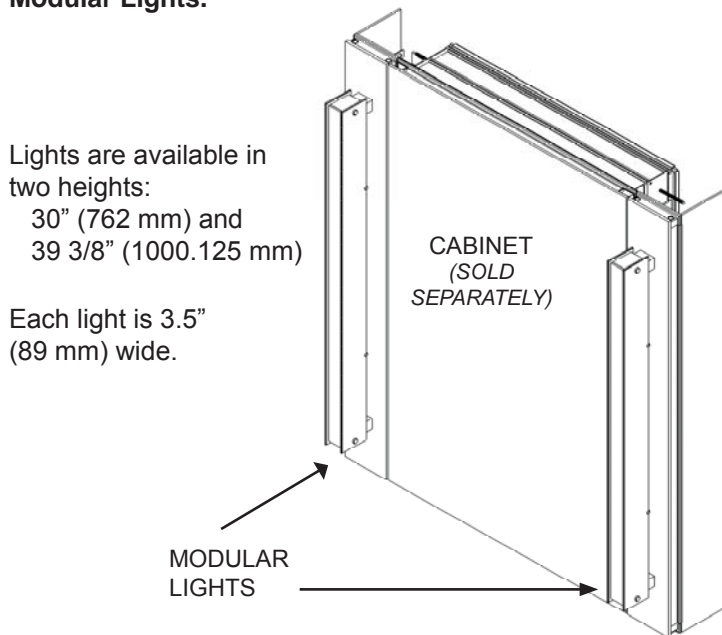


## REFLEXION™ MP/MT3.5T5 MODULAR LIGHTS INSTALLATION INSTRUCTIONS

This instruction sheet contains information on how to install Reflexion™ MP3.5T5 and MT3.5T5 Modular Lights.



**NOTE:** For information on installing cabinets, see the Installation Instructions included with the cabinets.

When installing the lights, follow these steps:

1. Read the "General Notes" section below.
2. Read "Determining Dimensions" on page 2.

**WARNING:** To prevent damage to lights and/or cabinet doors due to collision: before starting the installation of the lights, install the provided Hinge Clips (see the Parts List on page 11). Snap the Hinge Clip over the elbow of the hinge into the holes located on the cabinet hinge. See the cabinet Installation Instructions for more information.

3. Read the specific instructions for installing your lights. They can be mounted in the following ways:
  - Recess mounted (see "Installing the Lights with a Recess Mounted Cabinet" on page 3)
  - Surface mounted (see "Installing the Lights with a Surface Mounted Cabinet" on page 5)
  - Gang mounted (see "Installing the Lights with Gang Mounted Recessed Cabinets" on page 6)
4. Read "Wiring the Light Fixture" on page 8. Note that wiring is a two-step process. First the wiring is supplied to the Ballast Box and then the Front Glass Assembly is wired to the Ballast Box.
5. Read "Installing Lamps and Glass Panels" and "Adjustments and Maintenance" on page 10.

### General Notes

Unpack the lights. Check the box thoroughly for all hardware and loose parts as follows:

- Mirrored Lights
- Fluorescent Lamps
- Light Sides
- Hardware Bag
- Mounting Hardware

Make sure that you have all the contents listed above and in the **Parts List** on page 11.

The lights are designed to attach to Robern MP/MT Cabinets. For more information about installing cabinets, see the instructions that are shipped with the cabinets.

The MP3.5T5 accepts 21W T5 Fluorescent lamps.  
The MT3.5T5 accepts 14W T5 Fluorescent lamps.

**This fixture cannot be used with a dimmer switch.**

This fixture adds 3.5" (89 mm) or 7" (178 mm) per pair to the overall width of a cabinet installation. Refer to the dimension information on page 2 to calculate overall sizes and wall openings for recessed combinations.

These lights are UL or CUL listed for damp locations. Save these instructions for future use and reference.

An improper installation voids the warranty. Installed lights cannot be returned.

If you experience any problems with your light, contact your dealer or Robern directly.

**Robern • 701 N. Wilson Ave • Bristol, PA 19007  
1-800-877-2376 • FAX 1-215-826-9666**

*Limited Warranty -- One Year Term (see page 12)*

## Determining Dimensions

The MP/MT3.5T5 lights are modular and can be installed in many different combinations with the MP/MT Series cabinets. The overall size of the cabinets and lights is determined by the overall dimensions of the assembled units. Before cutting any holes in the wall, determine the overall dimensions.

See Figure A for an example (using an MT16D4FBN cabinet and MT3.5T5 light) that shows the overall dimensions and the rough opening dimensions.

### Determining Width:

1. Determine the front width of the cabinet/lights. Add 3 1/2" (89 mm) for each light; 7" for the pair of lights (178 mm).

#### COMBINED WIDTHS for 2 LIGHTS/1 CABINET:

MP16 or MT16 = 22 1/4" (565.15 mm) wide

MP20 or MT20 = 26 1/4" (666.75 mm) wide

MP24 or MT24 = 30 1/4" (768.35 mm) wide

2. If you are combining multiple cabinets and lights, add widths for each cabinet and light to determine overall width.
3. **Subtract 3/4" (19.05 mm) from the total width to determine the horizontal length of the rough opening.**

**NOTE: This dimension must be strictly followed in order for cabinet and lights to install properly.**

### Determining Height:

1. Determine the front height of the cabinet/light combination.

#### COMBINED LIGHTS/CABINET HEIGHTS:

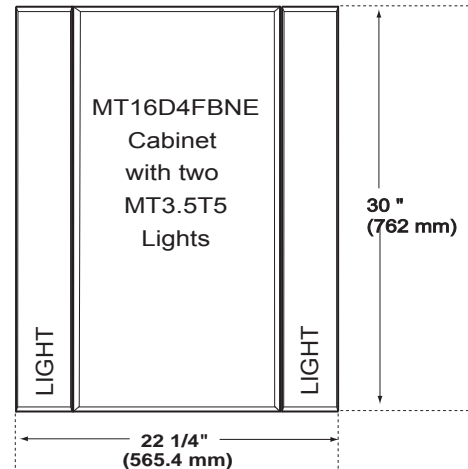
MT Flat Top = 30" (762 mm) high

MP Flat Top = 39 3/8" (1000.125 mm) high

2. **Subtract 3/4" (19.05 mm) from the height to determine the vertical height of the rough opening.**

**NOTE: This dimension must be strictly followed in order for cabinet and lights to install properly.**

**Figure A:  
EXAMPLE OF OVERALL DIMENSIONS**



### ROUGH OPENING DIMENSIONS

Height: 29 1/4" (30" - 3/4")

742.9 mm (762 mm - 19.1 mm)

Width: 21 1/2" (22 1/4" - 3/4")

546.3 mm (565.4 mm - 19.1 mm)

## Installing the Lights with a Recess Mounted Cabinet

### IMPORTANT!

The rough opening must be framed on all four sides and at least 3 3/4" (95.25 mm) deep for D4 cabinets, 5 3/4" (146.05 mm) for D6 cabinets, and 7 3/4" (196.85 mm) deep for D8 cabinets (when fully recessed).

When recess mounting, the lights are first attached to the cabinets, then removed, and then the cabinet is installed into the wall. Next, the wiring is completed, and then the lights are re-attached to the cabinets.

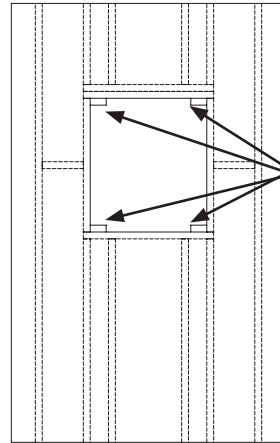
**NOTE:** One light fixture is the "Master" — it has a Ballast Box; the other light is the "Remote" and does not have a Ballast Box. See "Wiring the Light Fixture" on page 8 for more information.

1. See "Determining Dimensions" on page 2 to determine your rough opening. Follow the instructions provided with the cabinets to prepare the rough opening. Add 2x4 blocks of lumber to the opening as shown in Figure B.
2. Prepare your wire connections (see step 1 in "Wiring the Light Fixture" on page 8 for information).
3. Mount the supplied Connecting Blocks (R065027EM) to each side of the cabinet (for ease of installation we recommend that you first "pre-screw" the supplied screws into the Connecting Blocks, then temporarily remove them). Using the supplied #10 x 1/2" screws (SS676), attach a Connecting Block to the top and bottom of the right side of the cabinets as shown in Figure C. Repeat for the left side.

**NOTE:** If you are installing the lights *between two cabinets*, a separate "gang" kit should be purchased. The ganging kit's connecting blocks will be substituted for the connecting blocks that are supplied with the lights in a "gang" installation only.

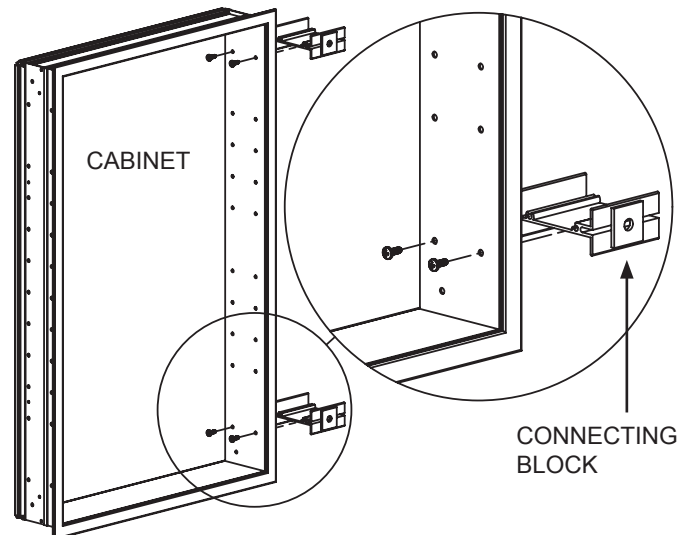
4. Disassemble both light fixtures by removing the two screws (top and bottom for each light) and then the Ballast Box side panel as shown in Figure D. (Note that the Remote light fixture does not have a Ballast Box.)

### Figure B: ROUGH OPENING

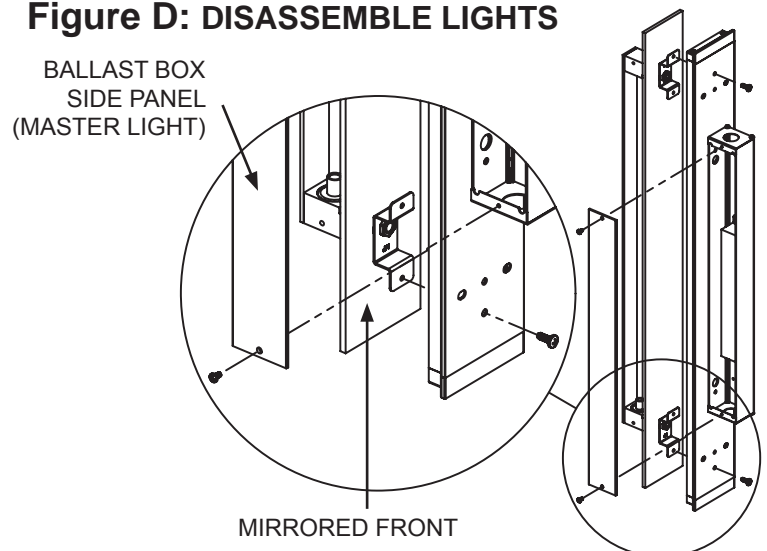


Install a 2x4 block in each corner of the rough opening. The cabinets are screwed into the blocks.

### Figure C: CONNECTING BLOCKS



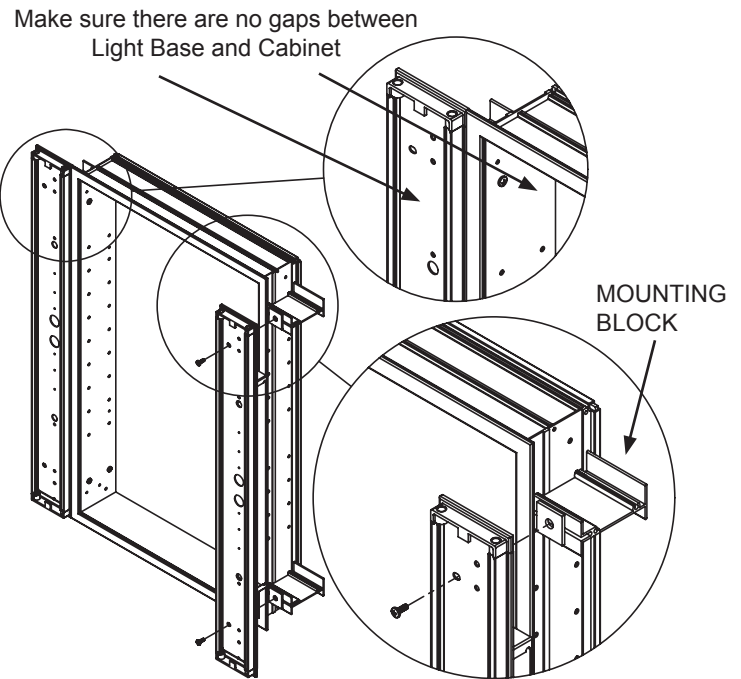
### Figure D: DISASSEMBLE LIGHTS



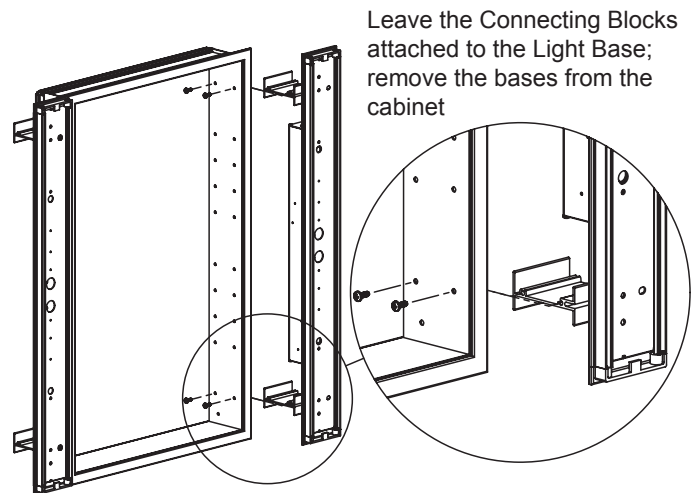
## Installing the Lights with a Recess Mounted Cabinet *(continued)*

5. Using the supplied #10 x 5/8" screws (SS584), attach both light bases to the Mounting blocks as shown in Figure E. Make sure that the light bases are firm against the rubber gasket of the cabinets and there is no gap between the light base and the cabinet as shown. Install screws through the two holes on each light as shown in Figure E.
6. Once the lights are aligned to the cabinet, they must be temporarily removed so the wiring can be completed. Remove the screws (two top and two bottom on each light) that secure the connecting blocks to the cabinet sides as shown in Figure F. Leave the Connecting Blocks attached to the light bases and remove the bases from the cabinet.
7. Place cabinet into the rough opening. Using the screws supplied with your cabinet, drive one screw approximately *halfway* through one upper corner and one opposite lower corner of the cabinet into the 2x4 blocks of lumber (as shown in Figure G). (For more information see the Installation Instructions provided with the cabinet.) This allows the cabinet to be shifted left/right to aid in the installation of the lights.
8. Wire each light base. See steps 2-5 in "Wiring the Light Fixture" on page 8 for more information.
9. Reassemble each light by reversing the instructions in step 4 and Figure D on page 3.
10. Reattach the light base by reversing the instructions in step 6 and Figure F.
11. Make sure cabinet is centered, level, and plumb, and then tighten the screws used in step 7. Attach the other corners of the cabinet to the 2x4 blocks of lumber using the remainder of the screws provided.
12. See "Installing Lamps and Glass Panels" on page 10 to complete your installation.

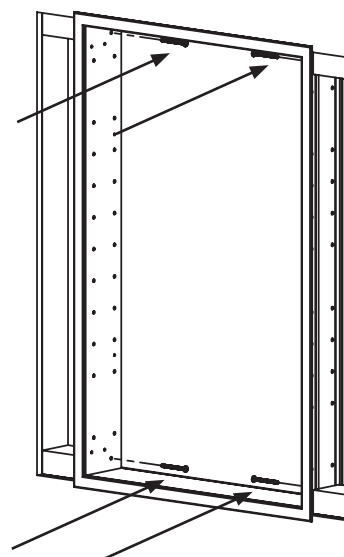
**Figure E: MOUNT LIGHT TO CABINET**



**Figure F: REMOVE LIGHT FROM CABINET**



**Figure G: CABINET INSTALLED**



**NOTE:**  
The screws go through the cabinet's four corners to attach it to the 2x4 blocks.

### NOTE ABOUT PARTIALLY RECESSED CABINETS/LIGHTS

When partially recessing the cabinets and lights (for example, installing the 6" (152.4 mm) deep cabinet into a 4" (101.6 mm) deep opening), follow the instructions provided with the MPSK40-D2 or D4 Side Kit and see "Mounting the Side Kit" on page 8.

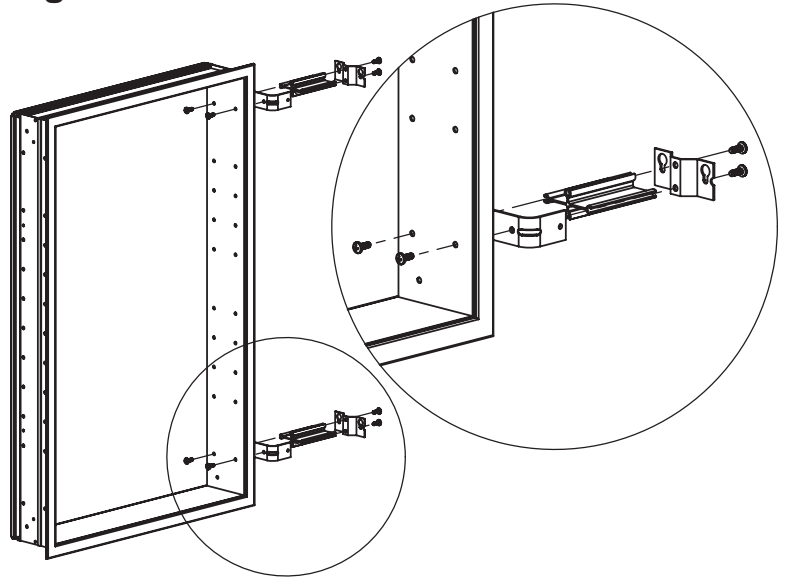
## Installing the Lights with a Surface Mounted Cabinet

1. Mount your cabinets as shown in the instructions provided with the cabinet.
2. Attach the L Brackets (SS564), Cross Brackets (R0600300M), and Keyhole Brackets (R055011QM) as shown in Figure H, using the supplied #10 x 1/2" screws (SS676). For ease of installation, it is recommended that you first "pre-screw" the supplied screws into the brackets, and then remove them.

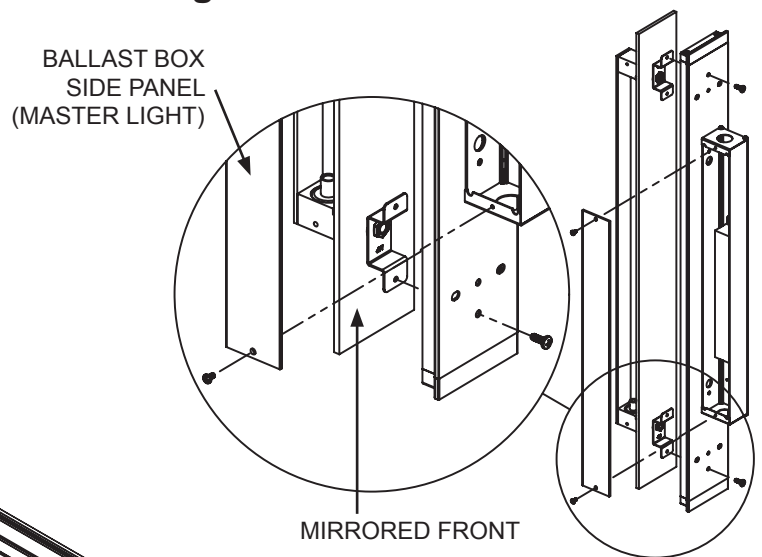
**NOTE:** If you are installing the lights *between two cabinets*, a separate "gang" kit should be purchased. The "ganging" kit's Connecting Blocks will be substituted for the L Brackets, Cross Brackets, and Keyhole Brackets that are supplied with the lights.

3. Disassemble both light fixtures by removing the two screws (top and bottom for each light) and then the Ballast Box side panel as shown in Figure I. (Note that the Remote light fixture does not have a Ballast Box.)
4. Wire each light base. See "Wiring the Light Fixture" on page 8 for more information.
5. Using the supplied #10 x 5/8" screws (SS584), attach both light bases to the brackets as shown in Figure J. Make sure that the light bases are firm against the rubber gasket of the cabinets and there is no gap between the light base and the cabinet as shown.
6. Reassemble each light by reversing the instructions in step 3.
7. See "Installing Lamps and Glass Panels" on page 10 to complete your installation.

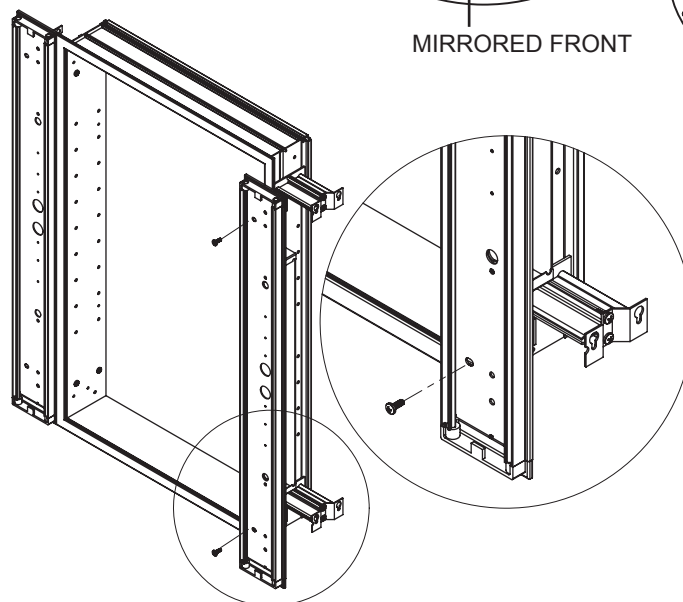
**Figure H: ATTACH BRACKETS**



**Figure I: DISASSEMBLE LIGHTS**



**Figure J: ATTACH LIGHTS TO BRACKETS**



## Installing the Lights with Gang Mounted Recessed Cabinets

### IMPORTANT!

The rough opening must be framed on all four sides and at least 3 3/4" (95.25 mm) deep for D4 cabinets, 5 3/4" (146.05 mm) for D6 cabinets, and 7 3/4" (196.85 mm) deep for D8 cabinets (when fully recessed).

**NOTE:** If you are installing the lights *between two cabinets*, a separate "gang" kit should be purchased. The "ganging" kit's connecting blocks will be substituted for the connecting blocks that are supplied with the lights in a "ganged" installation only.

When gang mounting, the lights are first attached to the cabinets, then removed, and then the cabinets are installed into the wall. Next, the wiring is completed, and then the lights are re-attached to the cabinets.

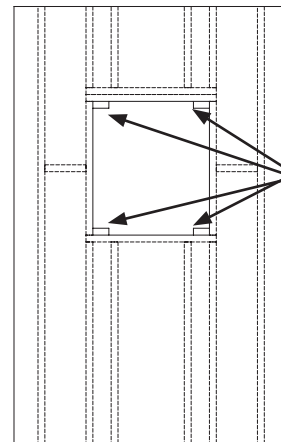
**NOTE:** One light fixture is the "Master" — it has a Ballast Box; the other light is the "Remote" and does not have a Ballast Box. See "Wiring the Light Fixture" on page 8 for more information.

1. See "Determining Dimensions" on page 2 to determine your rough opening. Follow the instructions provided with the cabinets to prepare the rough opening. Add 2x4 blocks of lumber to the opening as shown in Figure K.
2. Prepare your wire connections (see step 1 in "Wiring the Light Fixture" on page 8 for information).

**NOTE:** For mounting cabinets *between lights*, go to step 3, then skip step 4; for mounting *lights on the outside* of cabinets, go directly to step 4.

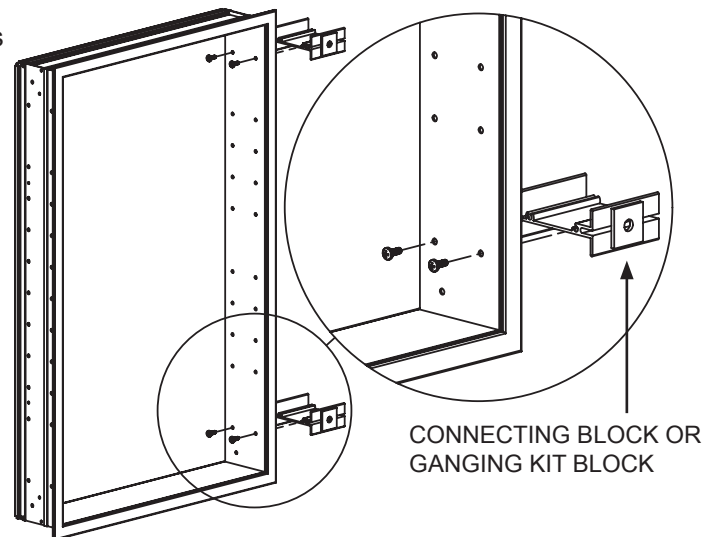
3. Using the Ganging kit blocks (R065047EM) supplied with your Gang kit (sold separately), mount two Ganging kit blocks to the side of the first cabinet (for ease of installation we recommend that you first "pre-screw" the supplied screws into the Ganging Kit Blocks, then temporarily remove them). Using the supplied #10 x 1/2" (SS676) screws, attach a Ganging Kit Block to the top and bottom of the side of the cabinets as shown in Figure L. Using the same procedure, connect the next cabinet to the Ganging Kit Blocks. Repeat this procedure to connect additional cabinets.
4. Using the supplied #10 x 1/2" (SS676) mount two Connecting Blocks to each side of the cabinet (for ease of installation we recommend that you first "pre-screw" the supplied screws into the Connecting Blocks, then temporarily remove them). Using the supplied screws, attach a Connecting Block to the top and bottom of the right side of the cabinets as shown in Figure L. Repeat for the left side.
5. Disassemble both light fixtures by removing the two screws (top and bottom for each light) and then the Ballast Box side panel as shown in Figure M. (Note that the Remote light fixture does not have a Ballast Box.)

Figure K: ROUGH OPENING



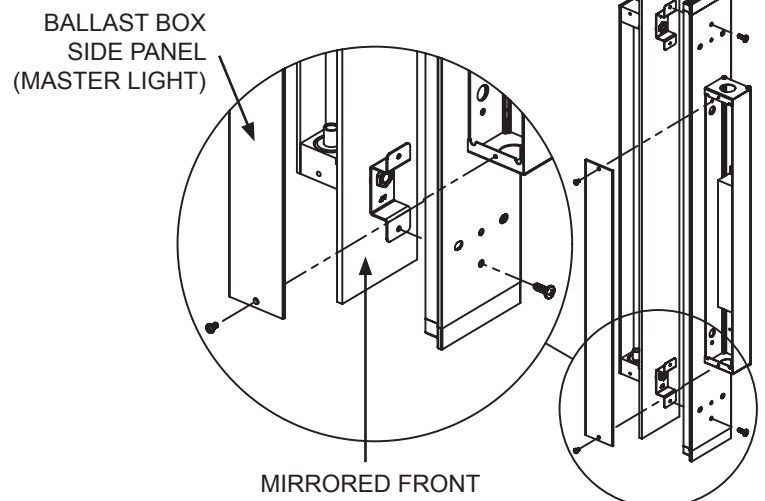
Install a 2x4 block in each corner of the rough opening. The cabinets are screwed into the blocks.

Figure L: CONNECTING BLOCKS



CONNECTING BLOCK OR GANGING KIT BLOCK

Figure M: DISASSEMBLE LIGHTS



## Installing the Lights with Gang Mounted Recessed Cabinets

(continued)

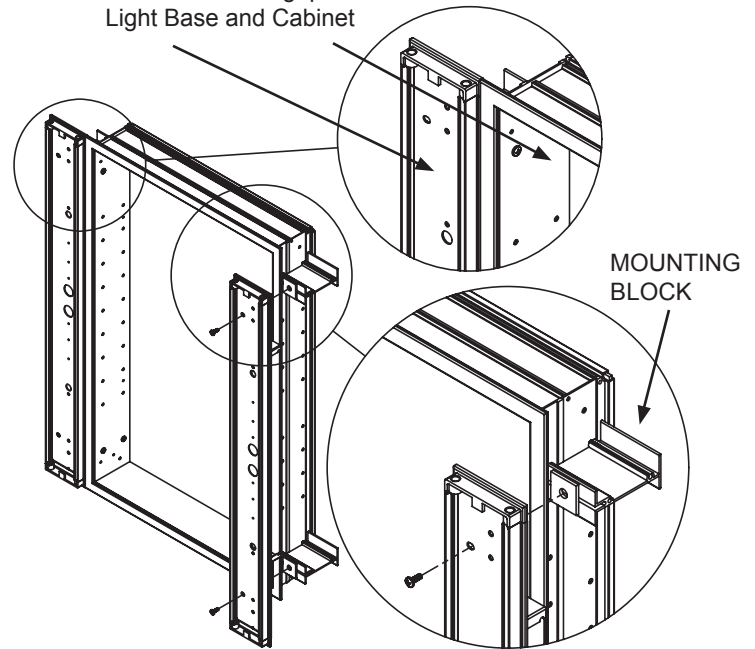
6. Using the supplied #10 x 5/8" (SS584) screws, attach light bases to the Mounting blocks as shown in Figure N. Make sure that the light bases are firm against the rubber gasket of the cabinets and there is no gap between the light base and the cabinet as shown. Install screws through the two holes on each light as shown in Figure N.
7. Once the lights are aligned to the cabinet, they must be temporarily removed so the wiring can be completed. Remove the screws (two top and two bottom on each light) that secure the connecting blocks to the cabinet sides as shown in Figure O. Leave the Connecting and Ganging Blocks attached to the light bases and remove the bases from the cabinet.
8. Start installing the cabinets from the center, then move to the left or right. Cut 2x4 blocks of lumber to 4 1/8" (104.8 mm) and attach them to the header and footer. The cabinets are then attached to these. See Figure K on page 6.
9. Continue installation as described in the Gang Mounting section of the cabinet Installation Instructions.
10. Wire each light base. See steps 2-5 in "Wiring the Light Fixture" on page 8 for more information.
11. Reassemble each light by reversing the instructions in step 5 and Figure M on page 6.
12. Reattach the light base by reversing the instructions in step 7 and Figure O.
13. See "Installing Lamps and Glass Panels" on page 10 to complete your installation.

### NOTE ABOUT PARTIALLY RECESSED CABINETS/LIGHTS

When partially recessing the cabinets and lights (for example, installing the 6" (152.4 mm) deep cabinet into a 4" (101.6 mm) deep opening), follow the instructions provided with the MPSK40-D2 or D4 Side Kit and see "Mounting the Side Kit" on page 8.

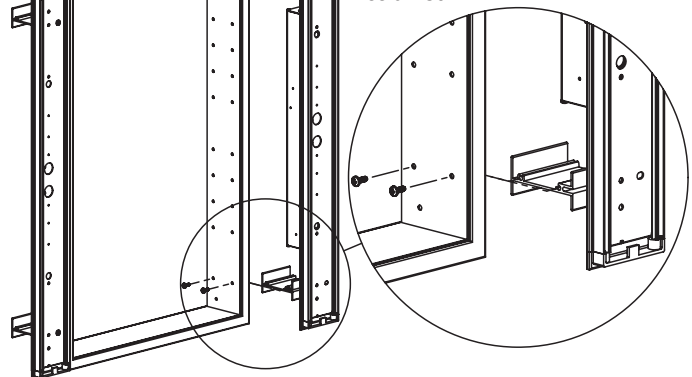
## Figure N: MOUNT LIGHT TO CABINET

Make sure there are no gaps between Light Base and Cabinet



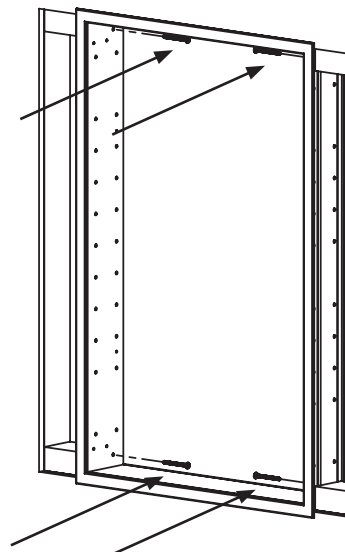
## Figure O: REMOVE LIGHT FROM CABINET

Leave the Connecting Blocks attached to the Light Base; remove the bases from the cabinet



## Figure P: CABINET INSTALLED

NOTE:  
The screws go through the cabinet's four corners to attach it to the 2x4 blocks.

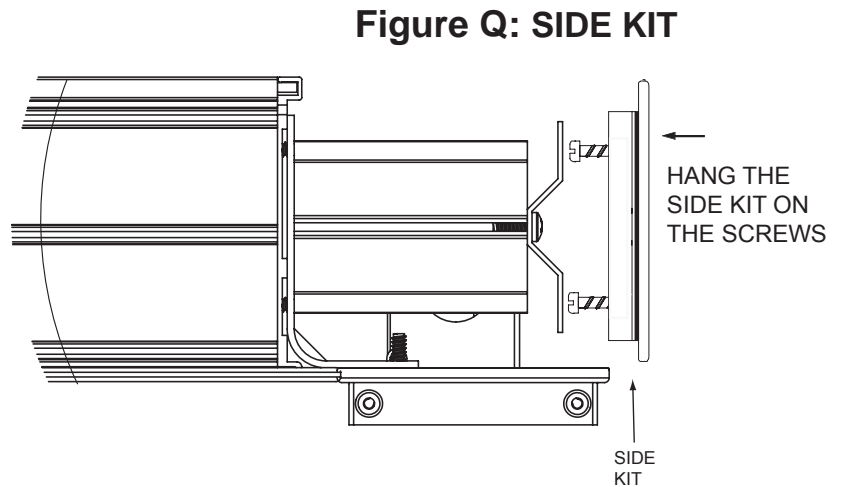


## Mounting the Side Kit

The Side Kit is purchased separately from the lights. It is used to finish the sides of a surface mounted or partially recessed light.

To install the Side Kit:

1. Attach the Side Kits by aligning the screw heads of the screws in the Side Kit with the holes of the Keyhole Brackets that were installed earlier. See Figure Q.



## Wiring the Light Fixture

### **DANGER:**

To reduce the risk of electrical shock, shut off power before wiring the lights.

### **CAUTION:**

Grounding instructions for permanently connected products: This product must be connected to a grounded, metal permanent wiring system or an equipment-grounding conductor must be run with the circuit conductors and connected to the equipment-grounding terminal or lead on the product.

All wiring should be done by a qualified licensed electrician.

### **IMPORTANT:**

Power for the lights should be provided **separately** from the electricity to the cabinet so that when lights are turned off, cabinet electricity remains on.

### **NOTE:**

Requires 120 VAC 20 amp circuit.

### **WARNING:**

The lights must be wired to a 20 Amp GFI (Ground Fault Interrupter) circuit breaker when used in bathrooms and all other locations required by the National Electric Code.

### **WARNING:**

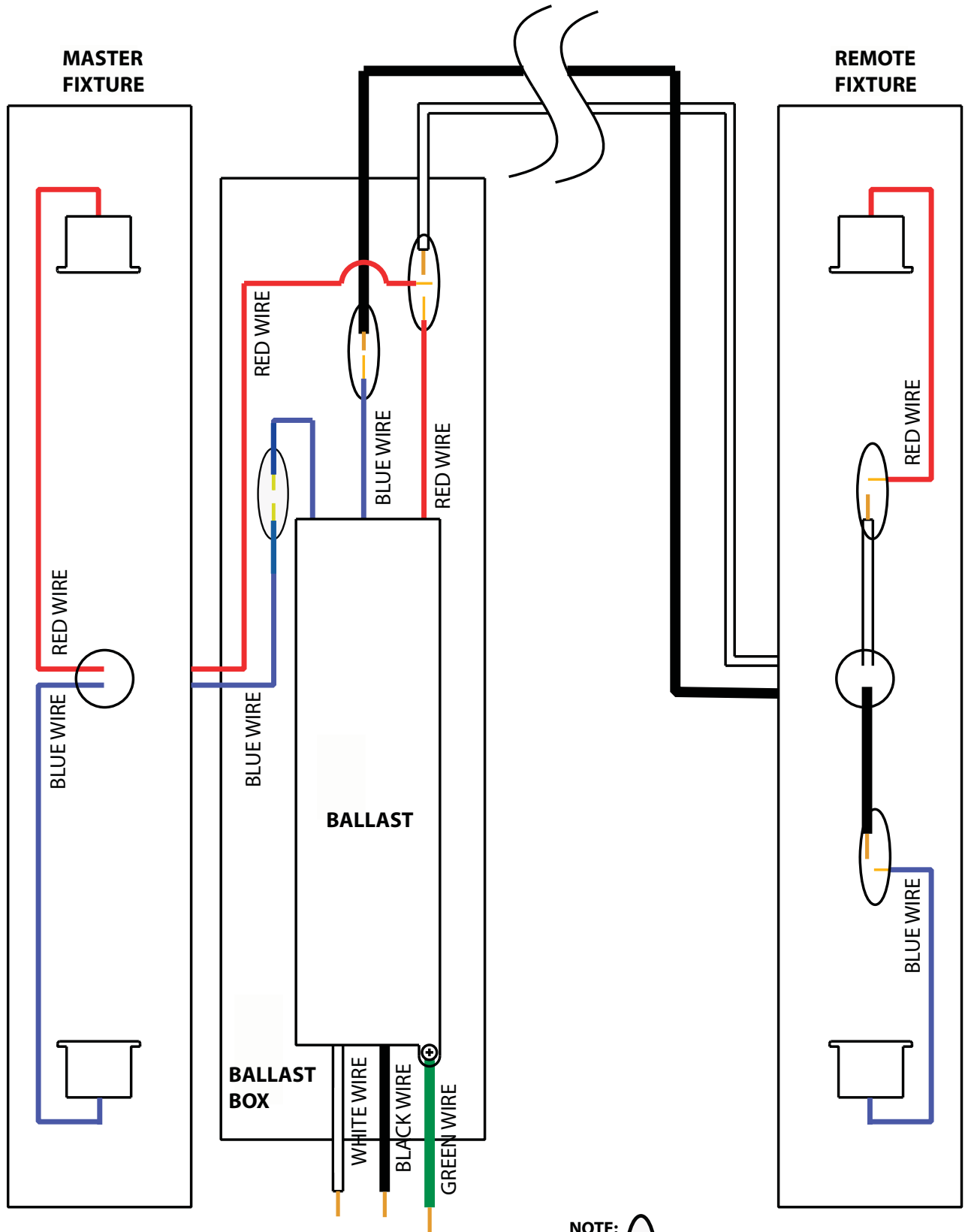
Wire lights to 20 Amp GFI circuit breaker and circuit breaker panel in accordance with manufacturers' instructions.

The light fixture pair is wired to a wall switch and configured so that one light is the "Master" and the other is the "Remote." The Master light has a Ballast Box containing supply and ground connections as well as the Master-to-Remote connections for the field-supplied Romex wire (standard household wire).

1. Wire the light fixtures in accordance with local electrical codes and as shown in Figure R on page 9.
2. Route field-supplied supply wire to expected location of Ballast Box on Master fixture.
3. Route field-supplied Romex master-to-remote wire.
4. Make wire connections as shown in Figure R on page 9 using supplied wire connectors (SS705).
5. Once wiring is complete, return to the instructions to complete the installation of the fixtures:
  - If recess mounting, return to the instructions on page 4, step 9.
  - If surface mounting, return to the instructions on page 5, step 5.
  - If gang mounting, return to the instructions on page 7, step 11.



Figure R: WIRING DIAGRAM



NOTE:  REPRESENTS FIELD CONNECTION

## Installing Lamps and Glass Panels

### Installing Lamps

#### NOTE

The MP3.5T5 uses:

21W T5 Fluorescent lamps

The MT3.5T5 uses:

14W T5 Fluorescent lamps

**Do not use any other type of bulb as it could damage the light fixture.**

**CAUTION: Risk of personal injury; disconnect power before servicing.**

Note that each light base has a Fixed Socket and a Spring-Loaded Socket.

1. Place the pins of the lamp into the spring-loaded socket, push the lamp into the socket, swing the lamp over, and slide the pins into the fixed socket (see Figure S).
2. Repeat for all additional lights.

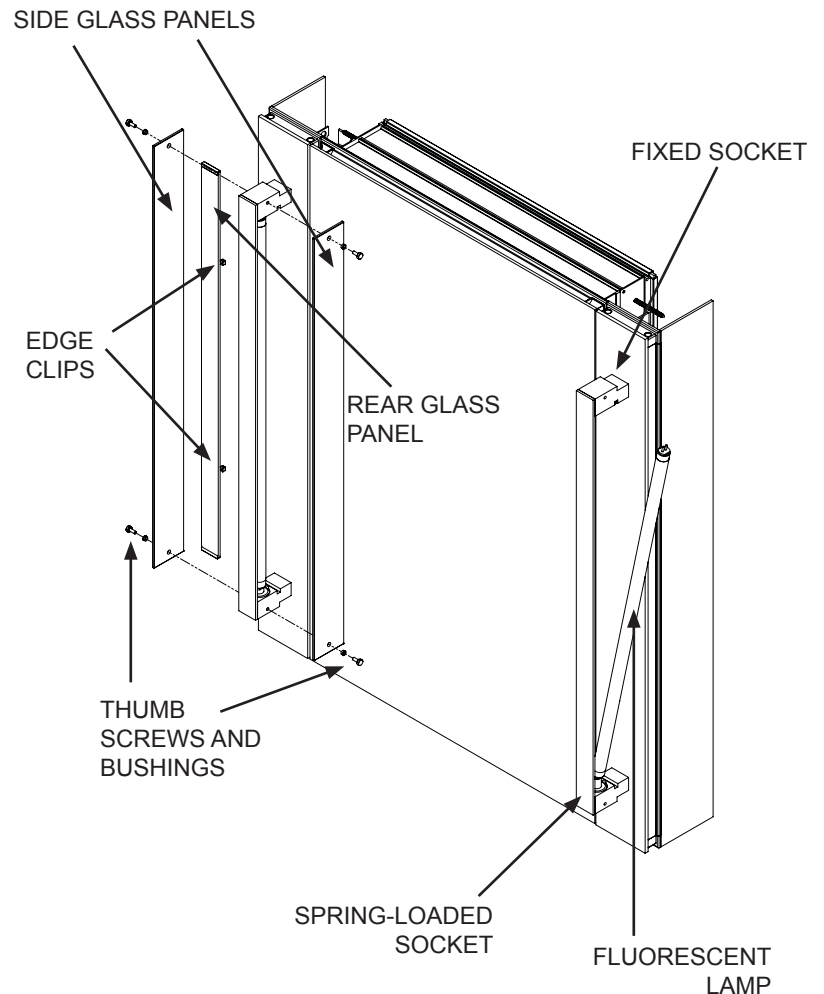
### Installing the Side and Rear Glass Panels

Using the provided Edge Clips, Thumb screws, and Bushings, install the decorative glass pieces as shown in Figure S.

Repeat these instructions for each light fixture:

1. Install the Rear glass panel by sliding it into the grooves at the top and bottom of the fixture.
2. Attach each Side glass panel using the provided Thumb Screws (216-1016) and Thumb Screw Bushings (211-1025).
3. Snap the Edge Clips of the Rear glass panels over the sides of each Side glass panel.

**Figure S: INSTALLING LAMPS AND GLASS PANELS**



## Adjustments and Maintenance

### Changing Lamps

**CAUTION: Risk of personal injury; disconnect power before servicing.**

1. Remove one of the Side glass panels by un-snapping the Edge Clips and removing the Thumbscrews and Bushings (see Figure S).
2. Remove the old lamp by sliding the lamp pins out of the fixed socket, swinging the lamp over, and pulling the pins out of the spring-loaded socket (see Figure S).
3. Install a new lamp as described in "Installing Lamps," above.
4. Replace the Side glass panel as described in steps 2 and 3 of "Installing the Side and Rear Glass Panels," above.

### Cleaning and Care

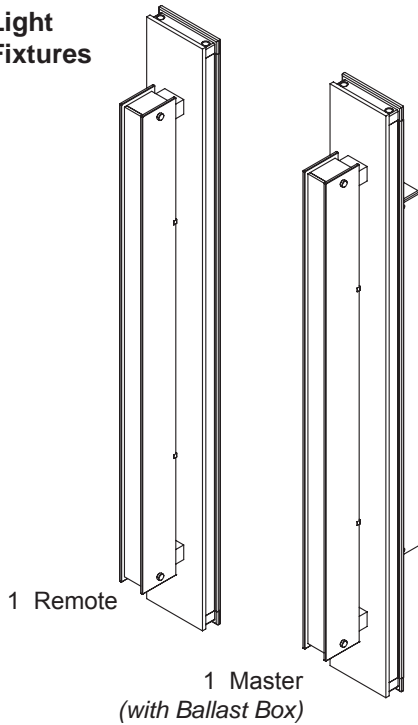
The fronts and sides of the lights are constructed of mirrored glass and anodized aluminum. Use only a damp cloth to clean. Ammonia or vinegar-based cleaners can damage mirrors. A 50/50 solution of water and isopropyl alcohol is recommended for cleaning the mirrored fronts. A mild detergent may be used on the surfaces.

When cleaning, spray the cloth, not the light, mirror, or surrounding surfaces.

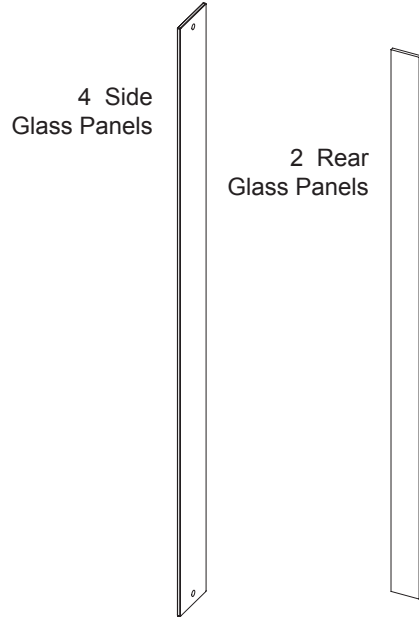
Do not use abrasive cleansers on any part of the light.

# Parts List for MP/MT3.5T5 Modular Lights

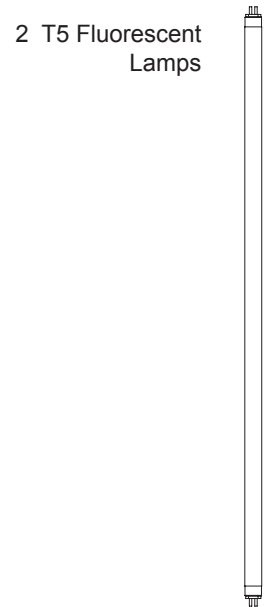
## 1. Light Fixtures





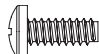
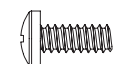

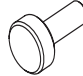

## 2. Glass Panels



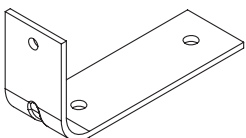
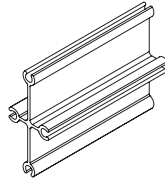
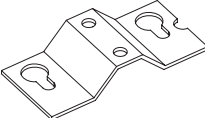
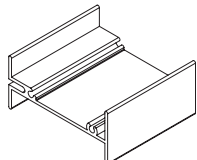
## 3. Fluorescent Lamps



## 4. Hardware Bag [216-1014]\* • Contains the Following:

- 4 Hinge Clips [SS666\*] 
- 10 Grey Screw Head Caps [SS672\*] 
- 16 #10 x 1/2" (12.7 mm) Screws [SS676\*] 
- 4 #10 x 5/8" (15.8 mm) Screws [SS584\*] 
- 12 Wire Connectors [SS705\*] 
- 8 Thumb Screws [216-1016\*] 
- 10 Thumb Screw Bushings [211-1025\*] 

## 5. Mounting Hardware

- 4 L Brackets [SS564\*] 
- 4 Cross Brackets [R0600300M\*] 
- 4 Keyhole Brackets [R055011QM\*] 
- 4 Connecting Blocks [R065027EM\*] 

\* Item Part Number

---

## Limited Warranty One Year Term

ROBERN warrants to the original purchaser that, it will, at its election repair, replace, or make appropriate adjustment to products made by this company shown to have significant defects in material or workmanship which are reported to ROBERN in writing within one (1) year from the date of delivery. ROBERN is not responsible for installation costs.

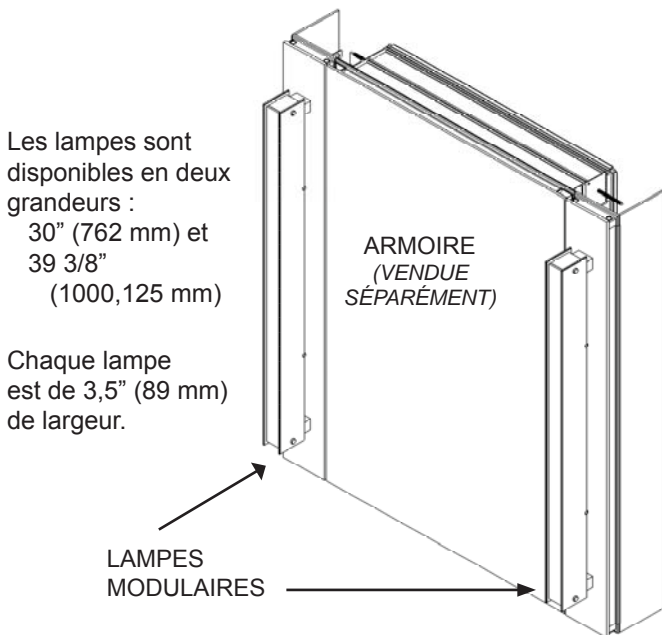
The warranty is void in the event the product is damaged in transit, or if damage or failure is caused by abuse, misuse, abnormal usage, faulty installation, damage in an accident, improper maintenance, or any repairs other than those authorized by ROBERN. At the expiration of the one year warranty period, ROBERN shall be under no further obligation under any warranty, expressed or implied, including the implied warranty of merchantability.

ROBERN shall not be liable for any consequential damages arising out of or in connection with the use or performance of its products. Some states do not allow limitations on how long an implied warranty lasts or do not allow the exclusion or limitation of incidental or consequential damages, so the above limitation or exclusion may not apply to you.

Any liability against ROBERN under any implied warranty, including the warranty of merchantability, is expressly limited to the terms of this warranty. Permission to return any merchandise under this warranty must be authorized by ROBERN and returned prepaid by the purchaser. Claims under this warranty should be sent directly to your dealer.

## INSTRUCTIONS POUR L'INSTALLATION DES LAMPES MODULAIRES REFLEXION™ MP/MT3.5T5

Cette feuille d'instructions contient de l'information sur la façon d'installer les lampes modulaires Reflexion™ MP3.5T5 and MT3.5T5.



**REMARQUE :** Pour de l'information sur l'installation des armoires, consultez les instructions d'installation fournies avec les armoires.

Lors de l'installation des lampes, suivez les étapes suivantes :

1. Lisez la section « Remarques générales » ci-dessous.
2. Lisez la section « Déterminer les dimensions » à la page 14.

**AVERTISSEMENT :** Afin de prévenir des dommages aux lampes et/ou aux portes d'armoires en cas de collision : avant de commencer l'installation des lampes, installez les griffes à charnières fournies (consulter la Liste des pièces à la page 23). Pressez la griffe à charnière sur le coude de la charnière dans les trous situés sur la charnière de l'armoire. Consultez les instructions d'installation de l'armoire pour plus d'information.

3. Lisez les instructions spécifiques pour l'installation de vos lampes. Elles peuvent être montées des façons suivantes :
  - Montage encastré (consulter la section « Installation des lampes avec une armoire à montage encastré » à la page 15)
  - Montage en surface (consulter la section « Installation des lampes avec une armoire à montage en surface » à la page 17)
  - Montage groupé (consulter la section « Installation des lampes avec des armoires encastrées à montage groupé » à la page 18)
4. Lisez la section « Câblage des dispositifs d'éclairage » à la page 20. Veuillez noter que le câblage est un processus en deux étapes. Tout d'abord le câblage est acheminé à la boîte à pierraille et ensuite l'assemblage de verre frontal est branché à la boîte à pierraille.
5. Lisez la section « Installation des lampes et des panneaux de verre » et la section « Ajustements et entretien » à la page 22.

### Remarques Générales

Déballer les lampes. Vérifiez consciencieusement le contenu de la boîte pour y trouver la quincaillerie d'ameublement et les pièces détachées requises selon l'ordre suivant :

- Lampes réfléchissantes
- Lampes fluorescentes
- Les flancs de lampe
- Sac de quincaillerie
- Pièces de montage

Assurez-vous d'avoir tous les éléments cités ci-dessus et dans la Liste des pièces à la page 23.

Les lampes sont conçues pour être fixées aux armoires Robern MP/MT Cabinets. Pour plus d'information sur l'installation des armoires, consultez les instructions qui sont envoyées avec les armoires.

Le modèle MP3.5T5 accepte les lampes fluorescentes 21W T5. Le modèle MT3.5T5 accepte les lampes fluorescentes 14W T5.

**Ce dispositif d'éclairage ne peut pas être utilisé avec un gradateur.**

Ce dispositif d'éclairage ajoute 3,5" (89 mm) ou 7" (178 mm) par paire à la largeur totale de l'installation d'une armoire. Référez-vous à l'information sur les dimensions à la page 2 pour calculer les grandeurs totales et les ouvertures dans un mur pour les combinaisons encastrées.

Ces lampes sont certifiées UL et CUL pour les emplacements humides.

Conservez ces instructions à des fins d'utilisation future et de référence. Si vous éprouvez un problème quelconque avec votre lampe, contactez votre marchand ou communiquez directement avec Robern.

**Robern • 701 N. Wilson Ave • Bristol, PA 19007  
1-800-877-2376 • FAX 1-215-826-9666**

*Garantie limitée d'un an (voir page 24)*

## Déterminer les dimensions

Les lampes MP/MT3.5T5 sont modulaires et peuvent être installées en utilisant différentes combinaisons avec les armoires des séries MP/MT. La grandeur globale des armoires et lampes est déterminée par les dimensions totales des unités assemblées. Avant de percer des trous dans le mur, il faut déterminer les dimensions totales.

Voir la figure A à titre d'exemple (avec une armoire MT16D4FBN et une lampe MT3.5T5) qui illustre les dimensions totales et les dimensions d'ouverture brute.

### Déterminer la largeur :

1. Déterminer la largeur avant de l'armoire ou des lampes. Ajouter 3 1/2" (89 mm) pour chaque lampe; 7" pour la paire de lampe (178 mm).

#### LARGEURS COMBINÉES pour 2 lampes/1 armoire :

MP16 et MT16 = 22 1/4" (565,15 mm) de largeur

MP16 et MT16 = 26 1/4" (666,75 mm) de largeur

MP24 et MT24 = 30 1/4" (768,35 mm) de largeur

2. Si vous regroupez plusieurs armoires et lampes, additionnez les largeurs de chacune des armoires et lampes afin d'obtenir la largeur totale.

3. **Soustrayez 3/4" (19,05 mm) de la largeur totale afin d'établir la longueur horizontale de l'ouverture brute.**

**REMARQUE : Ces dimensions doivent être suivies à la lettre afin que l'armoire et les lampes soient installées de façon appropriée.**

### Déterminer la hauteur :

1. Déterminer la hauteur avant de la combinaison armoire/lampe.

#### HAUTEURS DE LA COMBINAISON LAMPES/ARMOIRE :

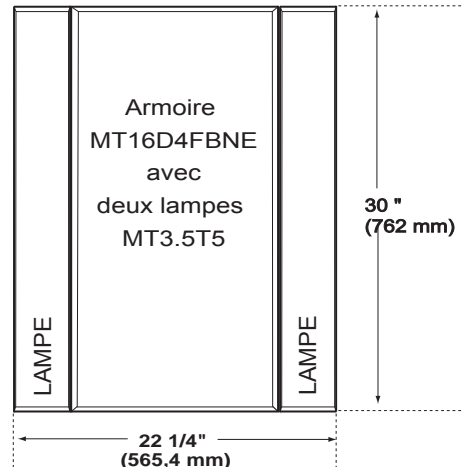
MT à dessus plat = 30" (762 mm) de haut

MP à dessus plat = 39 3/8 (1000,125 mm) de haut

2. **Soustrayez 3/4" (19,05 mm) de la hauteur afin d'établir la hauteur verticale de l'ouverture brute.**

**REMARQUE : Ces dimensions doivent être suivies à la lettre afin que l'armoire et les lampes soient installées de façon appropriée.**

**Figure A:  
EXEMPLE DE DIMENSIONS TOTALES**



### DIMENSIONS D'OUVERTURE BRUTE

Hauteur: 29 1/4" (30" - 3/4")

742,9 mm (762 mm - 19,1 mm)

Largeur: 21 1/2" (22 1/4" - 3/4")

546,3 mm (565,4 mm - 19,1 mm)

## Installation des lampes avec une armoire à montage encastré

### IMPORTANT!

L'ouverture brute doit être menuisée sur les quatre côtés et doit être d'au moins 3 3/4" (95,25 mm) de profondeur pour les armoires D4, de 5 3/4" (146,05 mm) pour les armoires D6, et de 7 3/4" (196,85 mm) de profondeur pour les armoires D8 (lors d'un encastrement complet).

Lorsque vous effectuez un montage encastré, les lampes sont fixées en premier aux armoires, puis retirées, et ensuite l'armoire est installée au mur. Par la suite, le câblage est effectué, pour fixer ensuite de nouveau les lampes aux armoires.

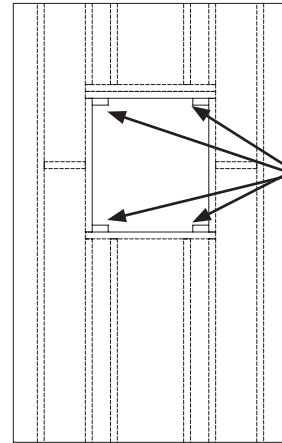
**REMARQUE :** L'un des dispositifs d'éclairage est le « Maître » — Il dispose d'une boîte à pierraille, l'autre est le « Distant » et ne dispose pas d'une boîte à pierraille. Voir « Câblage des luminaires » à la page 20 pour plus d'information.

1. Consulter la section « Déterminer les dimensions » à la page 14 pour établir votre ouverture brute. Suivez les instructions fournies avec les armoires pour préparer l'ouverture brute. Ajoutez des blocs de bois de sciage de 2x4 à l'ouverture tel qu'illustré à la figure B.
2. Préparez vos raccordements de fils (voir l'étape 1 « Câblage des dispositifs d'éclairage » à la page 20 pour de l'information).
3. Montez les blocs de raccordement fournis (R065027EM) sur chaque côté de l'armoire (pour faciliter l'installation, nous recommandons de « pré-visser » tout d'abord les vis fournies aux blocs de raccordement, puis de les retirer temporairement). À l'aide des vis fournies (SS676) #10 x 1/2", fixez un bloc de raccordement sur le dessus et le dessous du côté droit des armoires tel qu'illustré à la figure C. Répétez la même manœuvre du côté gauche.

**REMARQUE:** Si vous installez les lampes **entre deux armoires**, une trousse d'« accouplement » séparée doit être achetée. Les blocs de raccordement de la trousse d'accouplement seront remplacés par les blocs de raccordement fournis avec les lampes dans le cas d'installation « groupée » seulement.

4. Désassemblez les deux dispositifs d'éclairage en enlevant les deux vis (celle du dessus et du dessous de chaque lampe) puis le panneau latéral tel qu'illustré à la figure D. (Prenez note que le dispositif d'éclairage distant ne dispose pas d'une boîte à pierraille.)

Figure B : OUVERTURE BRUTE



Installez un bloc de 2x4 dans chaque coin de l'ouverture brute. Les armoires sont vissées et fixées aux blocs.

Figure C : BLOCS DE RACCORDEMENT

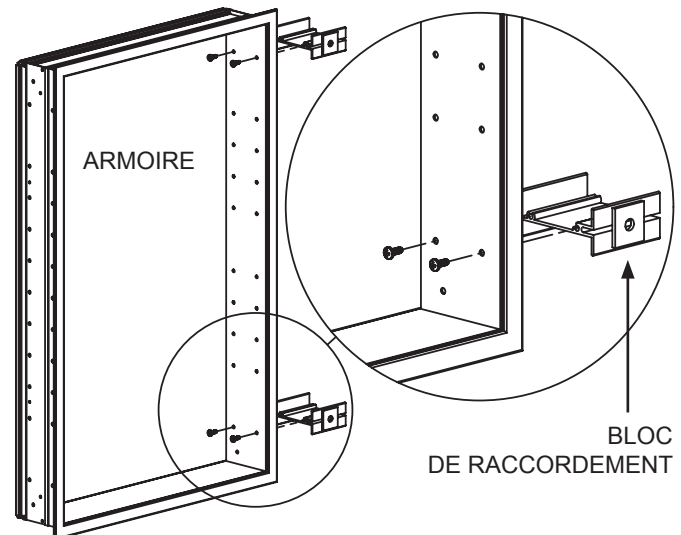
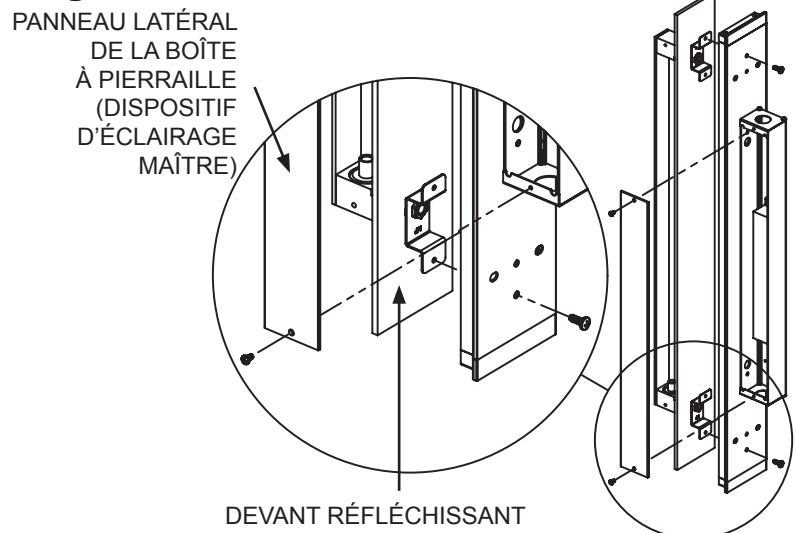


Figure D : DÉASSEMBLER LES LAMPES

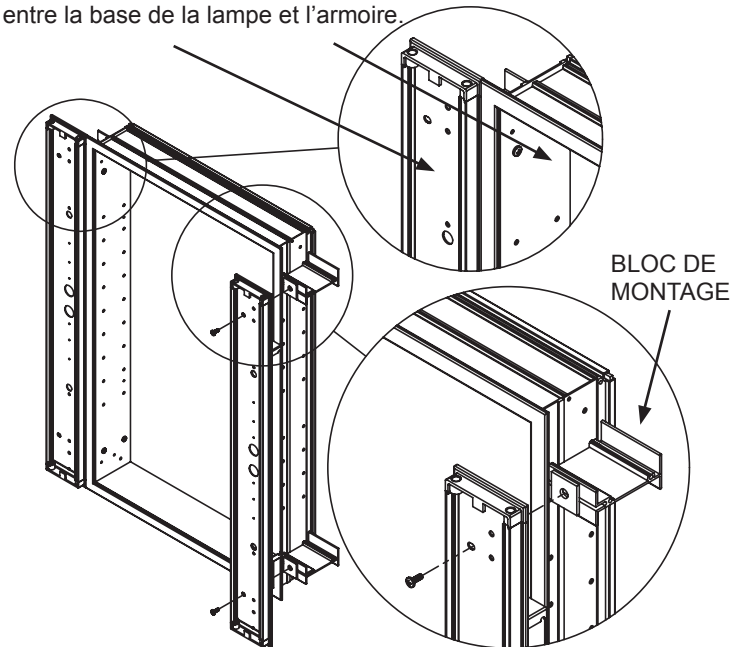


## Installation des lampes avec une armoire à montage encastré (suite)

5. À l'aide des vis fournies (SS584) #10 x 5/8", fixez les deux bases des lampes aux blocs de montage tel qu'illustré à la figure E. Assurez-vous que les bases des lampes sont bien collées au joint en caoutchouc des armoires et qu'il n'y a pas d'écart entre la base de la lampe et l'armoire tel qu'illustré. Installez les vis à travers les deux trous sur chacune des lampes tel qu'illustré à la figure E.
6. Une fois que les lampes sont alignées à l'armoire, elles doivent être temporairement retirées afin de pouvoir terminer le câblage. Retirez les vis (deux du dessus et deux du dessous de chaque lampe) qui retiennent les blocs de raccordement aux côtés de l'armoire tel qu'illustré à la figure F. Laissez les blocs de raccordement attachés aux bases de la lampe et retirez les bases de l'armoire.
7. Placez l'armoire dans l'ouverture brute. À l'aide des vis fournies avec votre armoire, insérez une vis à environ mi-chemin à travers l'un des coins supérieurs et l'une à travers le coin inférieur opposé de l'armoire dans les blocs de bois de sciage de 2x4 (tel qu'illustré à la figure G). (Pour plus d'information consulter les instructions d'installation fournies avec l'armoire.) Ceci permettra à l'armoire d'être déplacée vers la gauche/droite et facilitera l'installation des lampes.
8. Effectuez le câblage de chaque base de lampe. Voir les étapes 2 à 5 de la section « Câblage des dispositifs d'éclairage » à la page 20 pour plus d'information.
9. Réassemblez chaque lampe en inversant l'ordre des instructions de l'étape 4 et de la figure D à la page 15.
10. Attachez de nouveau la base de la lampe en inversant l'ordre des instructions de l'étape 6 et de la figure F.
11. Assurez-vous que l'armoire est centrée, à niveau et aplombée, puis serrez les vis utilisées à l'étape 7. Attachez les autres coins de l'armoire aux blocs de bois de sciage 2x4 à l'aide des autres vis fournies.
12. Consultez la section « Installation des lampes et des panneaux de verre » à la page 22 pour compléter l'installation.

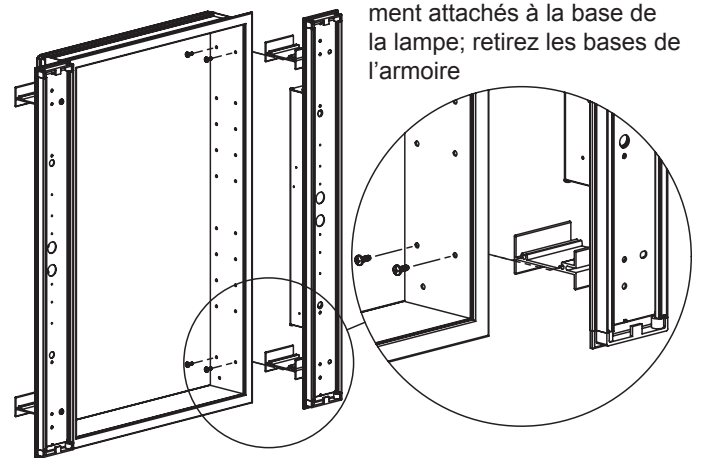
### Figure E : INSTALLER LA LAMPE DANS L'ARMOIRE

Assurez-vous qu'il n'y a pas d'espace entre la base de la lampe et l'armoire.



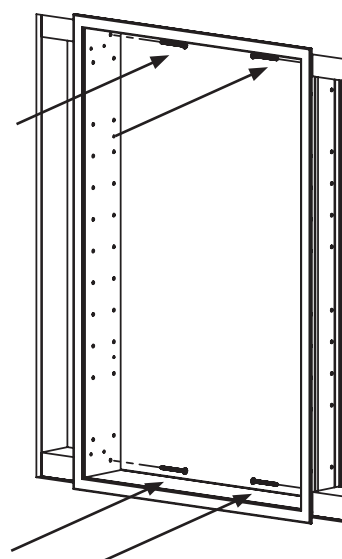
### Figure F : RETIRER LA LAMPE DE L'ARMOIRE

Laissez les blocs de raccordement attachés à la base de la lampe; retirez les bases de l'armoire.



### Figure G : ARMOIRE INSTALLÉE

**REMARQUE :**  
Les vis sont introduites à travers les quatre coins de l'armoire afin de fixer celle-ci aux blocs 2x4.



#### REMARQUE À PROPOS DES ARMOIRES/ LAMPES PARTIELLEMENT ENCASTRÉES

Lorsque vous effectuez un montage d'armoires et de lampes partiellement encastrées (par exemple, en fixant une armoire de 6" (152,4 mm) de profondeur dans une ouverture de 4" (101,6 mm) de profondeur), suivez les instructions fournies avec la trousse de finition des côtés MPSK40-D2 ou D4 ou consultez la section « Montage de la trousse de finition des côtés » à la page 20.



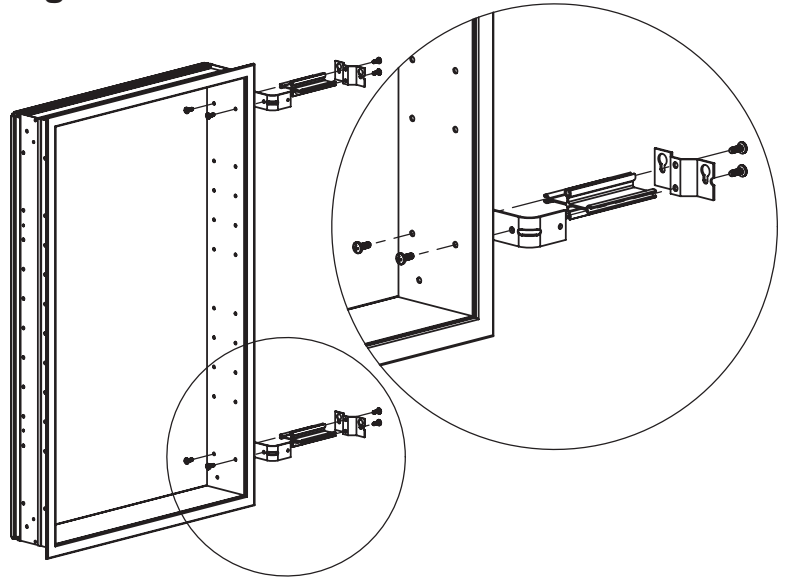
## Installation des lampes avec une armoire à montage en surface

1. Montez vos armoires en respectant les instructions fournies avec l'armoire.
2. Fixez les supports en L (SS564), les supports croisés (R0600300M), et les supports de trous de serrure (R055011QM) tel qu'illustré à la figure H, en utilisant les vis fournies #10 x 1/2" (SS676). Pour faciliter l'installation, on recommande de « pré-visser » les vis fournies dans les supports puis de les retirer.

**REMARQUE :** Si vous installez les lampes entre deux armoires, une trousse d'« accouplement » séparée doit être achetée. Les blocs de raccordement de la trousse d'« accouplement » seront remplacés par les supports en L, les supports croisés et les supports de trous de serrure, lesquels sont fournis avec les lampes.

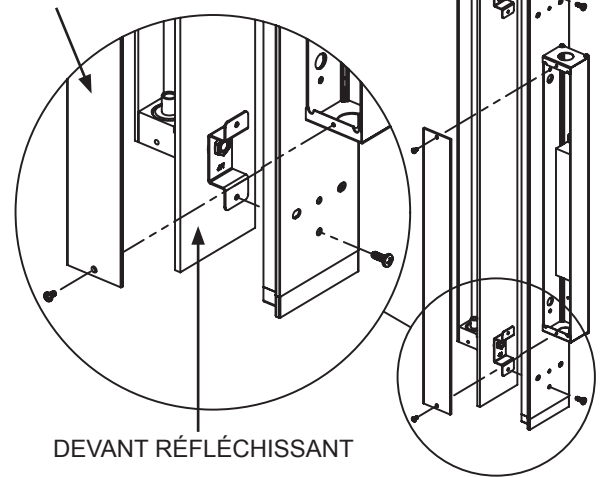
3. Désassemblez les deux dispositifs d'éclairage en enlevant les deux vis (celle du dessus et du dessous de chaque lampe) puis le panneau latéral de la boîte à pierraille tel qu'illustré à la figure I. (Prenez note que le dispositif d'éclairage distant ne dispose pas d'une boîte à pierraille.)
4. Effectuez le câblage de chaque base de lampe. Voir « Câblage des dispositifs d'éclairage » à la page 20 pour plus d'information.
5. À l'aide des vis fournies (SS584) #10 x 5/8", fixez les deux bases des lampes aux supports tel qu'illustré à la figure J. Assurez-vous que les bases des lampes sont bien collées au joint en caoutchouc des armoires et qu'il n'y a pas d'écart entre la base de la lampe et l'armoire tel qu'illustré.
6. Réassemblez chaque lampe en inversant l'ordre des instructions de l'étape 3.
7. Consultez la section « Installation des lampes et des panneaux de verre » à la page 22 pour compléter l'installation.

**Figure H : FIXER LES SUPPORTS**



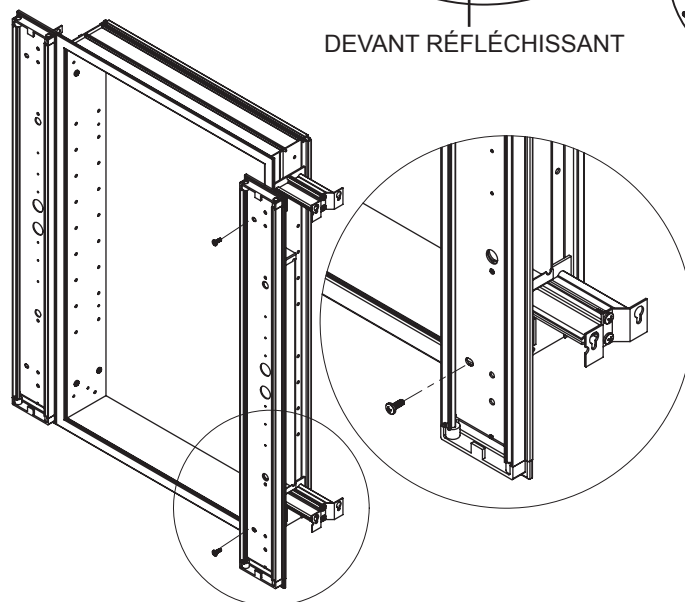
**Figure I : DÉSASSEMBLER LES LAMPES**

PANNEAU LATÉRAL DE LA BOÎTE À PIERRAILLE  
(DISPOSITIF D'ÉCLAIRAGE MAÎTRE)



DEVANT RÉFLÉCHISSANT

**Figure J : ATTACHER LES LAMPES AUX SUPPORTS**



## Installation des lampes avec des armoires encastrées à montage groupé

### IMPORTANT!

L'ouverture brute doit être menuisée sur les quatre côtés et doit être d'au moins 3 3/4" (95,25 mm) de profondeur pour les armoires D4, de 5 3/4" (146,05 mm) pour les armoires D6, et de 7 3/4" (196,85 mm) de profondeur pour les armoires D8 (lors d'un encastrément complet).

**REMARQUE** : Si vous installez les lampes **entre deux armoires**, une trousse d'« accouplement » séparée doit être achetée. Les blocs de raccordement de la trousse d'« accouplement » seront remplacés par les blocs de raccordement fournis avec les lampes dans une installation « groupée » seulement.

Lorsque vous effectuez un montage groupé, les lampes sont fixées en premier aux armoires, puis retirées, et ensuite les armoires sont installées au mur. Par la suite, le câblage est effectué, pour fixer ensuite de nouveau les lampes aux armoires.

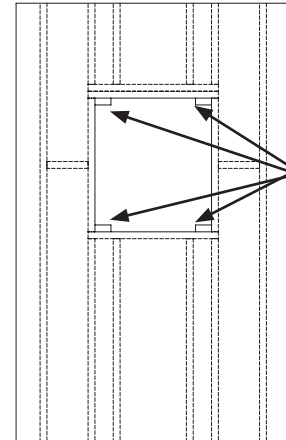
**REMARQUE** : Un des dispositifs d'éclairage est le « Maître » — Il dispose d'une boîte à pierraille, l'autre est le « distant » et ne dispose pas d'une boîte à pierraille. Voir « Câblage des dispositifs d'éclairage » à la page 20 pour plus d'information.

1. Consultez la section « Déterminer les dimensions » à la page 14 pour établir votre ouverture brute. Suivez les instructions fournies avec les armoires pour préparer l'ouverture brute. Ajoutez des blocs de bois de sciage de 2x4 à l'ouverture tel qu'illustré à la figure K.
2. Préparez vos raccordements de fils (voir l'étape 1 « Câblage des dispositifs d'éclairage » à la page 20 pour de l'information).

**REMARQUE** : Pour le montage d'armoires **entre les lampes**, allez à l'étape 3, puis sautez l'étape 4; pour le montage **des lampes à l'extérieur** des armoires, allez directement à l'étape 4.

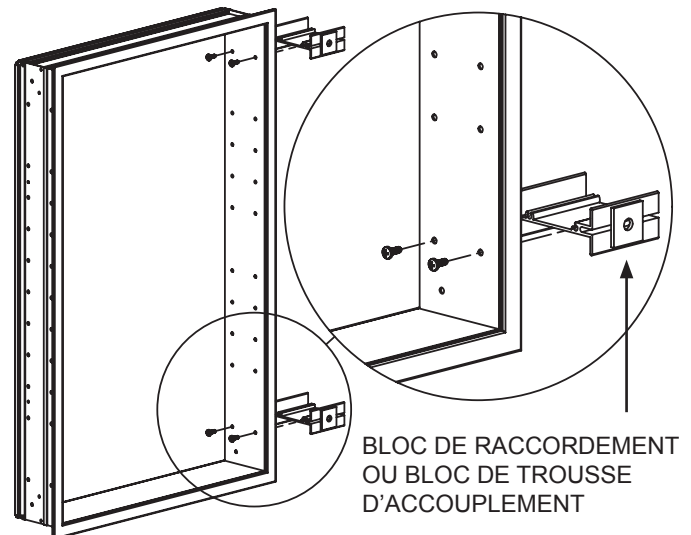
3. À l'aide des blocs de la trousse d'accouplement (R065047EM) fournis avec votre trousse d'accouplement (vendue séparément), montez deux blocs de la trousse d'accouplement sur le côté de la première armoire (pour faciliter l'installation, nous recommandons de « pré-visser » tout d'abord les vis fournies aux blocs de la trousse d'accouplement, puis de les retirer temporairement). À l'aide des vis fournies (SS676) #10 x 1/2", fixez un bloc de la trousse d'accouplement sur le dessus et le dessous du côté des armoires tel qu'illustré à la figure L. En utilisant la même procédure, connectez la prochaine armoire aux blocs de la trousse d'accouplement. Répétez cette procédure pour connecter d'autres armoires.
4. À l'aide des vis fournies (SS676) #10 x 1/2", montez deux blocs de raccordements à chaque côté de l'armoire (pour faciliter l'installation, nous recommandons de « pré-visser » tout d'abord les vis fournies aux blocs de raccordement, puis de les retirer temporairement). À l'aide des vis fournies, fixez un bloc de raccordement sur le dessus et le dessous du côté droit des armoires tel qu'illustré à la figure L. Répétez la même manœuvre du côté gauche.
5. Désassemblez les deux dispositifs d'éclairage en enlevant les deux vis (celle du dessus et du dessous de chaque lampe) puis le panneau latéral de la boîte à pierraille tel qu'illustré à la figure M. (Prenez note que le dispositif d'éclairage distant ne dispose pas d'une boîte à pierraille.)

Figure K : OUVERTURE BRUTE



Installez un bloc de 2x4 dans chaque coin de l'ouverture brute. Les armoires sont vissées et fixées aux blocs.

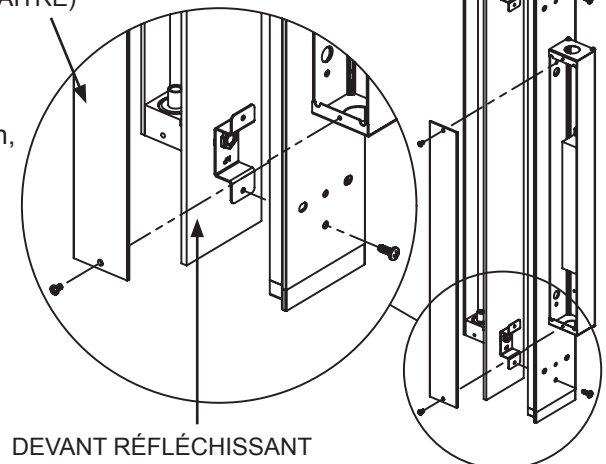
Figure L : BLOCS DE RACCORDEMENT



BLOC DE RACCORDEMENT OU BLOC DE TROUSSE D'ACCOUPEMENT

Figure M : DÉSASSEMBLER LES LAMPES

PANNEAU LATÉRAL DE LA BOÎTE À PIERRAILLE (DISPOSITIF D'ÉCLAIRAGE MAÎTRE)



DEVANT RÉFLÉCHISSANT

## Installation des lampes avec des armoires encastrées à montage groupé (suite)

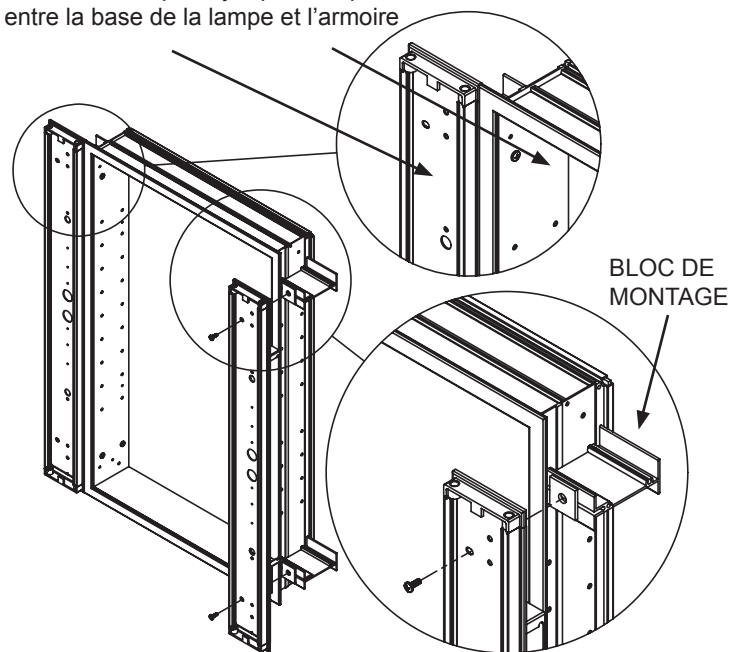
6. À l'aide des vis fournies (SS584) #10 x 5/8", fixez les deux bases des lampes aux blocs de montage tel qu'illustré à la figure N. Assurez-vous que les bases des lampes sont bien collées au joint en caoutchouc des armoires et qu'il n'y a pas d'écart entre la base de la lampe et l'armoire tel qu'illustré. Installez les vis à travers les deux trous sur chacune des lampes tel qu'illustré à la figure N.
7. Une fois que les lampes sont alignées à l'armoire, elles doivent être temporairement retirées afin de pouvoir terminer le câblage. Retirez les vis (deux du dessus et deux du dessous de chaque lampe) qui retiennent les blocs de raccordement aux côtés de l'armoire tel qu'illustré à la figure O. Laissez les blocs de raccordement et d'accouplement attachés aux bases de la lampe et retirez les bases de l'armoire.
8. Commencez par installer les armoires à partir du centre, puis déplacez-vous vers la gauche ou la droite. Coupez deux blocs de bois de sciage de 2x4 pour obtenir 4 1/8" (104,8 mm) et attachez-les à la partie supérieure et inférieure. Les armoires sont ensuite attachées à ceux-ci. Voir la figure K à la page 18.
9. Continuez l'installation tel que décrit dans la section Montage groupé des instructions de l'installation de l'armoire.
10. Raccordez chaque base de lampe. Voir les étapes 2 à 5 de la section « Câblage des dispositifs d'éclairage » à la page 20 pour plus d'information.
11. Réassemblez chaque lampe en inversant l'ordre des instructions de l'étape 5 et de la figure M à la page 18.
12. Attachez de nouveau la base de la lampe en inversant l'ordre des instructions de l'étape 7 et de la figure O.
13. Consultez la section « Installation des lampes et des panneaux de verre » à la page 22 pour compléter l'installation.

### REMARQUE À PROPOS DES ARMOIRES/ LAMPES PARTIELLEMENT ENCASTRÉES

Lorsque vous effectuez un montage d'armoires et de lampes partiellement encastrées (par exemple, en fixant une armoire de 6" (152,4 mm) de profondeur dans une ouverture de 4" (101,6 mm) de profondeur), suivez les instructions fournies avec la trousse de finition des côtés MPSK40-D2 ou D4 ou consultez la section « Montage de la trousse de finition des côtés » à la page 20.

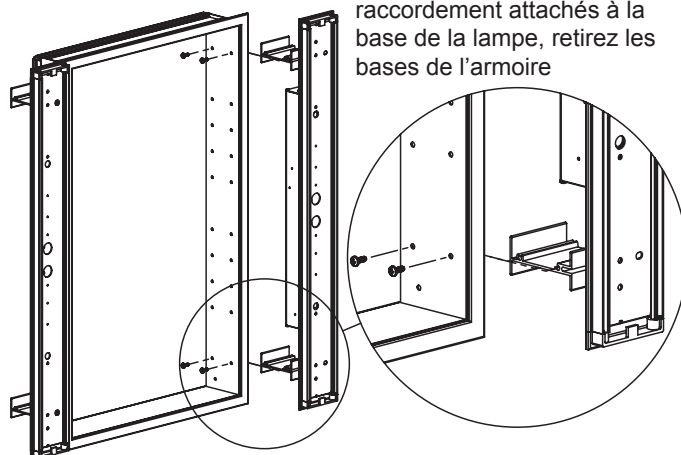
## Figure N : INSTALLER LA LAMPE DANS L'ARMOIRE

Assurez-vous qu'il n'y a pas d'espace entre la base de la lampe et l'armoire



## Figure O : RETIRER LA LAMPE DE L'ARMOIRE

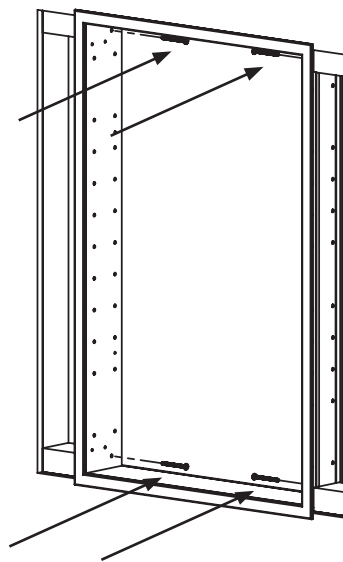
Laissez les blocs de raccordement attachés à la base de la lampe, retirez les bases de l'armoire



## Figure P : ARMOIRE INSTALLÉE

### REMARQUE :

Les vis sont introduites à travers les quatre coins de l'armoire afin de la fixer aux blocs 2x4.



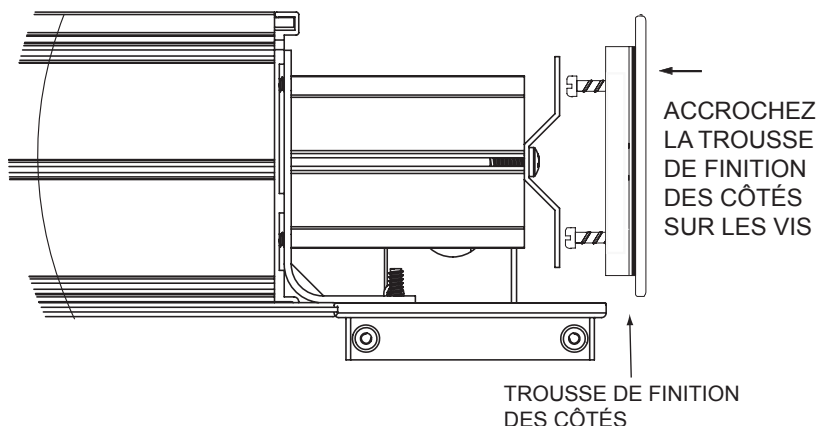
## Montage de la trousse de finition des côtés

La trousse de finition des côtés est achetée séparément et ne vient pas avec les lampes. Elle est utilisée pour faire la finition des côtés d'une lampe partiellement encastrée ou montée en surface.

Pour installer la trousse de finition des côtés :

1. Attachez les trousse de finition des côtés en alignant les têtes des vis situées dans la trousse de finition aux trous des supports de trous de serrure qui ont été installés plus tôt. Voir figure Q.

Figure Q : TROUSSE DE FINITION DES CÔTÉS



## Câblage des dispositifs d'éclairage

### DANGER :

Pour réduire le risque de choc électrique, coupez le courant avant d'effectuer le câblage des lampes.

### MISE EN GARDE :

Instructions de mise à la terre pour les éléments raccordés de façon permanente : Ce produit doit être relié à un métal mis à la terre, à un système de câblage permanent ou un conducteur de mise à la terre de l'appareillage doit être utilisé avec les connecteurs de circuits branchés à un terminal de mise à la terre ou à un fil de sortie du produit.

Tout raccordement devrait être effectué par un électricien qualifié, titulaire d'une licence.

### IMPORTANT :

L'alimentation pour les lampes devrait être fournie **séparément** de l'électricité alimentant l'armoire de sorte à ce que lorsque les lumières sont éteintes, l'électricité de l'armoire puisse quand même fonctionner.

### REMARQUE :

Requiert un circuit de 20 ampères et de 120 volts en courant alternatif.

### AVERTISSEMENT :

Les lampes doivent être raccordées à un DFT (disjoncteur de fuite à la terre) de 20 amp. lorsqu'elles sont utilisées dans une salle de bains et tous les autres endroits où le requiert le Code électrique national.

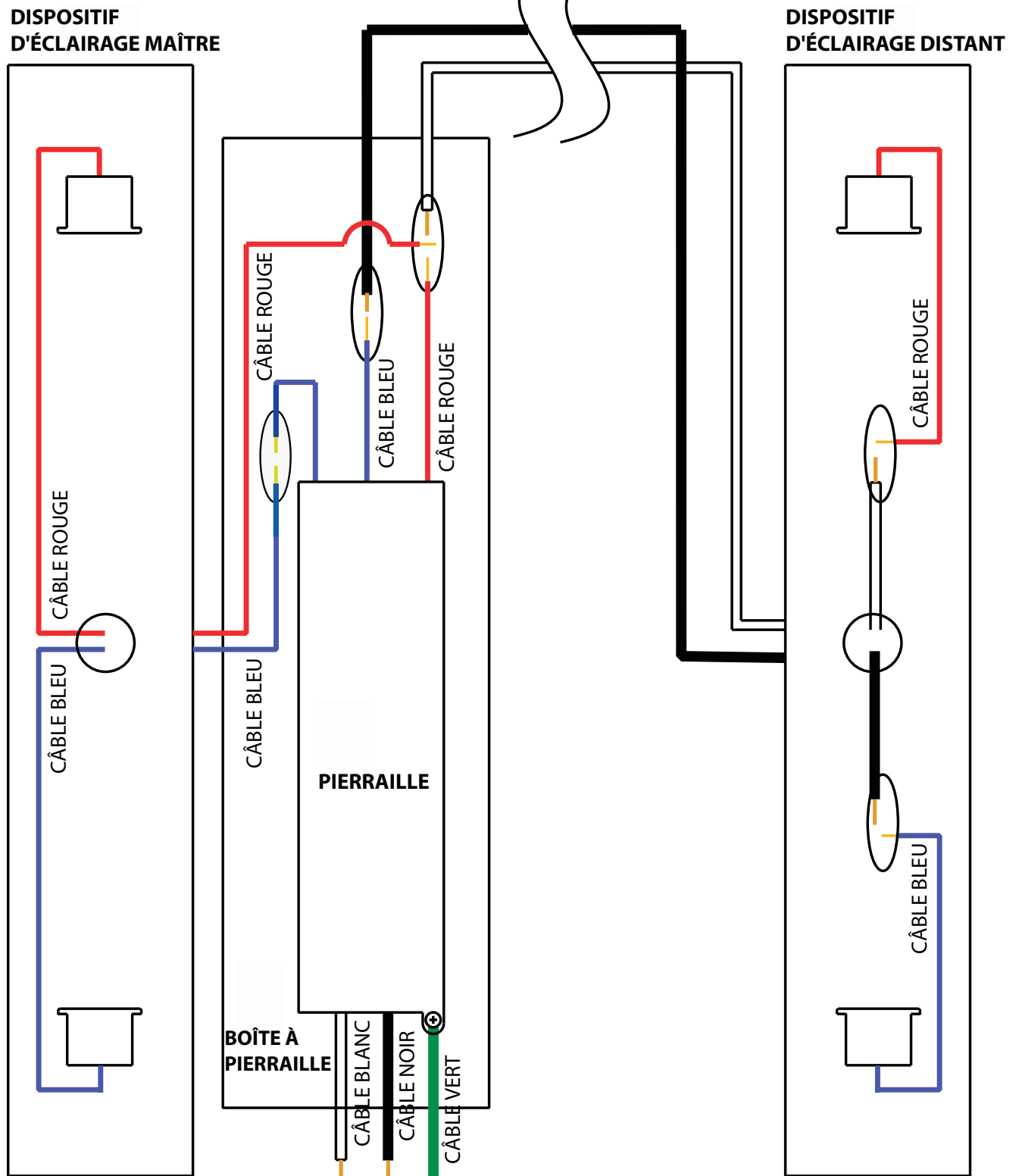
### AVERTISSEMENT :

Raccordez les lampes à un disjoncteur de fuite à la terre de 20 ampères et à un panneau de disjoncteur conformément aux instructions du fabricant.

La paire de dispositif d'éclairage est raccordée à l'interrupteur mural et configurée de sorte à ce que l'un des dispositifs d'éclairage soit le « maître » et l'autre le « distant ». Le dispositif d'éclairage maître dispose d'une boîte à pierraille contenant des câbles de masse et des raccords d'alimentation en plus des raccords Maître-à-distant pour le câble Romex sur chantier fourni (câble standard résidentiel).

1. Raccordez les dispositifs d'éclairage conformément aux codes électriques locaux et tel qu'illustré à la figure R à la page 21.
2. Acheminez le câble d'alimentation sur chantier fourni jusqu'à l'endroit prévu de la boîte à pierraille sur le dispositif d'éclairage maître.
3. Acheminez le câble Romex sur chantier Maître-à-distant fourni.
4. Effectuez les raccordements de câble tel qu'illustré à la figure R à la page 21 à l'aide des connecteurs de fils fournis (SS705).
5. Une fois que le câblage est terminé, retournez aux instructions pour compléter l'installation des dispositifs d'éclairage :
  - Si le montage est encastré, retournez aux instructions de la page 16, étape 9.
  - Si le montage est en surface, retournez aux instructions de la page 17, étape 5.
  - Si le montage est groupé, retournez aux instructions de la page 19, étape 11.

Figure R : DIAGRAMME DE CÂBLAGE



REMARQUE :



REPRÉSENTE LA CONNEXION  
SUR CHANTIER

## Installation des lampes et des panneaux de verre

### Installation des lampes

#### REMARQUE :

Le MP3.5T5 utilise :

des lampes fluorescentes 21WT5

Le MT3.5T5 utilise :

des lampes fluorescentes 14W T5

**N'utilisez aucun autre type d'ampoule sinon vous pourriez endommager le dispositif d'éclairage.**

**MISE EN GARDE : Risque de blessure corporelle; débranchez le courant avant l'entretien.**

Veuillez noter que chacune des bases de lumière dispose d'une douille de lampe fixe et d'une douille de lampe à ressort.

1. Insérez les pinces de la lampe dans la douille à ressort, enfoncez la lampe dans la douille, rabattez la lampe et glissez les pinces dans la douille fixe (voir figure S).
2. Répétez la même manœuvre pour toutes les lampes supplémentaires.

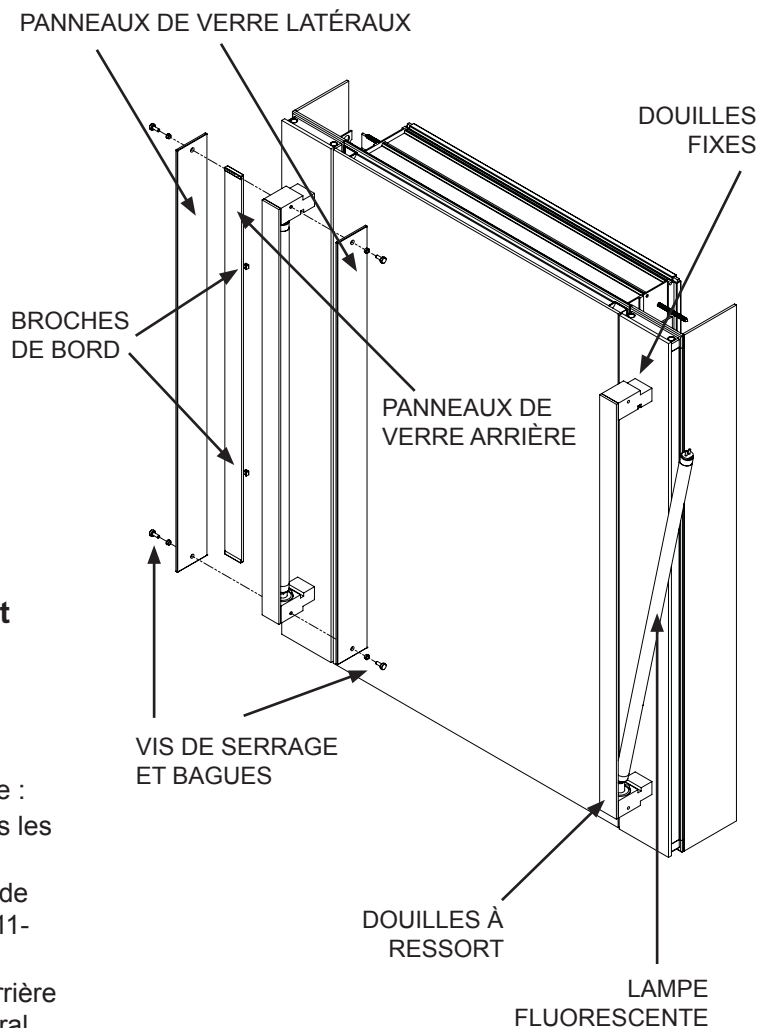
### Installation des panneaux de verre latéraux et arrière

À l'aide des broches de bord, des vis de serrage et des bagues fournies, installez les pièces de verre décoratives tel qu'illustré à la figure S.

Répétez ces instructions pour chaque dispositif d'éclairage :

1. Installez le panneau de verre arrière en le glissant dans les rainures sur le haut et le bas du dispositif d'éclairage.
2. Fixez chaque panneau de verre latéral à l'aide des vis de serrage (216-1016) et des bagues à oreille fournies (211-1025).
3. Pressez les broches de bord des panneaux de verre arrière par-dessus les côtés de chaque panneau de verre latéral.

### Figure S : INSTALLATION DES LAMPES ET DES PANNEAUX DE VERRE



## Ajustements et entretien

### Changement des lampes

**MISE EN GARDE : Risque de blessure corporelle; débranchez le courant avant l'entretien.**

1. Enlevez l'un des panneaux de verre latéraux en débrochant les broches de bord et en retirant les vis de serrage et les bagues (voir figure S).
2. Enlevez l'ancienne lampe en faisant glisser les pinces de la lampe en dehors de la douille fixe, rabattant la lampe et tirant les pinces en dehors de la douille à ressort (voir figure S).
3. Installez une nouvelle lampe tel que décrit dans la section « Installation des lampes » ci-dessus.
4. Remplacez le panneau de verre latéral tel que décrit dans les étapes 2 et 3 de la section « Installation des panneaux de verre latéraux et arrière » ci-dessus.

### Nettoyage et entretien

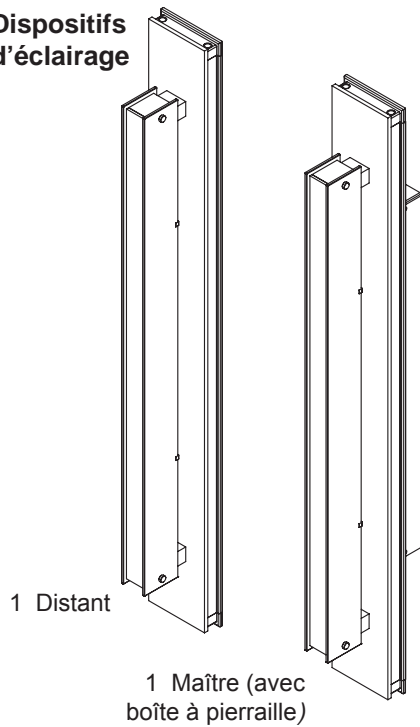
L'avant et les côtés des lampes sont fabriqués en miroir et en aluminium anodisé. Utilisez un linge humide seulement lors du nettoyage. Les agents nettoyants à base d'ammoniac ou de vinaigre peuvent endommager les miroirs. Un mélange d'eau et d'alcool isopropylique à part égale est conseillé pour le nettoyage de l'avant des miroirs. Un détergent doux peut être utilisé pour le nettoyage des surfaces.

Lors du nettoyage, pulvérisez le liquide sur le linge et non pas sur la lampe, le miroir ou les surfaces environnantes.

Ne pas utiliser de nettoyants abrasifs sur aucune partie du dispositif d'éclairage.

# Liste des pièces pour les lampes modulaires MP/MT3.5T5

## 1. Dispositifs d'éclairage



## 2. Panneaux de verre

4 Panneaux de verre latéraux

2 Panneaux de verre arrière

## 3. Lampes fluorescentes

2 lampe fluorescente T5

## 4. Sac de quincaillerie [216-1014]\* • Contient les éléments suivants :

4 Griffes à charnières [SS666\*] \_\_\_\_\_

10 Cache-vis gris [SS672\*] \_\_\_\_\_

16 Vis #10 x 1/2" (12,7 mm) [SS676\*] \_\_\_\_\_

4 Vis #10 x 5/8" (15,8 mm) [SS584\*] \_\_\_\_\_

12 Connecteurs de fils [SS705\*] \_\_\_\_\_

8 Vis de serrage [216-1016\*] \_\_\_\_\_

10 Bagues à oreilles [211-1025\*] \_\_\_\_\_



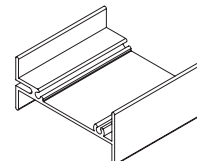
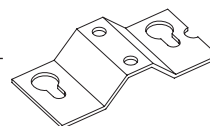
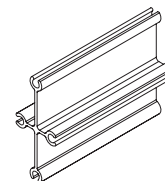
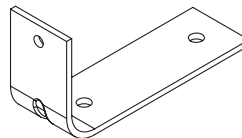
## 5. Pièces de montage

4 Supports en L [SS564\*] \_\_\_\_\_

4 Supports croisés [R0600300M\*] \_\_\_\_\_

4 Supports de trous de serrure [R055011QM\*] \_\_\_\_\_

4 Blocs de raccordement [R065027EM\*] \_\_\_\_\_



\* Numéro de pièce de l'article

---

## Garantie limitée d'une durée d'un an

ROBERN certifie à l'acheteur initial qu'il, selon l'obligation d'opter, réparera, remplacera ou effectuera les réglages adéquats des produits fabriqués par cette compagnie présentant des défauts majeurs reliés aux matériaux ou à la fabrication ayant été signalés à ROBERN par écrit à l'intérieur d'un (1) an suivant la date de livraison. ROBERN n'est pas responsable des coûts reliés au montage.

La garantie est nulle advenant l'endommagement du produit en cours de route, ou si les dommages ou la défaillance découle d'un usage abusif, d'une mauvaise utilisation, d'un usage irrégulier, d'un montage inadéquat, d'un endommagement lors d'un accident, d'un entretien inadéquat ou de toute réparation effectuée sans le consentement de ROBERN. Au terme de la garantie d'un an, ROBERN ne sera pas tenu responsable sous aucune garantie, formelle ou tacite, incluant la garantie tacite de la qualité marchande.

ROBERN ne sera pas tenu responsable de tout dommage indirect découlant ou relié à l'utilisation ou le rendement de ses produits. Certains états ne permettent pas les limitations ayant trait à la durée d'une garantie tacite ou ne permettent pas l'exclusion ou la limitation des dommages accessoires ou indirects, c'est pourquoi la limitation ou l'exclusion ci-dessus peut ne pas vous concerner.

Toute responsabilité de la part de ROBERN conformément à toute garantie tacite, incluant la garantie de la qualité marchande, est formellement limitée aux conditions de cette garantie. Le retour de toute marchandise conformément à cette garantie doit être fait avec le consentement de ROBERN et doit être acquitté à l'avance par l'acheteur. Toute demande de réclamation conformément à cette garantie devrait être acheminée directement à votre détaillant.

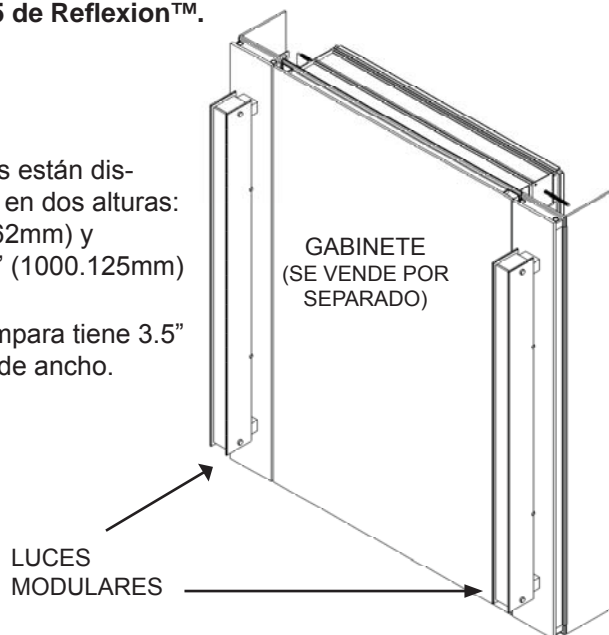


## LUCES MODULARES MP/MT3.5T5 REFLEXION™ INSTRUCCIONES PARA LA INSTALACIÓN

Esta hoja de instrucciones contiene información sobre cómo instalar las luces modulares MP3.5T5 y MT3.5T5 de Reflexion™.

Las luces están disponibles en dos alturas:  
30" (762mm) y  
39 3/8" (1000.125mm)

Cada lámpara tiene 3.5" (89mm) de ancho.



**NOTA:** Para obtener información sobre la instalación de gabinetes, vea las Instrucciones de Instalación incluidas con los gabinetes.

Al instalar las luces, siga estos pasos:

1. Lea la sección de "Notas generales" que se encuentra más abajo.
2. Lea "Determinando las dimensiones" en la página 26.

**ADVERTENCIA:** Para prevenir el daño a las luces y/o puertas del gabinete debido a una colisión: antes de comenzar la instalación de las luces, instale los sostenes de las bisagras (vea la Lista de Partes en la página 35). Ajuste los sostenes de las bisagras sobre el codo de la bisagra en los agujeros ubicados en la bisagra del gabinete. Para mayor información, vea las Instrucciones de Instalación.

3. Lea las instrucciones específicas para instalar sus luces. Éstas se pueden montar de las formas siguientes:
  - Montaje empotrado (véase "Instalando las luces con un gabinete empotrado" en la página 27)
  - Montaje en superficie (véase "Instalando las luces con un gabinete montado en la superficie" en la página 29)
  - Montaje en Grupo (véase "Instalando las luces con un gabinete en grupo" en la página 30)
4. Lea "Cableando la luminaria" en la página 32. Note que el cableado es un proceso de dos pasos. Primero el cableado se suministra a la caja eléctrica y luego el ensamblaje delantero de vidrio se conecta a la caja eléctrica.
5. Lea "Instalando luces y paneles de vidrio" y "Ajustes y mantenimiento" en la página 34.

### Notas generales

Desempaque las luces. Revise la caja cuidadosamente para que no se hayan quedado herramientas o partes sueltas de lo siguiente:

- Luces reflejantes
- Lámparas fluorescentes
- Extremos de las luces
- Bolsa de herramientas
- Herramientas para montaje

Asegúrese que usted tenga todo el contenido que se mencionó anteriormente y el que se encuentra en la Lista de Partes en la página 35.

Las luces están diseñadas para colocarse en gabinetes MP/MT de Robern. Para mayor información sobre la instalación de gabinetes, vea las instrucciones que se envían con los gabinetes.

El MP3.5T5 acepta lámparas fluorescentes 21W T5.  
El MT3.5T5 acepta lámparas fluorescentes 14W T5.

**Esta luminaria no se puede usar con un interruptor atenuador de luz.**

Esta luminaria agrega 3.5" (89mm) o 7" (178mm) por par al ancho general de la instalación de un gabinete. Consulte la información de dimensiones en la página 26 para calcular los tamaños generales y las aberturas de la pared para las combinaciones de empotramiento.

Estas luces están listadas en UL o CUL para las ubicaciones de humedad.

Conserve estas instrucciones para uso y referencia futura. Una instalación inadecuada invalida la garantía. Las luces instaladas no se pueden devolver. Si usted tiene algún problema con sus luces, contacte a su concesionario o directamente a Robern.

**Robern • 701 N. Wilson Ave • Bristol, PA 19007  
1-800-877-2376 • FAX 1-215-826-9666**

*Garantía limitada — Plazo de un año (vea la página 36)*

## Determinando las dimensiones

Las luces MP/MT3.5T5 son modulares y se pueden instalar en muchas combinaciones diferentes con los gabinetes de la serie MP/MT. El tamaño general de los gabinetes y las luces se determina por las dimensiones generales de las unidades ensambladas. Antes de cortar cualquier agujero en la pared, determine las dimensiones generales.

Vea la Figura A para un ejemplo (usando un gabinete MT16D4FBN y una luz MT3.5T5) que muestra las dimensiones generales y las dimensiones de abertura en bruto.

### Determinando el ancho:

1. Determine el ancho delantero del gabinete/luces. Agregue 3 1/2" (89mm) para cada luz; 7" por el par de luces (178mm).

#### ANCHOS COMBINADOS para 2 LUCES/1 GABINETE:

MP16 o MT16 = 22 1/4" (565.15mm) de ancho

MP20 o MT20 = 26 1/4" (666.75mm) de ancho

MP24 o MT24 = 30 1/4" (768.35mm) de ancho

2. Si usted está combinando múltiples gabinetes y luces, agregue los anchos para cada gabinete y luz para determinar el ancho general.
3. **Reste 3/4" (19.05mm) del ancho total para determinar la longitud horizontal de la abertura en bruto.**

**NOTA: Se debe seguir estrictamente esta dirección para que el gabinete y las luces se instalen adecuadamente.**

### Determinando la altura:

1. Determine la altura delantera de la combinación del gabinete/luz.

#### ALTURAS COMBINADAS DE LAS LUCES/GABINETE:

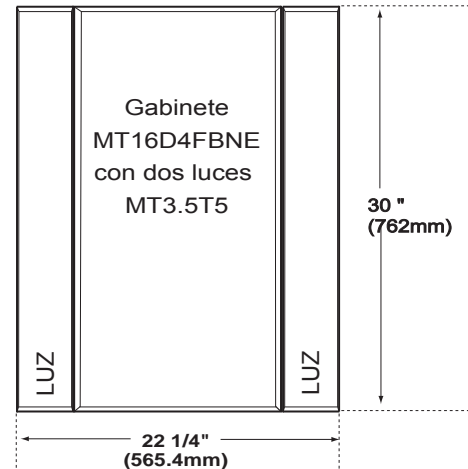
MT Plano = 30" (762mm) de alto

MP Plano = 39 3/8" (1000.125mm) de alto

2. **Reste 3/4" (19.05mm) de la altura total para determinar la longitud vertical de la abertura en bruto.**

**NOTA: Se debe seguir estrictamente esta dirección para que el gabinete y las luces se instalen adecuadamente.**

**Figura A: EJEMPLO DE LAS DIMENSIONES GENERALES**



### DIMENSIONES DE LA ABERTURA EN BRUTO

Altura: 29 1/4" (30" - 3/4")

742.9mm (762mm - 19.1mm)

Ancho: 21 1/2" (22 1/4" - 3/4")

## Instalando las luces con un gabinete empotrado

### ¡IMPORTANTE!

La abertura en bruto debe estar enmarcada de los cuatro lados y por lo menos debe tener 3 $\frac{3}{4}$ " (95.25mm) de profundidad para los gabinetes D4, 5 $\frac{3}{4}$ " (146.05mm) para los gabinetes D6 y 7 $\frac{3}{4}$ " (196.85mm) de profundidad para gabinetes D8 (al estar completamente empotrados).

Con el montaje empotrado, primero se colocan las luces a los gabinetes, luego se quitan y luego el gabinete se instala en la pared. Luego, se termina el cableado y las luces se vuelven a colocar a los gabinetes.

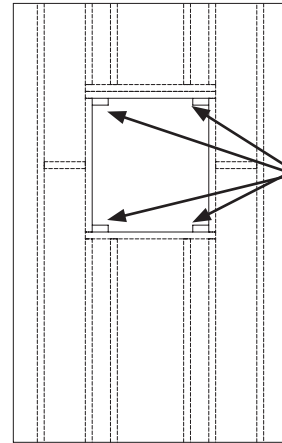
**NOTA:** Una luminaria es la "Maestra", tiene una caja eléctrica; la otra luz es el "Remoto" y no tiene una caja eléctrica. Para mayor información, vea "Cableado la luminaria" en la página 32.

1. Vea "Determinando las dimensiones" en la página 26 para determinar su abertura en bruto. Siga las instrucciones proporcionadas con los gabinetes para preparar la abertura en bruto. Agregue bloques de madera de 2x4 a la abertura como se muestra en la Figura B.
2. Prepare sus conexiones de cable (para mayor información, vea el paso 1 en "Cableado la luminaria" en la página 32).
3. Monte los bloques de conexión (R065027EM) suministrados para cada lado del gabinete (para facilitar la instalación recomendamos que primero "pre-atornille" los tornillos proporcionados en los bloques de conexión, luego quítelos temporalmente). Usando los tornillos (SS676) del #10 x 1/2", coloque un bloque de conexión en la parte superior e inferior del lado derecho de los gabinetes como se muestra en la Figura C. Repita el procedimiento para el lado izquierdo.

**NOTA:** Si usted está instalando las luces **entre dos gabinetes**, se debe comprar por separado un kit para "montaje en grupo". Los bloques de conexión del kit para montaje en grupo serán sustituidos por los bloques de conexión que se proporcionan con las luces sólo en una instalación para "montaje en grupo".

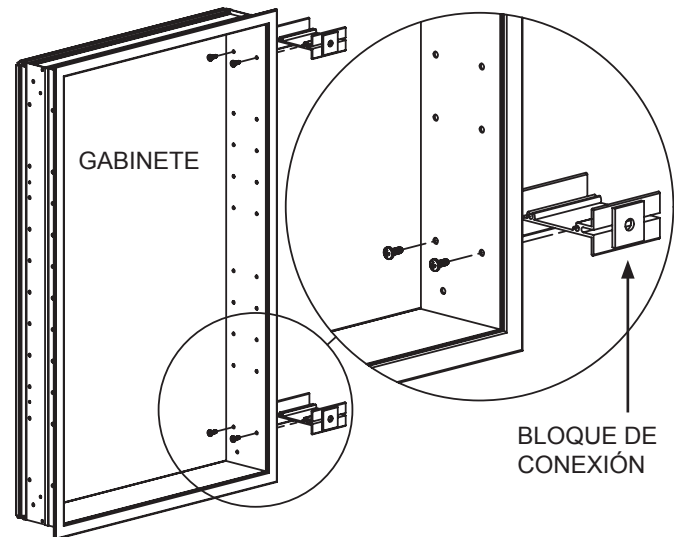
4. Desmonte ambas luminarias quitando los dos tornillos (parte superior e inferior de cada luz) y luego el panel lateral de la caja eléctrica como se muestra en la Figura D. (Note que la luminaria Remota no tiene una caja eléctrica).

### Figura B: ABERTURA EN BRUTO

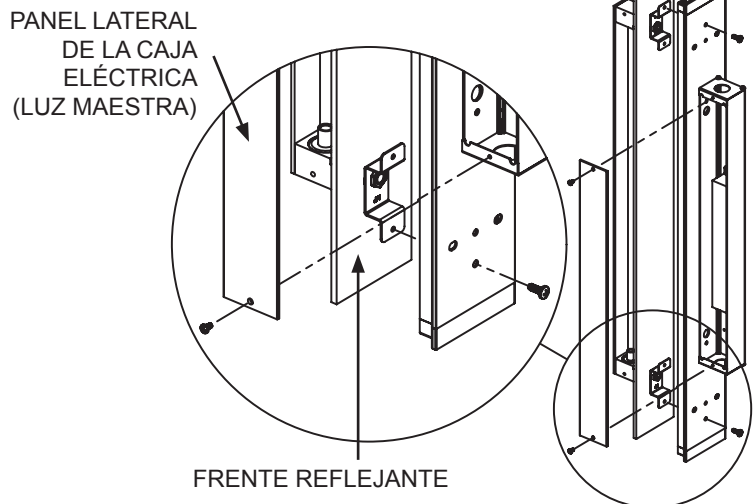


Instale un bloque de 2x4 en cada esquina de la abertura en bruto. Los gabinetes se atornillan en los bloques.

### Figura C: BLOQUES DE CONEXIÓN



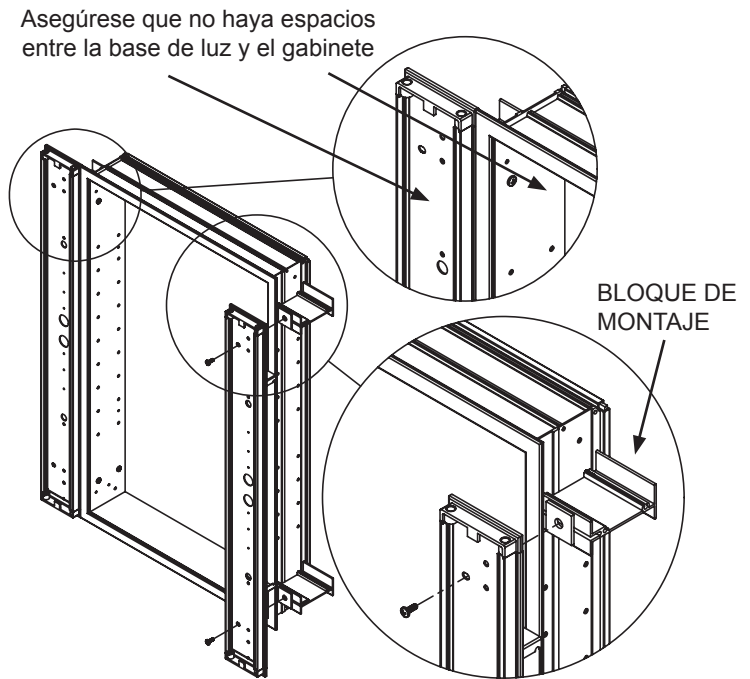
### Figura D: DESMONTE LAS LUCES



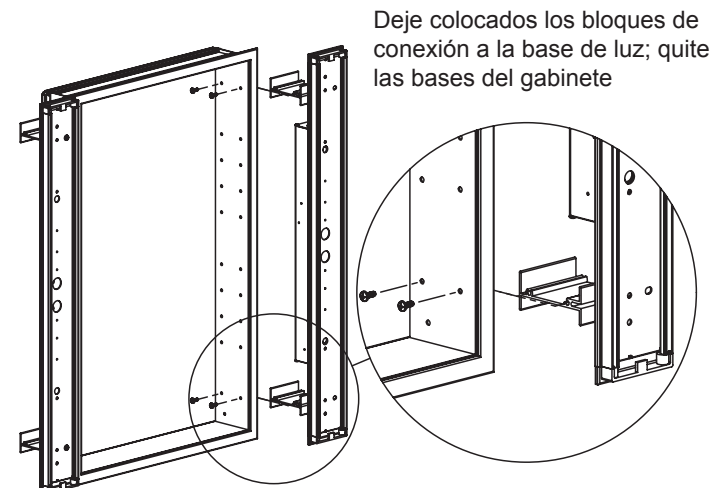
## Instalando las luces con un gabinete empotrado (continuación)

- Usando los tornillos (SS584) del #10 x 5/8" proporcionados, coloque ambas bases de luz a los bloques de montaje como se muestra en la Figura E. Asegúrese que las bases de luz estén fijas a la junta de goma de los gabinetes y que no haya espacio entre la base de luz y el gabinete como se muestra. Instale los tornillos a través de los dos agujeros en cada luz como se muestra en la Figura E.
- Una vez que las luces estén alineadas con el gabinete, éstas se deben quitar temporalmente para que se pueda terminar el cableado. Quite los tornillos (dos en la parte superior y dos en la parte inferior en cada luz) que aseguran los bloques de conexión a los lados del gabinete como se muestra en la Figura F. Deje los bloques de conexión colocados en las bases de luz y quite las bases del gabinete.
- Monte el gabinete a los bloques de madera de 2x4. Coloque el gabinete en la abertura en bruto. Usando los tornillos proporcionados con su gabinete, inserte un tornillo aproximadamente a la mitad a través de una esquina superior y uno en la esquina inferior opuesta del gabinete en los bloques de madera de 2x4 (como se muestra en la Figura G). (Para mayor información vea las Instrucciones de Instalación proporcionadas con el gabinete). Esto le permite al gabinete moverse a la izquierda/derecha para ayudar en la instalación de las luces.
- Conecte cada base de luz. Para mayor información vea los pasos 2-5 en "Cableando la luminaria" en la página 32.
- Vuelva a ensamblar cada luz revirtiendo las instrucciones en el paso 4 y Figura D en la página 27.
- Vuelva a colocar la base de luz revirtiendo las instrucciones en el paso 6 y Figura F.
- Asegúrese que el gabinete esté centrado, nivelado y a plomo y luego apriete los tornillos usados en el paso 7. Atornille las otras esquinas del gabinete a los bloques de madera de 2x4 usando el resto de los tornillos proporcionados.
- Vea "Instalando lámparas y paneles de vidrio" en la página 34 para terminar su instalación.

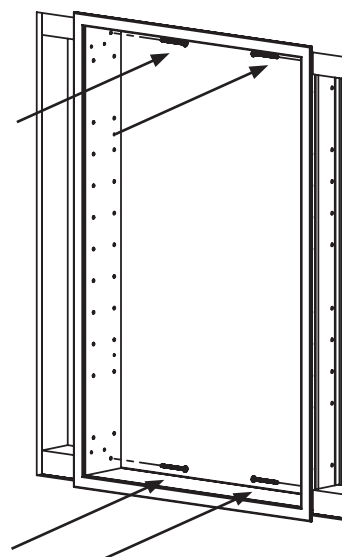
### Figura E: MONTAR LA LUZ AL GABINETE



### Figura F: QUITA LA LUZ DEL GABINETE



### Figura G: GABINETE INSTALADO



**NOTA:**  
Los tornillos pasan a través de las cuatro esquinas del gabinete para sujetarlo a los bloques de 2x4.

#### NOTA SOBRE LOS GABINETES/LUCES PARCIALMENTE EMPOTRADOS

Cuando se empotran parcialmente los gabinetes y las luces (por ejemplo, instalando un gabinete de 6" (152.4mm) de profundidad en una abertura de 4" (101.6mm) de profundidad), siga las instrucciones proporcionadas con el juego de laterales MPSK40-D2 o D4 y vea "Montando el juego de laterales" en la página 32.

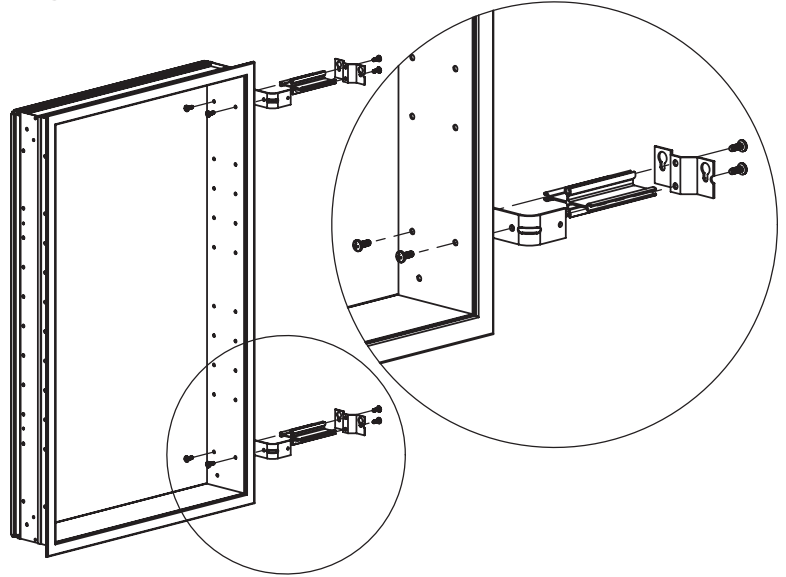
## Instalando las luces con un gabinete montado en la superficie

1. Monte sus gabinetes como se muestra en las instrucciones proporcionadas con el gabinete.
2. Coloque las soporte en L (SS564), soportes cruzados (R0600300M) y soportes de bocallave (R055011QM) como se muestra en la Figura H, usando los tornillos (SS676) del #10 x 1/2". Para facilitar la instalación, se recomienda que primero usted "pre-atornille" los tornillos suministrados en los soportes y luego los quite.

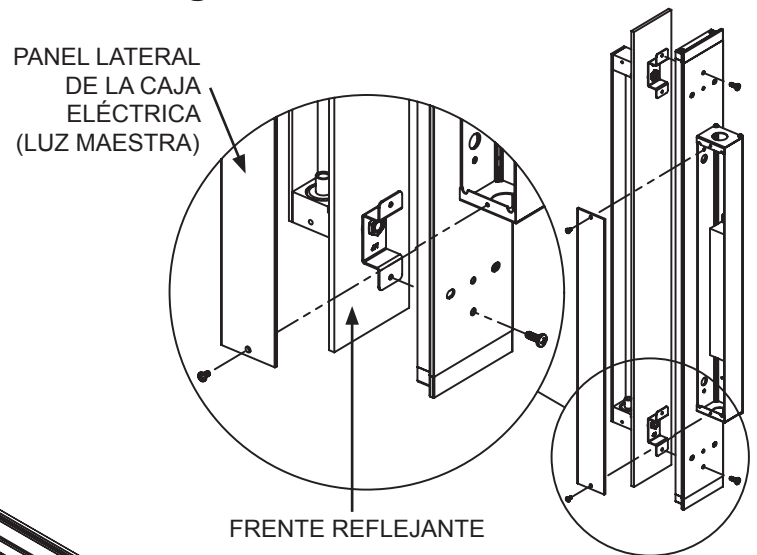
**NOTA:** Si usted está instalando las luces **entre dos gabinetes**, se debe comprar por separado un kit para "montaje en grupo". Los bloques de conexión del kit para montaje en grupo serán sustituidos por los soportes en L, soportes cruzados y soportes de bocallave que se proporcionan con las luces.

3. Desmonte ambas luminarias quitando los dos tornillos (parte superior e inferior de cada luz) y luego el panel lateral de la caja eléctrica como se muestra en la Figura I. (Note que la luminaria Remota no tiene una caja eléctrica).
4. Conecte cada base de luz. Para mayor información vea "Cableando la luminaria" en la página 32.
5. Usando los tornillos (SS584) del #10 x 5/8" proporcionados, coloque ambas bases de luz en los bloques de montaje como se muestra en la Figura J. Asegúrese que las bases de luz estén fijas a la junta de goma de los gabinetes y que no haya espacio entre la base de luz y el gabinete como se muestra.
6. Vuelva a ensamblar cada luz revirtiendo las instrucciones en el paso 3.
7. Vea "Instalando lámparas y paneles de vidrio" en la página 34 para terminar su instalación.

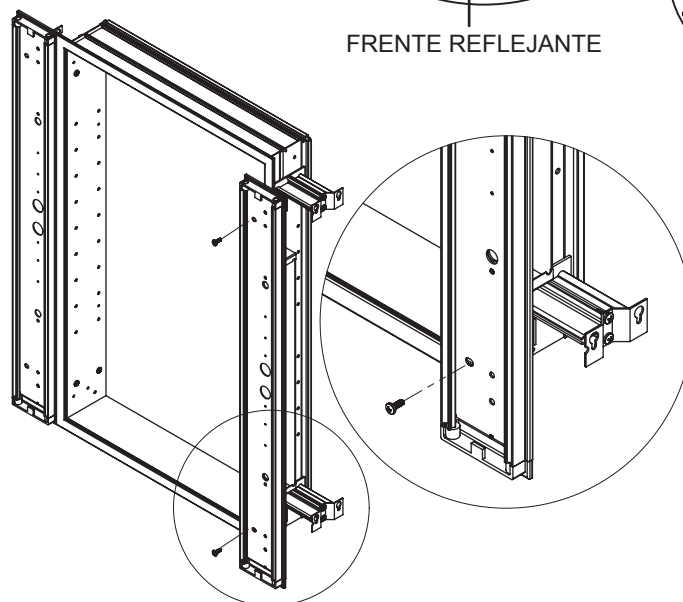
**Figura H: COLOQUE LOS SOPORTES**



**Figura I: DESMONTE LAS LUCES**



**Figura J: SUJETE LAS LUCES A LOS SOPORTES**



## Instalando las luces con un gabinete en grupo

### ¡IMPORTANTE!

La abertura en bruto debe estar enmarcada de los cuatro lados y por lo menos debe tener 3¾" (95.25mm) de profundidad para los gabinetes D4, 5¾" (146.05mm) para los gabinetes D6 y 7¾" (196.85mm) de profundidad para gabinetes D8 (al estar completamente empotrados).

**NOTA:** Si usted está instalando las luces **entre dos gabinetes**, se debe comprar por separado un kit para "montaje en grupo". Los bloques de conexión del kit para montaje en grupo serán sustituidos por los bloques de conexión que se proporcionan con las luces sólo en una instalación "en grupo".

Al montar en grupo, las luces primero se colocan en los gabinetes, luego se quitan y después los gabinetes se instalan en la pared. Luego, se completa el cableado y las luces se vuelven a colocar en los gabinetes.

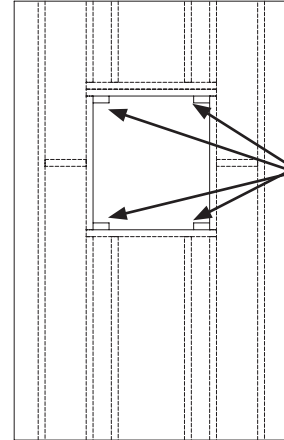
**NOTA:** Una luminaria es la "Maestra", tiene una caja eléctrica; la otra luz es el "Remoto" y no tiene una caja eléctrica. Para mayor información, vea "Cableado la luminaria" en la página 32.

1. Vea "Determinando las dimensiones" en la página 26 para determinar su abertura en bruto. Siga las instrucciones proporcionadas con los gabinetes para preparar la abertura en bruto. Agregue bloques de madera de 2x4 a la abertura como se muestra en la Figura K.
2. Prepare sus conexiones de cable (para mayor información, vea el paso 1 en "Cableado la luminaria" en la página 32).

**NOTA:** Para montar gabinetes **entre luces**, vaya al paso 3, luego sáltese el paso 4; para montar las **luces en el exterior** de los gabinetes, vaya directamente al paso 4.

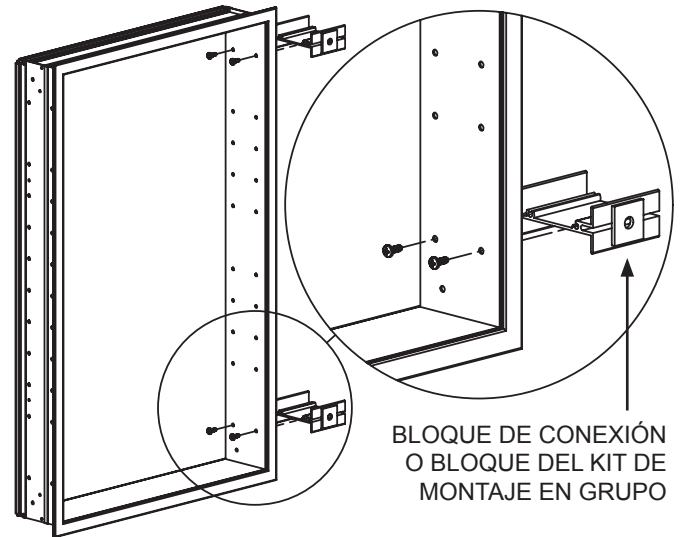
3. Usando los bloques del kit de montaje en grupo (R065047EM) proporcionados con su kit de montaje en grupo (vendido por separado), monte los dos bloques del kit de montaje en grupo al lado del primer gabinete (para facilitar la instalación recomendamos que primero "pre-atornille" los tornillos proporcionados en los bloques del kit de montaje en grupo, luego quítelos temporalmente). Usando los tornillos (SS676) del #10 x 1/2", coloque un bloque del kit de montaje en grupo en la parte superior e inferior del lado de los gabinetes como se muestra en la Figura L. Usando el mismo procedimiento, conecte el siguiente gabinete a los bloques del kit de montaje en grupo. Repita el procedimiento para conectar los gabinetes adicionales.
4. Usando los tornillos (SS676) del #10 x 1/2" suministrados, monte dos bloques de conexión a cada lado del gabinete (para facilitar la instalación recomendamos que primero "pre-atornille" los tornillos proporcionados en los bloques de conexión y luego los quite temporalmente). Usando los tornillos proporcionados, coloque un bloque de conexión en la parte superior e inferior del lado derecho de los gabinetes como se muestra en la Figura L. Repita el procedimiento para el lado izquierdo.
5. Desmonte ambas luminarias quitando los dos tornillos (parte superior e inferior de cada luz) y luego el panel lateral de la caja eléctrica como se muestra en la Figura M. (Note que la luminaria Remota no tiene una caja eléctrica).

### Figura K: ABERTURA EN BRUTO



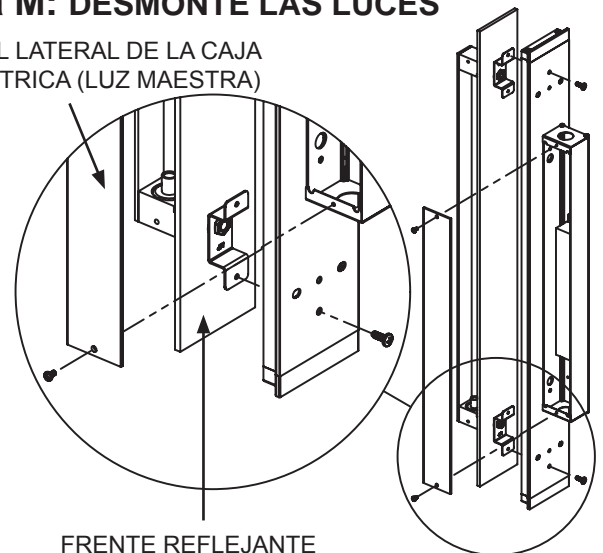
Instale un bloque de 2x4 en cada esquina de la abertura en bruto. Los gabinetes se atornillan en los bloques.

### Figura L: BLOQUES DE CONEXIÓN



### Figura M: DESMONTE LAS LUCES

PANEL LATERAL DE LA CAJA ELÉCTRICA (LUZ MAESTRA)

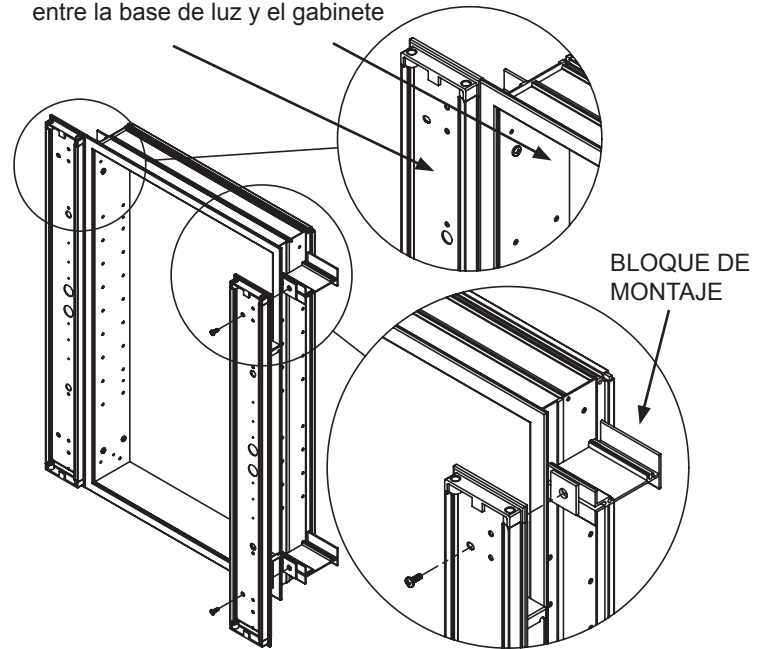


## Instalando las luces con un gabinete en grupo (continuación)

6. Usando los tornillos (SS584) del #10 x 5/8" proporcionados, coloque las bases de luz en los bloques de montaje como se muestra en la Figura N. Asegúrese que las bases de luz estén fijas a la junta de goma de los gabinetes y que no haya espacio entre la base de luz y el gabinete como se muestra. Instale los tornillos a través de los dos agujeros en cada luz como se muestra en la Figura N.
7. Una vez que las luces estén alineadas con el gabinete, éstas se deben quitar temporalmente para que se pueda terminar el cableado. Quite los tornillos (dos en la parte superior y dos en la parte inferior en cada luz) que aseguran los bloques de conexión a los lados del gabinete como se muestra en la Figura O. Deje los bloques de conexión y de montaje en grupo colocados en las bases de luz y quite las bases del gabinete.
8. Comience a instalar los gabinetes desde el centro, luego avance a la izquierda o derecha. Corte los bloques de madera de 2x4 a 4 1/8" (104.8mm) y colóquelos en la parte superior e inferior. Luego los gabinetes se fijan a estos. Vea la Figura K en la página 30.
9. Continúe la instalación como se describe en la sección de montaje en grupo de las Instrucciones de Instalación del gabinete.
10. Conecte cada base de luz. Vea los pasos 2-5 en "Cableado la luminaria" en la página 32 para mayor información.
11. Vuelva a ensamblar cada luz revirtiendo las instrucciones en el paso 5 y Figura M en la página 30.
12. Vuelva a colocar la base de luz revirtiendo las instrucciones en el paso 7 y Figura O.
13. Vea "Instalando lámparas y paneles de vidrio" en la página 34 para terminar su instalación.

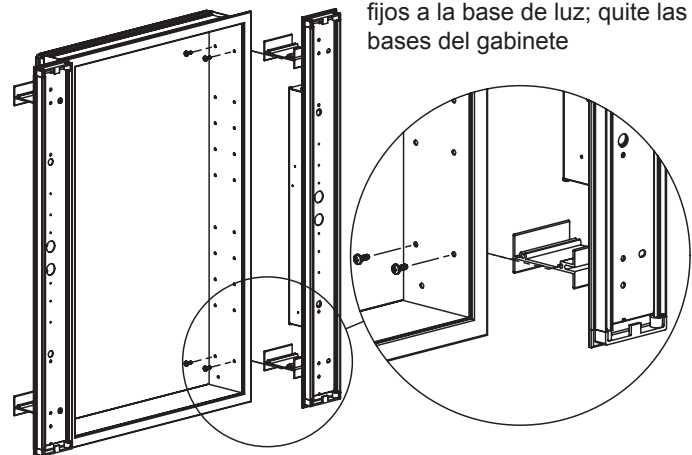
### Figura N: MONTAR LA LUZ AL GABINETE

Asegúrese que no haya espacios entre la base de luz y el gabinete



### Figura O: QUITE LA LUZ DEL GABINETE

Deje los bloques de conexión fijos a la base de luz; quite las bases del gabinete

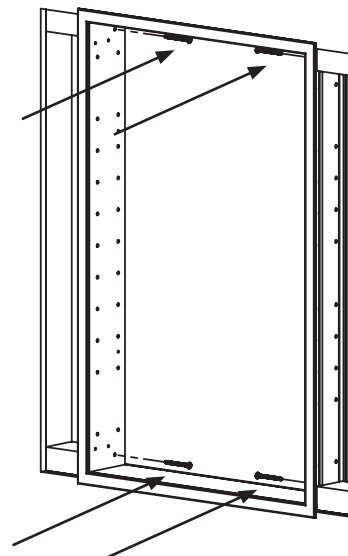


### Figura P: GABINETE INSTALADO

#### NOTA SOBRE LOS GABINETES/LUCES PARCIALMENTE EMPOTRADOS

Cuando se empotran parcialmente los gabinetes y las luces (por ejemplo, instalando un gabinete de 6" (152.4mm) de profundidad en una abertura de 4" (101.6mm) de profundidad), siga las instrucciones proporcionadas con el juego de laterales MPSK40-D2 o D4 y vea "Montando el juego de laterales" en la página 32.

**NOTA:**  
Los tornillos pasan a través de las cuatro esquinas del gabinete para fijarlo a los bloques de 2x4.



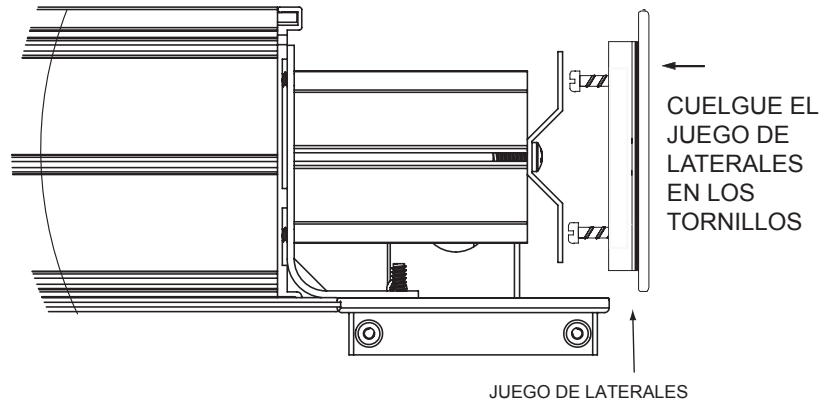
## Montando el juego de laterales

El juego de laterales se compra por separado de las luces. Se usa para terminar los lados de una luz montada en la superficie o parcialmente empotrada.

Para instalar el juego de laterales:

1. Coloque los juegos de laterales alineando las cabezas de los tornillos en el juego de laterales con los agujeros de los soportes de bocallave que se instalaron anteriormente. Vea la Figura Q.

Figura Q: JUEGO DE LATERALES



## Cableando la luminaria

### PELIGRO:

Para reducir el riesgo de electrocución, apague la electricidad antes de cablear el gabinete.

### PRECAUCIÓN:

Instrucciones de puesta a tierra para productos conectados permanentemente: Este producto debe conectarse a un sistema de cableado permanente de metal y puesto a tierra o se debe correr un conductor de puesta a tierra del equipo con los conductores de circuito y conectarse a la terminal de puesta a tierra del equipo o dirigir el producto.

Todo el cableado debe realizarse por un eléctrico calificado.

### IMPORTANTE:

La electricidad para las luces se debe proporcionar por separado de la electricidad al gabinete para que cuando se apaguen las luces, permanezca encendida la electricidad del gabinete.

### NOTA:

Requiere un circuito de 120 VAC 20.

### PRECAUCIÓN:

Las luces deben estar conectadas a un GFI (Interruptor de Falla a Tierra) de 20 Amp cuando se usen en baños y otras ubicaciones requeridas por el Código Eléctrico Nacional.

### PRECAUCIÓN:

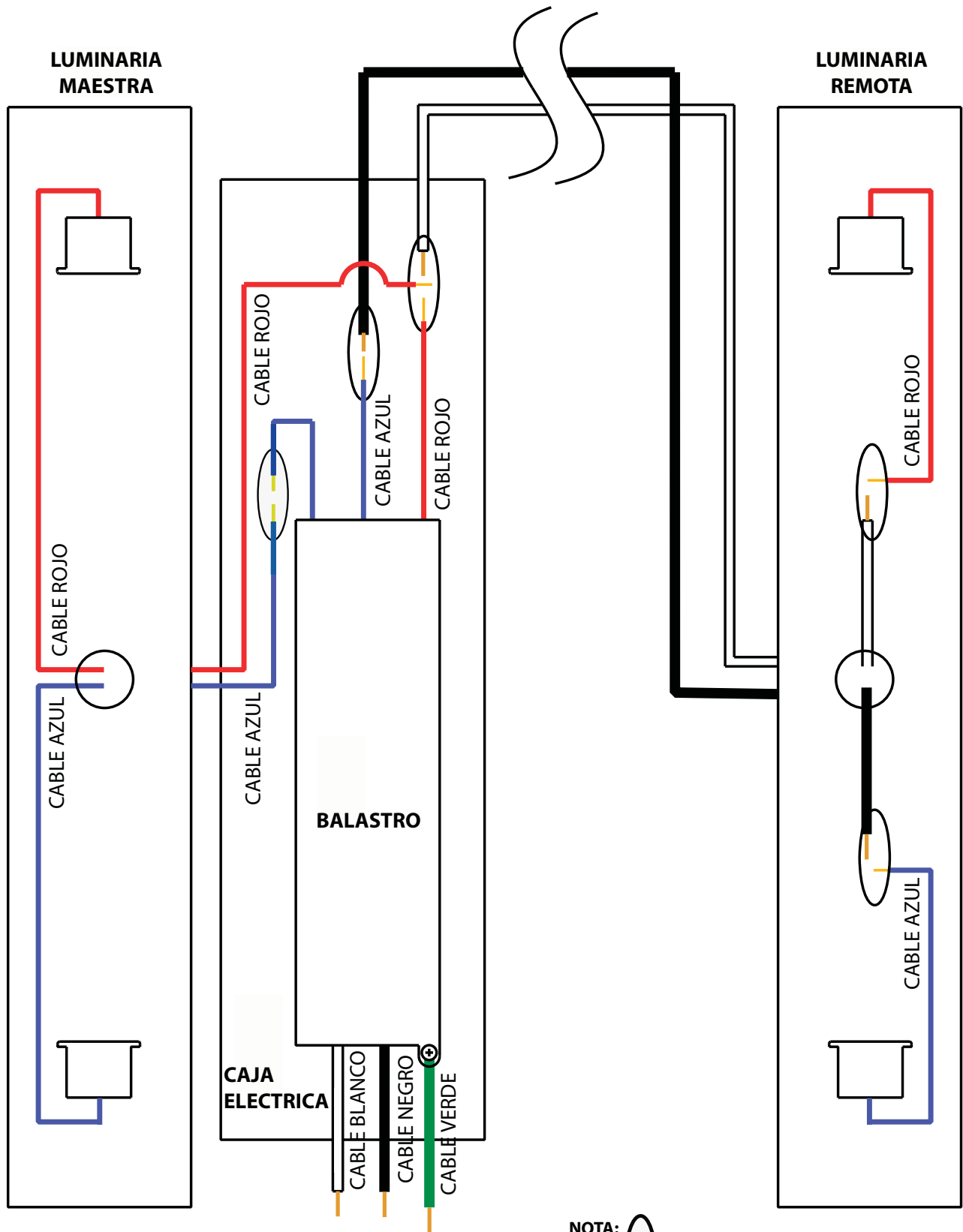
Conecte las luces a un interruptor GFI de 20 Amp y a un panel interruptor de acuerdo con las instrucciones del fabricante.

El par de luminarias está cableado a un interruptor de pared y configurado para que una luz sea la "Maestra" y la otra sea la "Remota". La luz Maestra tiene una caja eléctrica que contiene las conexiones de suministro y a tierra así como las conexiones de Maestra a Remota para el cable Romex (un cable estándar para el hogar) proporcionado por su cuenta.

1. Conecte las luminarias de acuerdo con los códigos eléctricos locales y como se muestra en la Figura R en la página 33.
2. Dirija el cable de suministro proporcionado por su cuenta a la ubicación esperada de la caja eléctrica en la luminaria maestra.
3. Dirija el cable Romex maestro a remoto proporcionado por su cuenta.
4. Haga las conexiones de cables como se muestra en la Figura R en la página 33 usando los conectores de cable suministrados (SS705).
5. Una vez terminado el cableado, regrese a las instrucciones para completar la instalación de las luminarias:
  - Si se va a empotrar, regrese a las instrucciones en la página 28, paso 9.
  - Si se va a montar en la superficie, regrese a las instrucciones en la página 29, paso 5.
  - Si se va a montar en grupo, regrese a las instrucciones en la página 31, paso 11.



Figura R: DIAGRAMA DEL CABLEADO



NOTA:  REPRESENTA LA CONEXION DE CAMPO

## Instalando lámparas y paneles de vidrio

### Instalando las lámparas

#### NOTA

El MP3.5T5 usa:

Lámparas fluorescentes de 21W T5

El MT3.5T5 usa:

Lámparas fluorescentes de 14W T5

**No use ningún otro tipo de foco ya que podría dañar la luminaria.**

**PRECAUCIÓN: Riesgo de lesiones personales; desconecte la corriente antes de dar servicio.**

Note que cada base de luz tiene un socket fijo y un socket accionado por resorte.

1. Coloque los pines de la lámpara en el socket accionado por resorte, empuje la lámpara en el socket, voltee la lámpara y deslice los pines en el socket fijo (vea la Figura S).
2. Repita el procedimiento para todas las luces adicionales.

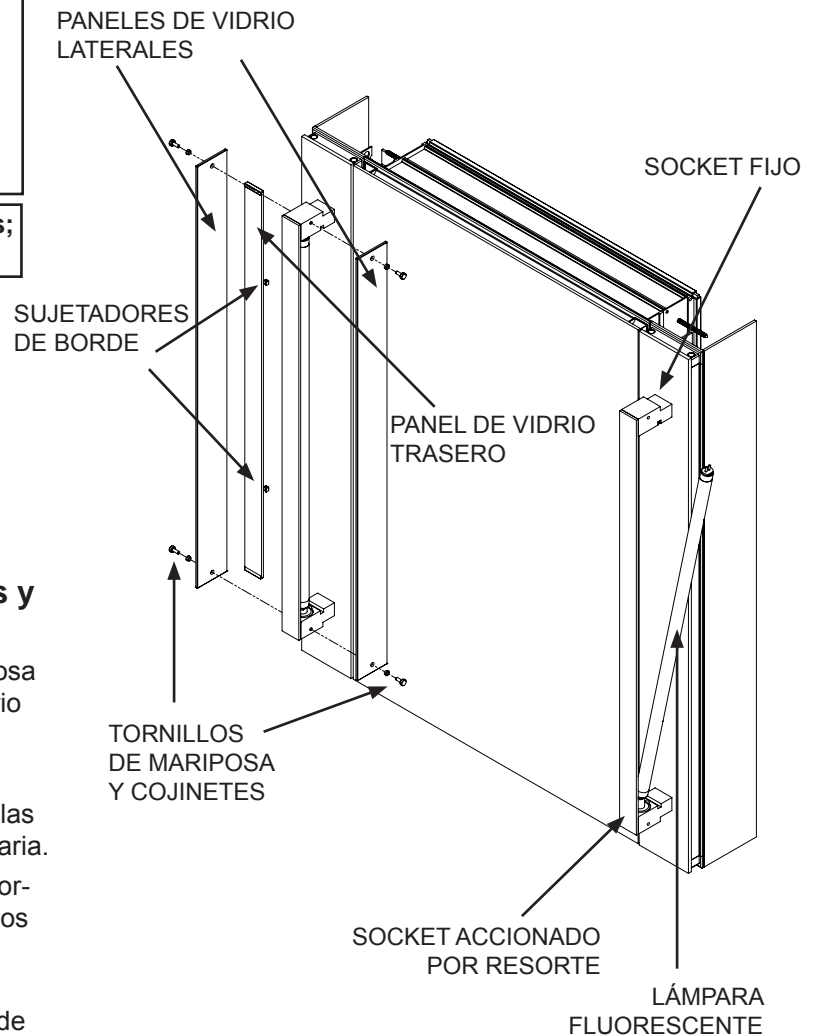
### Instalando los paneles de vidrio laterales y traseros

Usando los sujetadores de borde, tornillos de mariposa y los cojinetes, instale las piezas decorativas de vidrio como se muestra en la Figura S.

Repita estas instrucciones para cada luminaria:

1. Instale el panel de vidrio trasero deslizándolo en las ranuras en la parte superior e inferior de la luminaria.
2. Coloque cada panel de vidrio lateral usando los tornillos de mariposa (216-1016) y los cojinetes de los tornillos de mariposa (211-1025).
3. Coloque los sujetadores de borde de los paneles de vidrio traseros sobre los lados de cada panel de vidrio lateral.

### Figura S: INSTALANDO LÁMPARAS Y PANELES DE VIDRIO



## Ajustes y mantenimiento

### Cambiando las lámparas

**PRECAUCIÓN: Riesgo de lesiones personales; desconecte la corriente antes de dar servicio.**

1. Quite uno de los paneles de vidrio laterales soltando los sujetadores de borde y quitando los tornillos de mariposa y los cojinetes (vea la Figura S).
2. Quite la lámpara anterior deslizando los pines de la lámpara hacia afuera del socket fijo, deslizando la lámpara y jalando los pines fuera del socket accionado por resorte (vea la Figura S).
3. Instale una nueva lámpara como se describió anteriormente en "Instalando las lámparas".
4. Reemplace el panel de vidrio lateral como se describió anteriormente en los pasos 2 y 3 de "Instalando paneles de vidrio laterales y traseros".

### Limpieza y cuidado

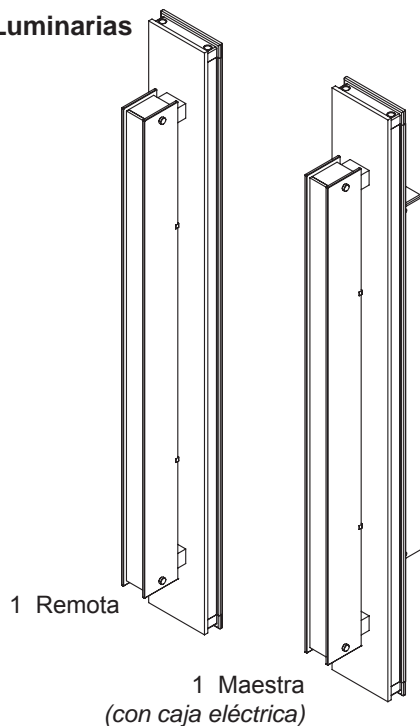
Las partes delanteras y laterales de las luces están construidas de vidrio reflejante y de aluminio anodizado. Solamente use un trapo húmedo para limpiar. Los limpiadores a base de vinagre o de amoníaco pueden dañar los espejos. Una solución de 50/50 agua y alcohol isopropílico se recomienda para limpiar las partes delanteras reflejantes. Se puede utilizar un detergente suave para las superficies.

Al limpiar, rocíe el trapo, no la luz, espejo, ni las superficies de alrededor.

No utilice limpiadores abrasivos en ninguna parte de la luz.

## Lista de partes para las luces modulares de MP/MT3.5T5

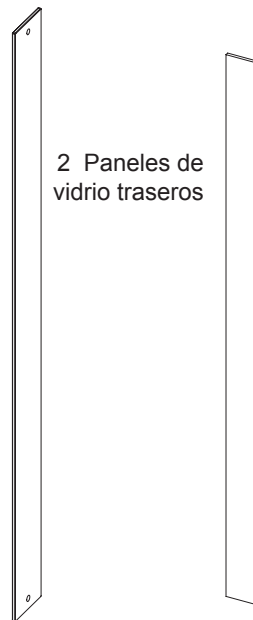
### 1. Luminarias



### 2. Paneles de vidrio

4 Paneles de vidrio laterales

2 Paneles de vidrio traseros



### 3. Lámparas fluorescentes

2 Lámpara fluorescente T5



### 4. Bolsa de herramientas [216-1014]\* • Contiene lo siguiente:

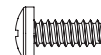
4 Sostenes de las bisagras [SS666\*]



10 Tapones para las cabezas de los tornillos grises [SS672\*]



16 Tornillos #10 x 1/2" (12.7mm) [SS676\*]



4 Tornillos #10 x 5/8" (15.8mm) [SS584\*]



12 Conectores de cable [SS705\*]



8 Tornillos de mariposa [216-1016\*]

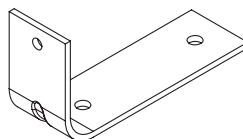


10 Cojinetes de los tornillos de mariposa [211-1025\*]

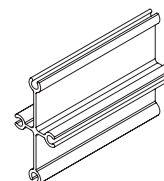


### 5. Herramientas para el montaje

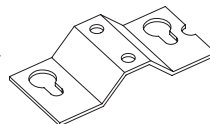
4 Soportes en L [SS564\*]



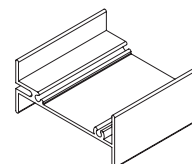
4 Soportes cruzados [R0600300M\*]



4 Soportes de bocallave [R055011QM\*]



4 Bloques de conexión [R065027EM\*]



\* Número de parte del artículo

---

## Garantía Limitada Término de Un Año

ROBERN garantiza al comprador original que, a opción de ROBERN, reparará reemplazará o hará los ajustes necesarios a los productos fabricados por esta compañía que muestren que tienen defectos importantes en los materiales o en la mano de obra y que se informen a ROBERN por escrito dentro de un (1) año a partir de la fecha de entrega. ROBERN no es responsable de los costos de la instalación.

La garantía está anulada si el producto se daña durante el transporte, o si el daño o la falla son causados por el abuso, el uso incorrecto, el uso anormal, una instalación deficiente, daños en un accidente, mantenimiento incorrecto, o reparaciones además de las aquellas autorizadas por ROBERN. Una vez expirado el período de garantía de un año ROBERN no estará bajo ninguna obligación adicional bajo ninguna garantía, expresa ni implícita, incluyendo la garantía implícita de comercialización.

ROBERN no será responsable de ningún daño consecuente que surja de o en conexión con el uso o el rendimiento de sus productos, algunos estados no permiten limitaciones con respecto a la duración de una garantía de una garantía implícita o no permiten la exclusión de ni la limitación de daños incidentales o consecuentes, de manera que es posible que la limitación o exclusión de más arriba no se aplique a usted.

Cualquier responsabilidad contra ROBERN bajo cualquier garantía implícita, incluyendo la garantía de comercialización, está expresamente limitada a los términos de esta garantía. La autorización para retornar cualquier mercadería bajo esta garantía debe ser aprobada por ROBERN y el retorno debe ser prepago por el comprador. Los reclamos sobre esta garantía se deberán enviar directamente a su distribuidor.