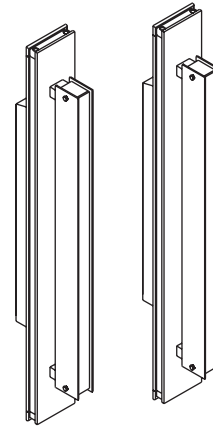


Features

- Compatible with 30" (76.2 cm) M Series and PL Series cabinets
- Can be mounted to a single cabinet or between ganged cabinets
- Clean, simple aesthetic
- Easily mounts for a seamless look
- Available in plain or beveled front mirrors
- Highly-efficient T5 fluorescent bulb for task activities
- T5 fluorescent bulbs are low profile and energy efficient
- Sold in pairs
- Plain or beveled back mirror
- 3-1/2" (8.9 cm) x 30" (76.2 cm) x 2-5/8" (6.7 cm)

MTFL3.5T5BCR ALSO MTFL3.5T5BBN, MTFL3.5T5PCR, MTFL3.5T5PBN



Codes/Standards Applicable

Specified model meets or exceeds the following:

- UL listed for damp locations
- California Title 24

Specified Model

Model	Description	
MTFL3.5T5BCR	Beveled mirror, chrome stanchion	<input type="checkbox"/>
MTFL3.5T5BBN	Beveled mirror, brushed nickel stanchion	<input type="checkbox"/>
MTFL3.5T5PCR	Plain mirror, chrome stanchion	<input type="checkbox"/>
MTFL3.5T5PBN	Plain mirror, brushed nickel stanchion	<input type="checkbox"/>

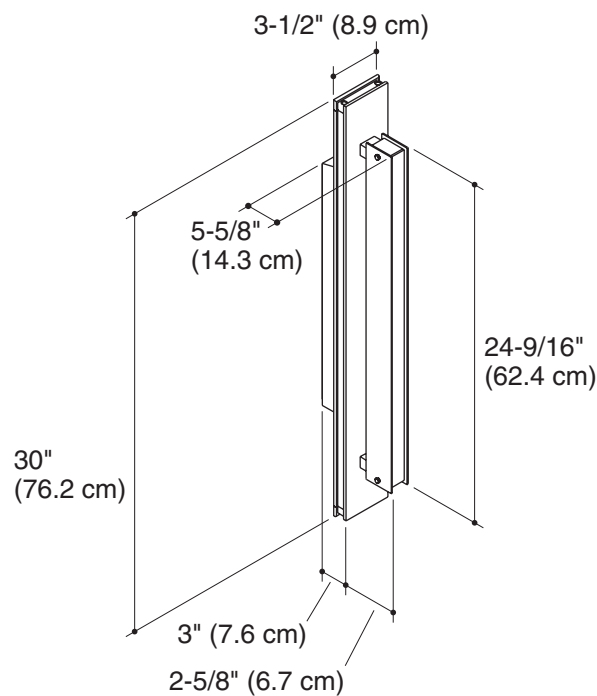
REFLEXION™ FLUORESCENT LIGHT

Installation Notes

Install this product according to the installation guide.

Line voltage fixture uses one T5 21 watt 3000K fluorescent bulb per fixture (Model # BULBT5212). Bulbs are included.

Light kit adds 7" (17.8 cm) to the overall width of a cabinet. Include this added width in the rough opening calculation.



Product Diagram