

# MPM / MTM Mirror and MPS Shelf System - Instructions

THE MPM / MTM SYSTEM OVERVIEW: WITH THE OPTIONAL MPS SHELF, THE SURFACE MOUNTED MIRROR PLUS MIRROR SYSTEM CONSISTS OF FOUR ELEMENTS:

1. THE MP OR MT SERIES CABINET.
2. THE MPM OR MTM WALL MIRROR
3. THE MPS SHELF
4. THE MPSK OR MTSK SIDE KIT

IT IS IMPORTANT TO UNDERSTAND THAT THE MPS SHELF BRACKETS MUST BE INSTALLED ON THE CABINETS FIRST BEFORE THE SIDE KITS. THE MPM WALL MIRROR IS HUNG ON ITS BRACKETS NEXT, THE SHELF IS INSTALLED IN ITS BRACKETS LAST. THE RECESSED MPM SYSTEM CANNOT USE THE MPS SHELF. IF YOU ARE USING WMH OR MPFL1.5 LIGHTS YOU WILL NEED TO INSTALL THESE LIGHTS (OR CABLE) BEHIND THE MIRROR. REFER TO WMH INSTALLATION SHEET SS532 OR M-FL1.5 INSTALLATION SHEET SS440.

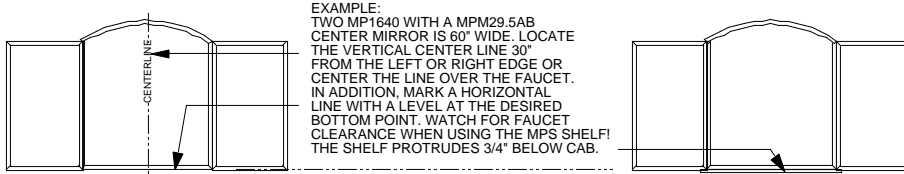
**IMPORTANT NOTE 1**

**NOTE 2: THE MSS SHELF FOR THE GLASS SINK DOES NOT USE BRACKETS**

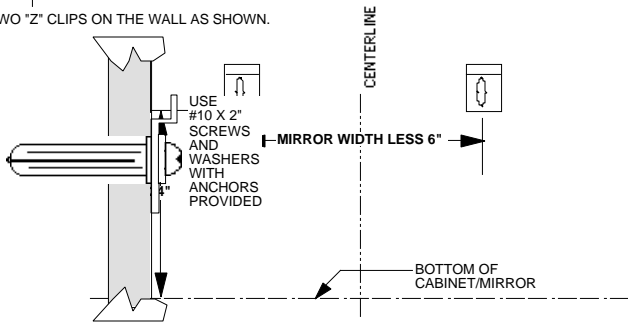
## A. LAYOUT AND INSTALLATION OF THE MPM / MTM WALL MIRROR.

1. LOCATING THE CENTER OF THE ENTIRE CABINET /MIRROR COMBINATION.

### A. LAYOUT AND INSTALLATION OF THE MPM / MTM WALL MIRROR.



2. PLACE THE TWO "Z" CLIPS ON THE WALL AS SHOWN.



3. TEST FIT THE MIRROR. ADJUST CLIPS IF NECESSARY. WITH A PENCIL, MARK THE LEFT AND RIGHT EDGES OF THE MIRROR. REMOVE THE MIRROR WHILE INSTALLING THE CABINETS. BE CAREFUL NOT TO CHIP THE EDGES.

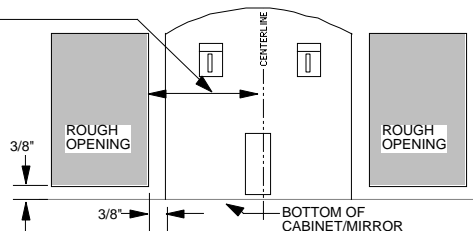
SECTION B DESCRIBES RECESSED MOUNTED CABINETS USED WITH THE MPM / MTM MIRROR. SECTION C DESCRIBES SURFACE MOUNTED CABINETS USED WITH THE MPM / MTM MIRROR. SECTION D DESCRIBES SURFACE MOUNTED CABINETS USED WITH THE MPS SHELF SYSTEM.

### B. RECESSED MOUNTED MP / MT CABINET LAYOUT AND INSTALLATION

1. FOLLOW THE ROUGH OPENING GUIDE ON PAGE 1 OF THE MP OR MT CABINET INSTALLATION SHEET AND THE DRAWING BELOW. BE SURE THE MPM / MTM MIRROR IS OFF THE WALL AND IN A SAFE PLACE BEFORE CUTTING OPENINGS.
- IMPORTANT• DO NOT SECURE CABINETS TO THE WALL UNTIL YOU TEST FIT THE MPM MIRROR BETWEEN THE CABINETS. SHIMMING MAY BE NECESSARY UNDER THE RECESSED PORTION OF THE CABINET.

**NOTE:**  
THIS DIMENSION IS  
1/2 MIRROR WIDTH + 3/8"

**EXAMPLE:**  
MPM29.5AB = 29 1/2" WIDE  
ONE HALF WIDTH = 14 3/4"  
14 3/4" + 3/8" = 15 1/8"



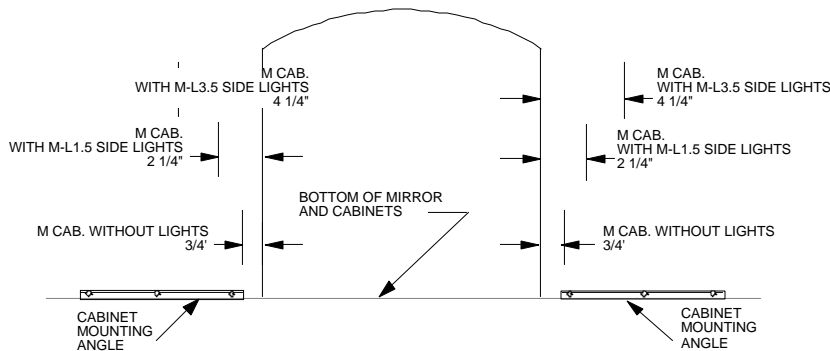
### C. SURFACE MOUNTED MP / MT CABINET LAYOUT AND INSTALLATION.

1. INSTALL THE MOUNTING ANGLE AS SHOWN ON PAGE 6 AND 7 OF YOUR CABINET INSTALLATION SHEET AND THE DRAWING BELOW. PLEASE NOTE THAT THE MOUNTING ANGLE MUST BE CLEAR OF THE EDGE OF THE CABINET ON THE MPM / MTM SIDE SO THAT THE MOUNTING ANGLE DOES NOT INTERFERE WITH THE SHELF BRACKET.

FOR THE MP16, MT1634, OR MT16 CUT THE MOUNTING ANGLE TO 14"  
FOR THE MP20, MT2034, OR MT20 CUT THE MOUNTING ANGLE TO 18"  
FOR THE MP24, MT2434, OR MT24 CUT THE MOUNTING ANGLE TO 22"

2. INSTALL THE MPS SHELF BRACKETS ON THE CABINETS BEFORE THE CABINETS ARE INSTALLED. SEE SECTION D.

3. CONTINUE WITH THE ENTIRE CABINET, LIGHT AND SIDE KIT INSTALLATION. TEST FIT THE MIRROR. SEE SECTION E.



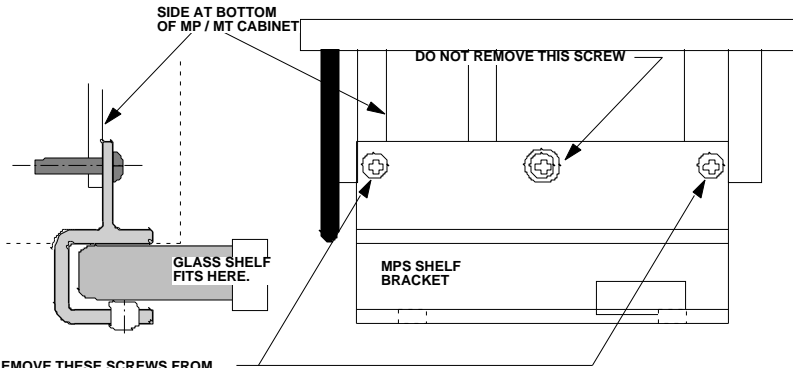
**NOTE:**  
THE MPM OR MTM MIRROR IS THE HEIGHT OF THE CABINET, NOT THE DOOR!

**THE DOOR IS APPROXIMATELY 1/8" SMALLER THAN THE OVERALL HEIGHT OF THE CABINET.**

**THE MIRROR IS DESIGNED TO MATCH THE HEIGHT OF THE SIDE KITS AND CABINET.**

**D. INSTALLING THE MPS SHELF SYSTEM.**

- BEFORE INSTALLING THE CABINETS THE MPS SHELF BRACKETS MUST BE INSTALLED ON EACH CABINET ADJACENT TO THE MPM / MTM MIRROR. THE BRACKETS ATTACH TO THE CABINET USING THE EXISTING SCREWS IN THE FRAME.

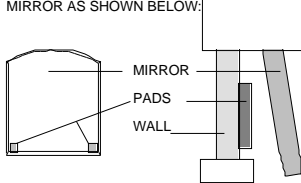


REMOVE THESE SCREWS FROM CABINET AND REATTACH WITH MPS BRACKET

- BE SURE THE OPEN SIDE OF THE BRACKET FACES THE MPM / MTM MIRROR. INSTALL THE CABINET, (LIGHT IF USED) AND SIDE KIT AS PER C ABOVE.

**E. FINAL FIT UP AND CARE OF YOUR MPM / MTM WALL MIRROR AND MPS SHELF SYSTEM.**

- WITH THE CABINETS ON EITHER SIDE OF THE LOCATION OF THE MPM / MTM MIRROR, TEST FIT THE MIRROR.
- IF THE CABINETS NEED TO BE REPOSITIONED SLIGHTLY A. WHEN SURFACE MOUNTED, LOOSEN THE TOP CLIPS SLIGHTLY AND SLIDE CABINETS LEFT OR RIGHT. B. WHEN RECESSED, LOOSEN THE 4 SCREWS SECURING THE CABINET IN THE ROUGH OPENING - REPOSITION THE CABINET AND RETIGHTEN THE SCREWS. DO NOT OVERTIGHTEN.
- PEEL THE PAPER BACKING FROM THE 2" X 2" ADHESIVE PADS AND PLACE THEM UNDER THE BOTTOM OF THE MIRROR AS SHOWN BELOW.



TILT THE BOTTOM OF THE MIRROR SLIGHTLY SO THAT THE PADS CAN BE PLACED WITHIN 1/2" TO 1" OF THE BOTTOM AND SIDE.

PRESS THE MIRROR FIRMLY INTO THE PAD. BE SURE MIRROR IS CORRECTLY SEATED ON CLIPS AND IN THE PROPER POSITION BEFORE SECURING PADS.

- INSTALL THE SHELF INTO THE BRACKETS AND TIGHTEN THE NYLON SET SCREWS.
- UNDER NO CIRCUMSTANCES SHOULD AN AMMONIA BASED CLEANER BE USED ON MIRRORS. USE ONLY A LINT FREE POLISHING CLOTH SLIGHTLY DAMPENED WITH WATER OR RUBBING ALCOHOL IF NECESSARY TO REMOVE STUBBORN STAINS.
- IF YOU SHOULD HAVE ANY PROBLEMS WITH YOUR MPM / MTM WALL MIRROR SYSTEM PLEASE CONTACT YOUR ROBERN DEALER. FOR OTHER QUESTIONS RELATING TO YOUR INSTALLATION CONTACT THE FACTORY AT:

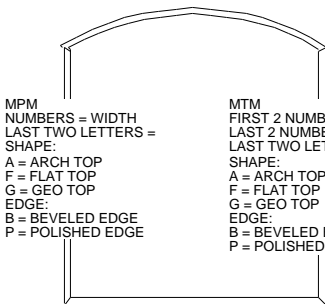
ROBERN, INC. 215 826.9800  
7 WOOD AVE 800 877.2376  
BRISTOL, PA 19007 FAX 215 826.9633

- PLEASE REFER TO THE PARTS LIST BELOW TO CORRECTLY IDENTIFY ALL PARTS.

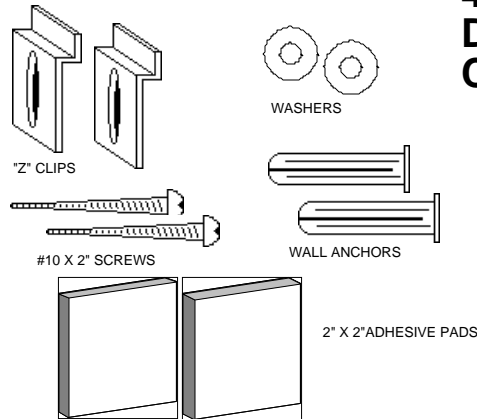
**NOTE:  
WHEN USING AN  
MPS SHELF IN A  
STACKING  
SYSTEM REFER  
TO SHEET SS499  
FOR MOUNTING  
INSTRUCTIONS.**

**THE MPS SHELF  
FOR STACKING  
HAS THE SUFFIX  
"F" AND IS ONLY  
AVAILABLE IN A  
4" DEPTH FOR  
D6 OR D8  
CABINETS ONLY.**

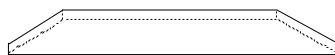
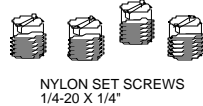
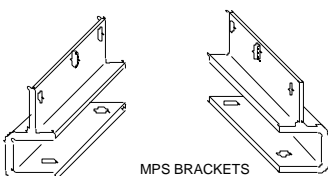
**PARTS LIST MPM WALL MIRROR**



MTM  
FIRST 2 NUMBERS = WIDTH  
LAST 2 NUMBERS = HEIGHT  
LAST TWO LETTERS =  
SHAPE:  
A = ARCH TOP  
F = FLAT TOP  
G = GEO TOP  
EDGE:  
B = BEVELED EDGE  
P = POLISHED EDGE



**PARTS LIST MPS SHELF**



MPS \_\_\_\_\_ SHELF  
MODEL NUMBER IS LENGTH OF SHELF LESS 2"  
(MPS23 IS 25" LONG)

MPS \_\_\_\_\_ L SHELF (FOR USE WITH M-L1.5 LIGHTS)  
MODEL NUMBER IS LENGTH OF SHELF LESS 5"  
(MPS23L IS 28" LONG)

MPS \_\_\_\_\_ HL SHELF (FOR USE WITH M-L3.5 LIGHTS)  
MODEL NUMBER IS LENGTH OF SHELF LESS 9"  
(MPS23HL IS 32" LONG)