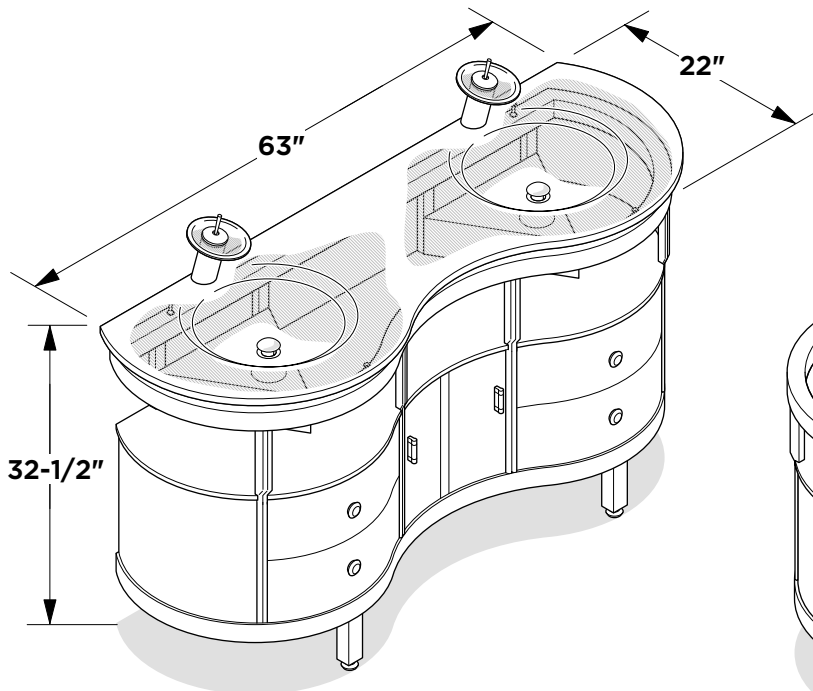
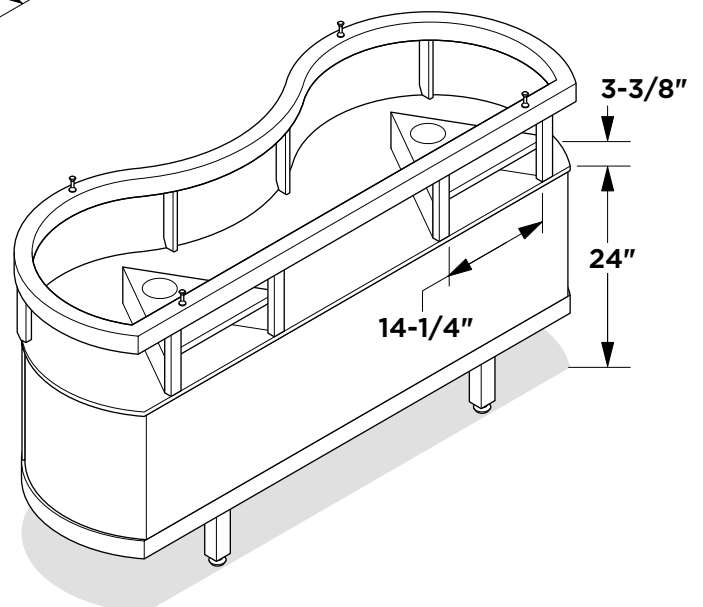


FVN3331

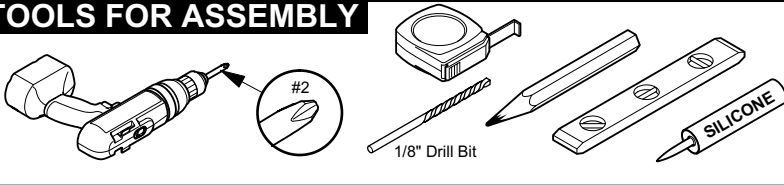
Vanity Front



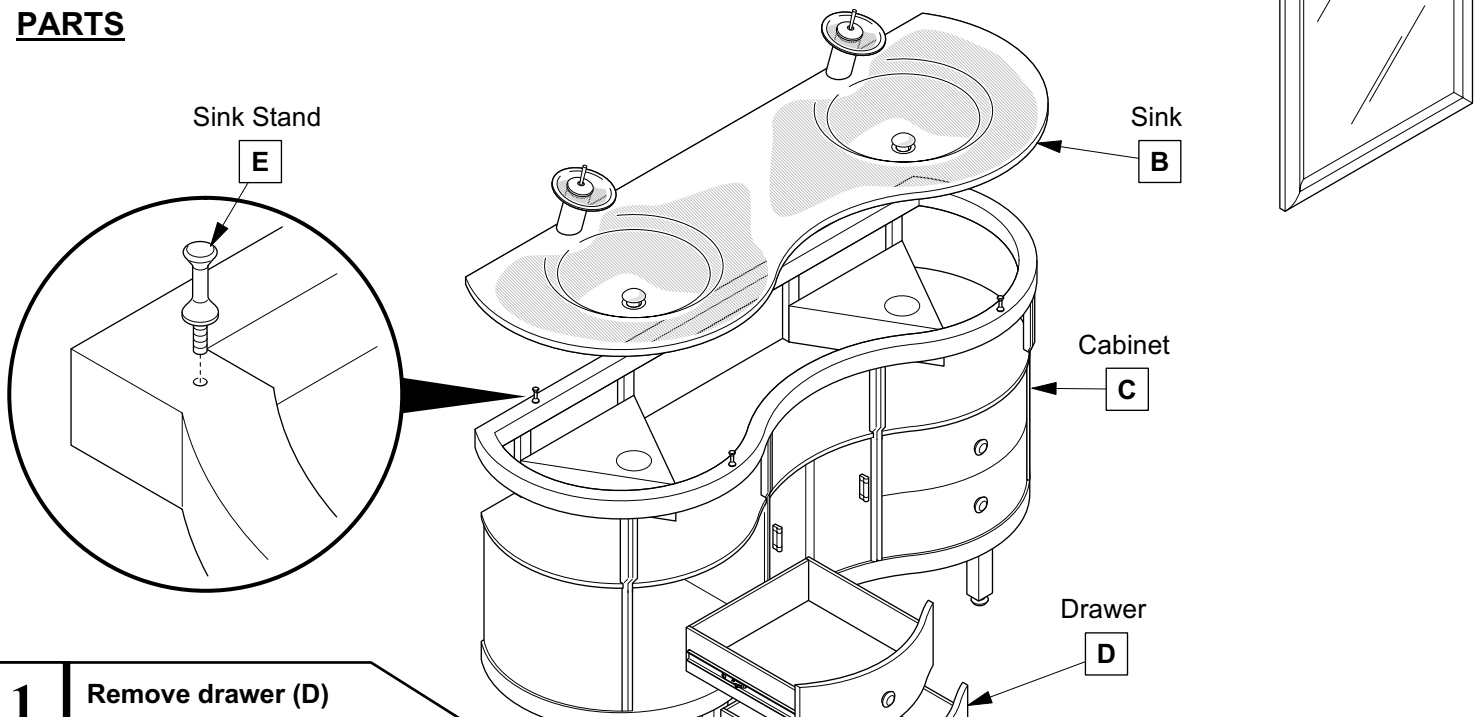
Vanity Back



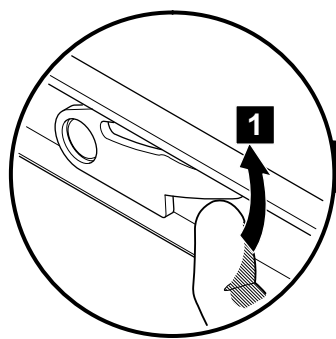
TOOLS FOR ASSEMBLY



PARTS

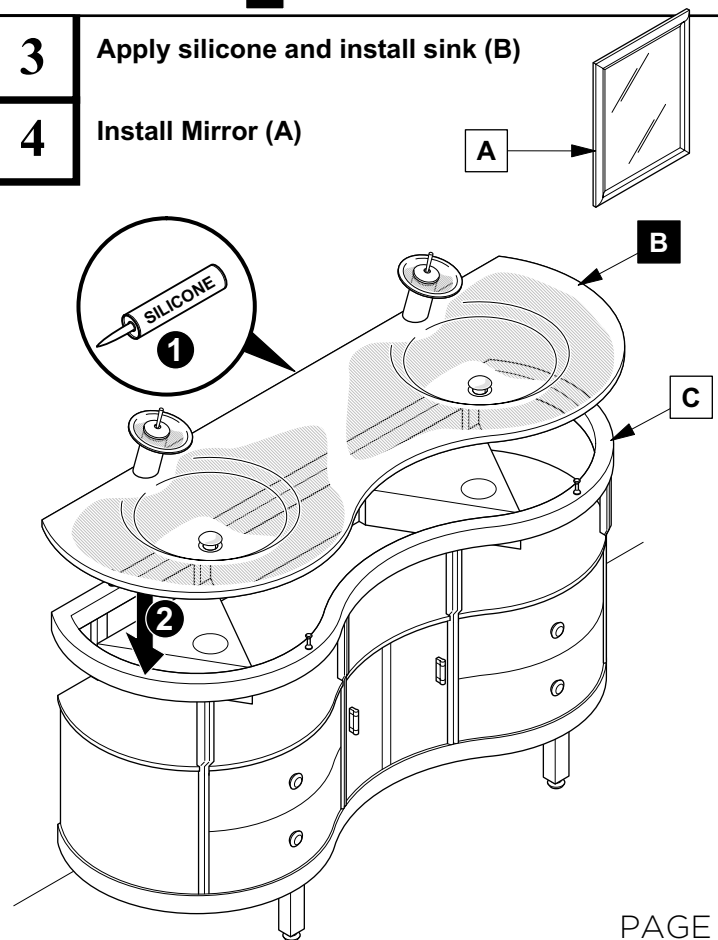


1 Remove drawer (D)



3 Apply silicone and install sink (B)

4 Install Mirror (A)



2 Position cabinet (C)

