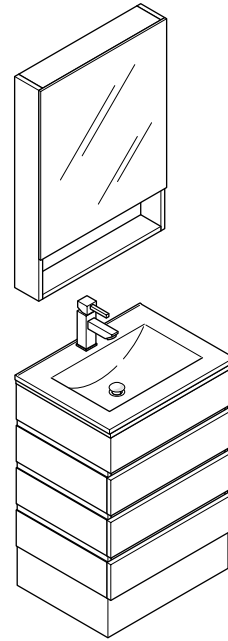
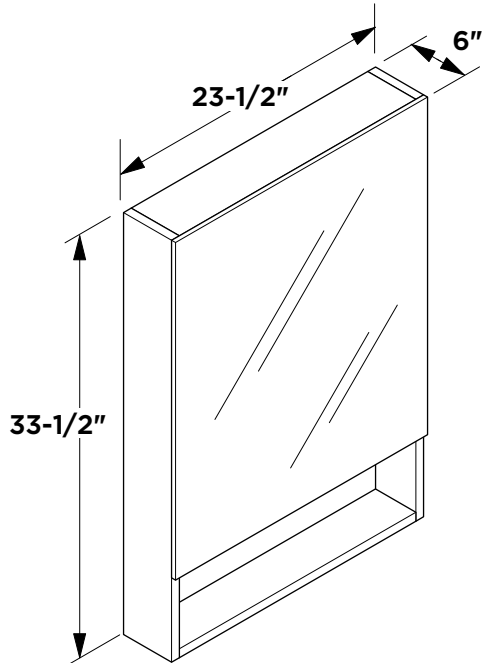


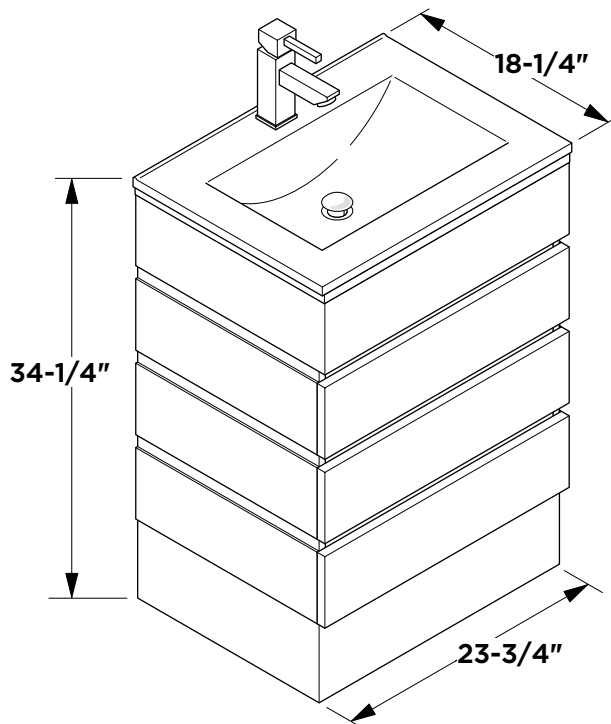


Medicine Cabinet

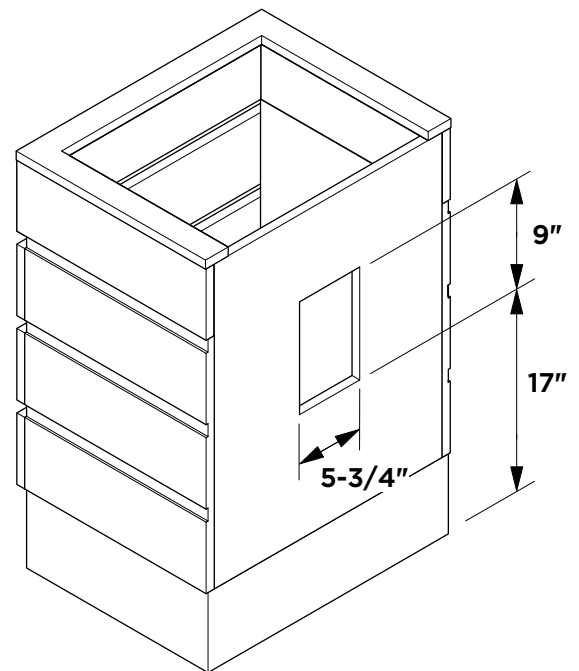


FVN6124

Vanity Front



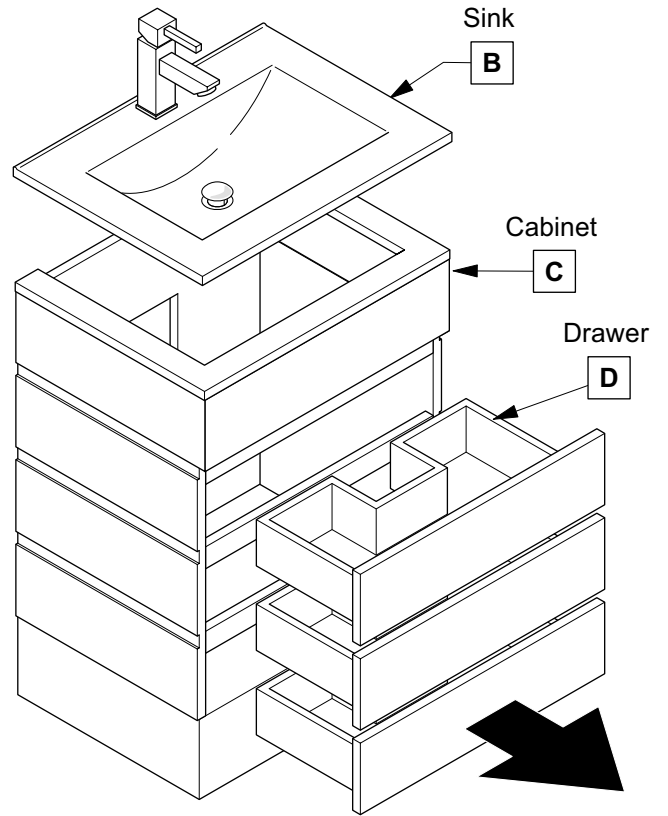
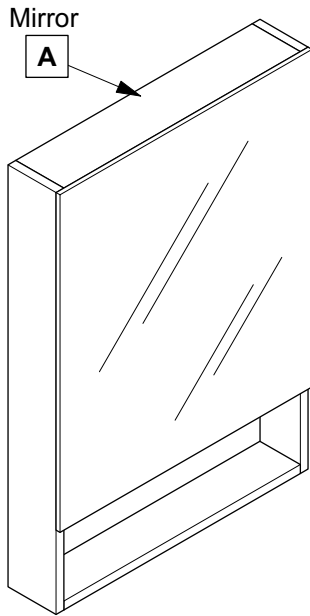
Vanity Back



## TOOLS FOR ASSEMBLY

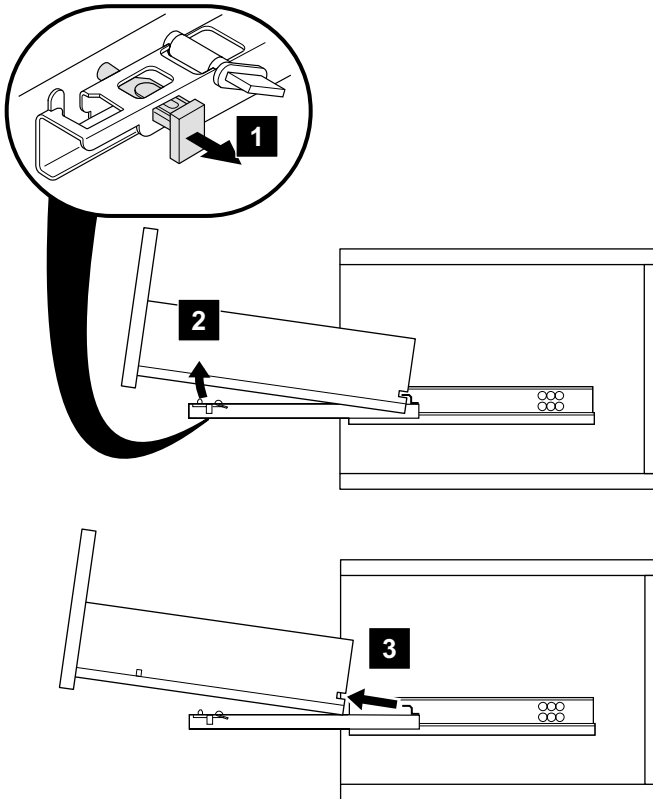


## PARTS

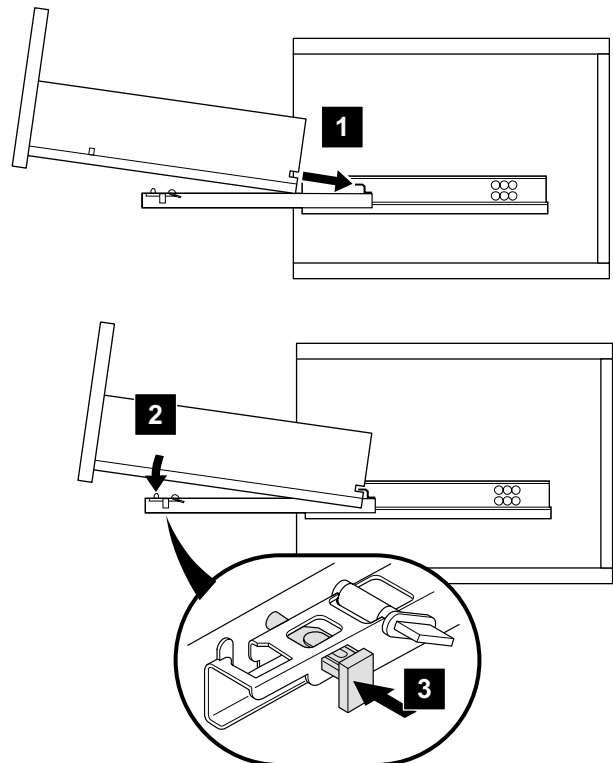


## DRAWER REMOVAL & INSTALLATION

### REMOVAL

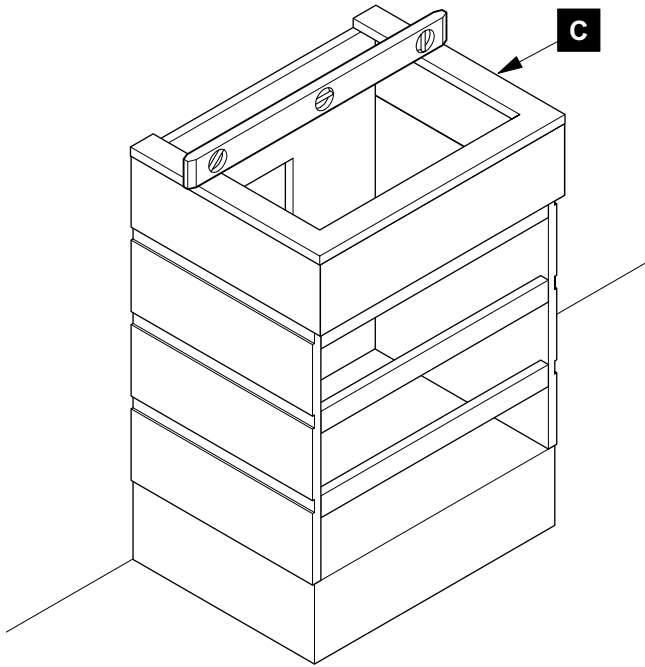


### INSTALLATION



**1****Position cabinet (C)**

**IMPORTANT:** Consult an expert for the proper screws/bolts to use when attaching to various wall constructions. Screws provided do not attach to all wall construction types.

**2****Apply silicone and install sink (B)**