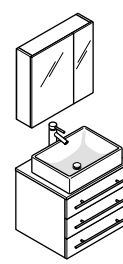
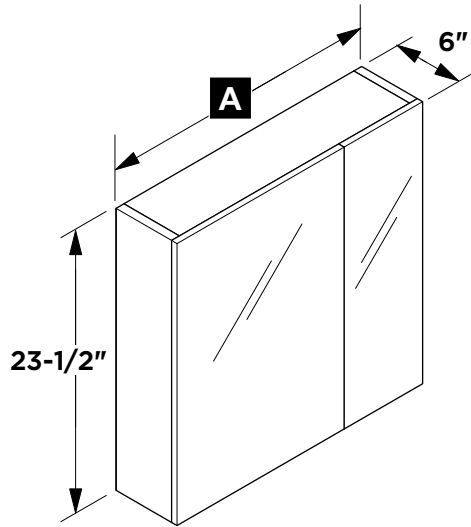
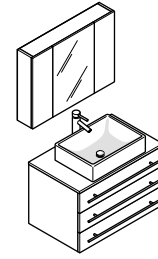




Medicine Cabinet



FVN6185

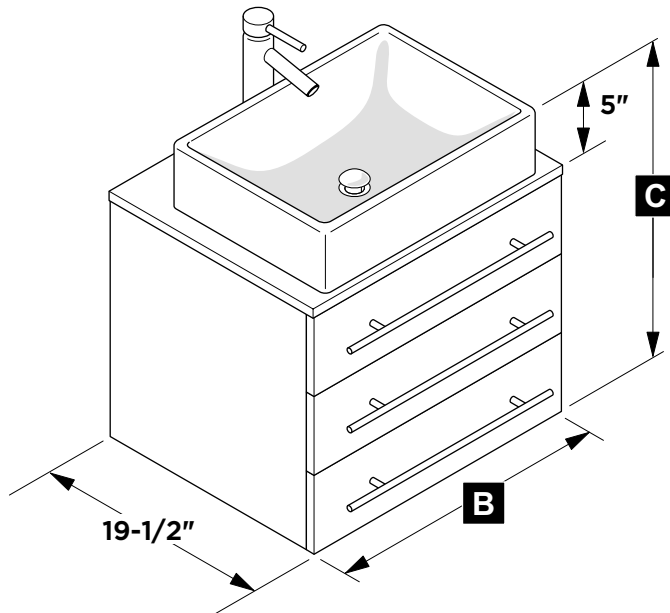


FVN6183

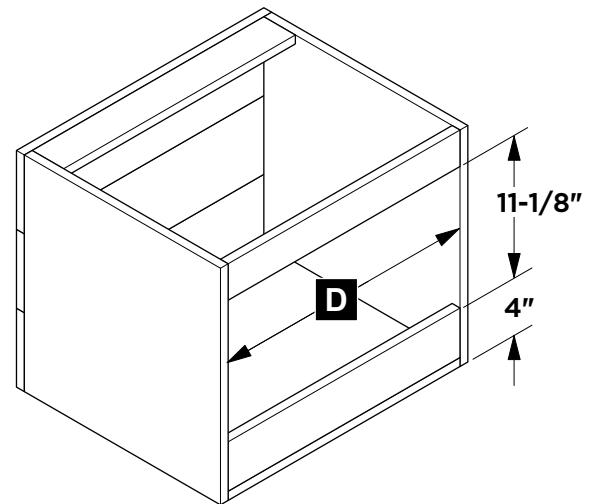
Model	Medicine Cabinet <b>A</b>	Vanity Width <b>B</b>	Vanity Height <b>C</b>
FVN6185	23-3/4"	23-1/2"	24-1/4"
FVN6183	31-1/2"	31-3/4"	25-1/2"

Model	Vanity Back <b>D</b>
FVN6185	21-1/4"
FVN6183	30"

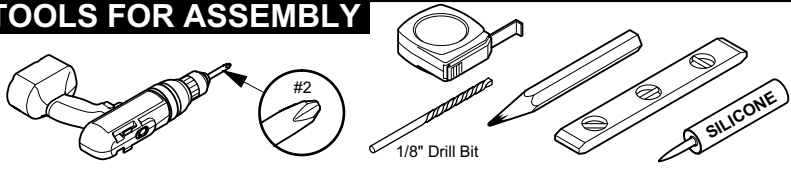
Vanity Front



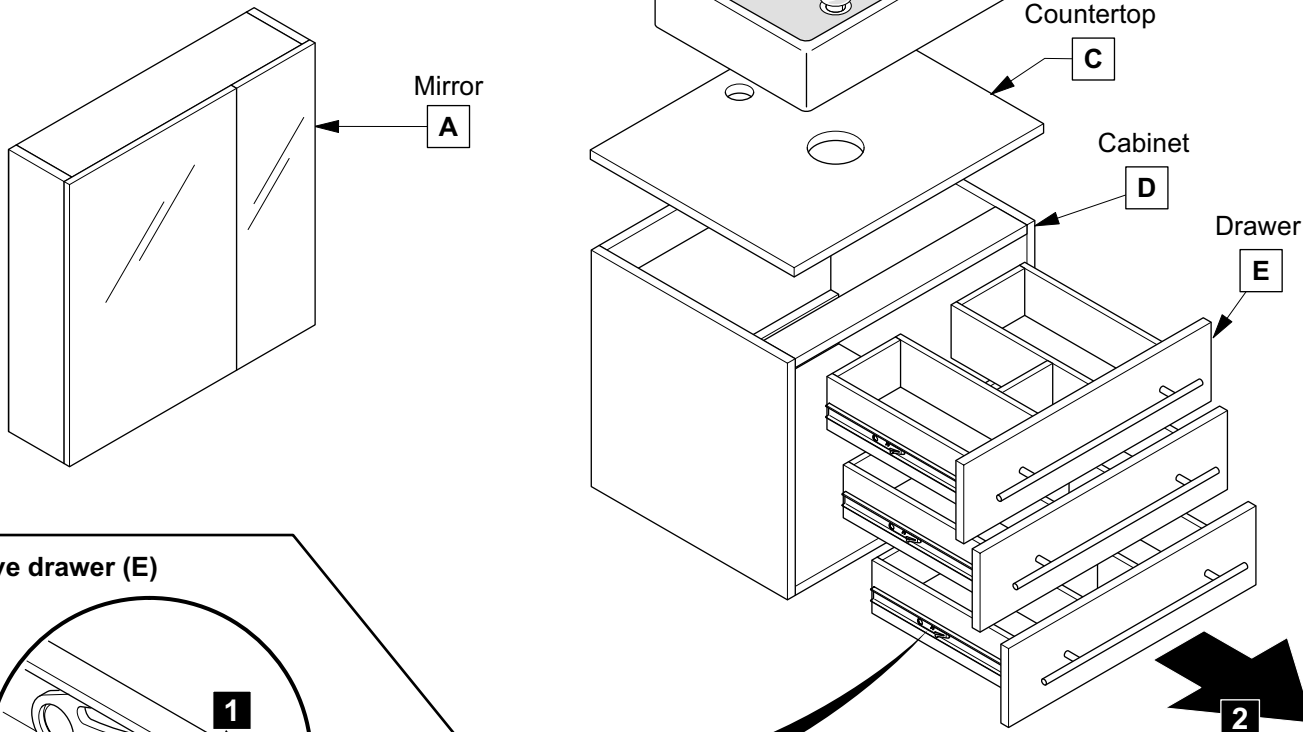
Vanity Back



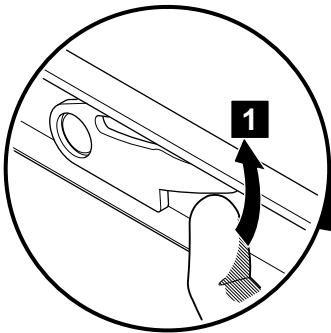
**TOOLS FOR ASSEMBLY**



**PARTS**



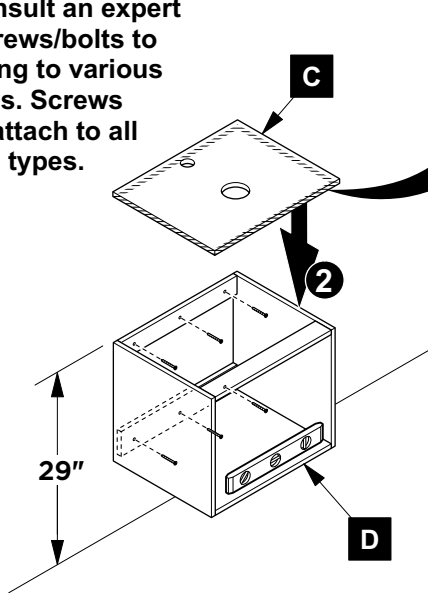
**1** Remove drawer (E)



**2** Install cabinet (D)

**3** Apply silicone and install countertop (C)

**IMPORTANT:** Consult an expert for the proper screws/bolts to use when attaching to various wall constructions. Screws provided **do not** attach to all wall construction types.



**4** Apply silicone and install sink (B)

**5** Install Mirror (A)

