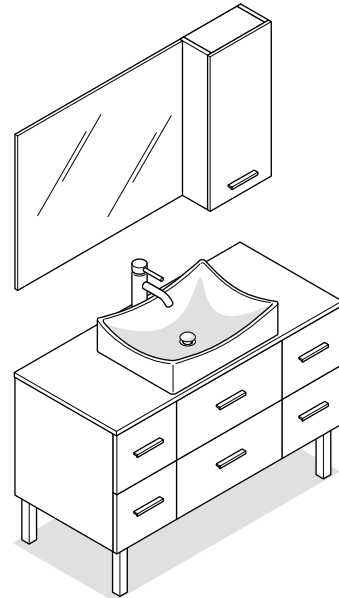
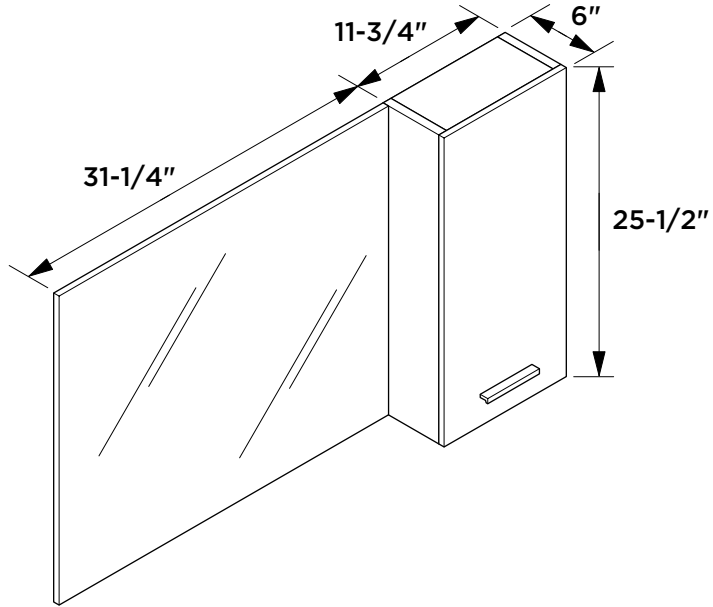


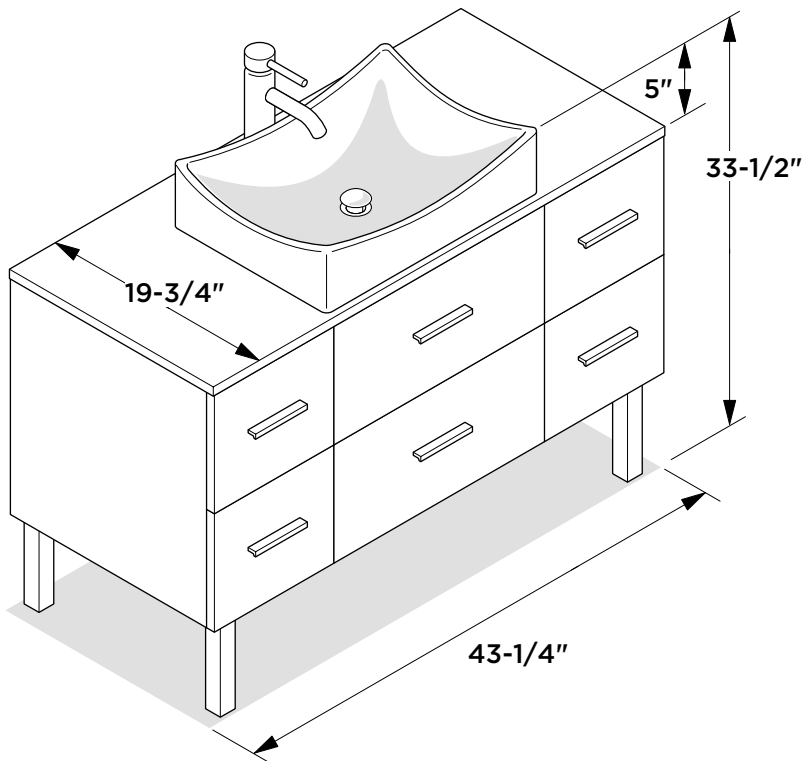


Medicine Cabinet

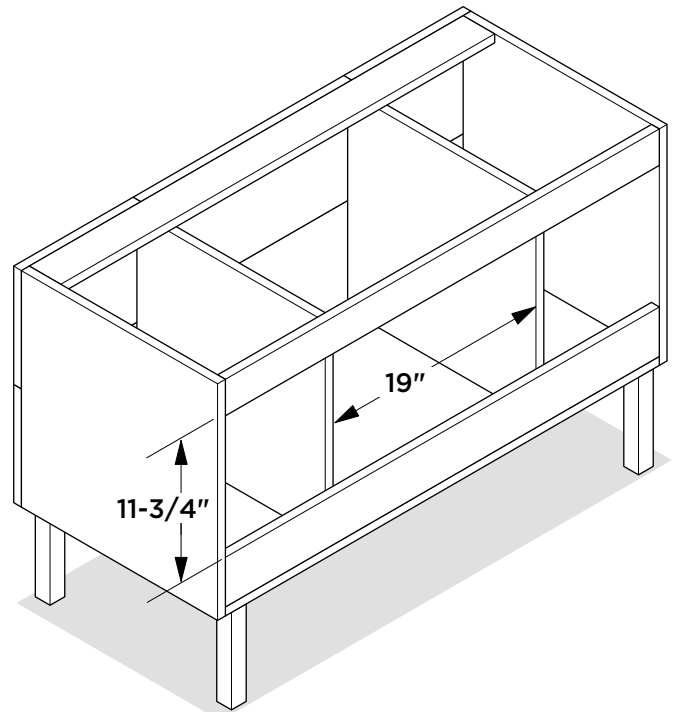


FVN6123

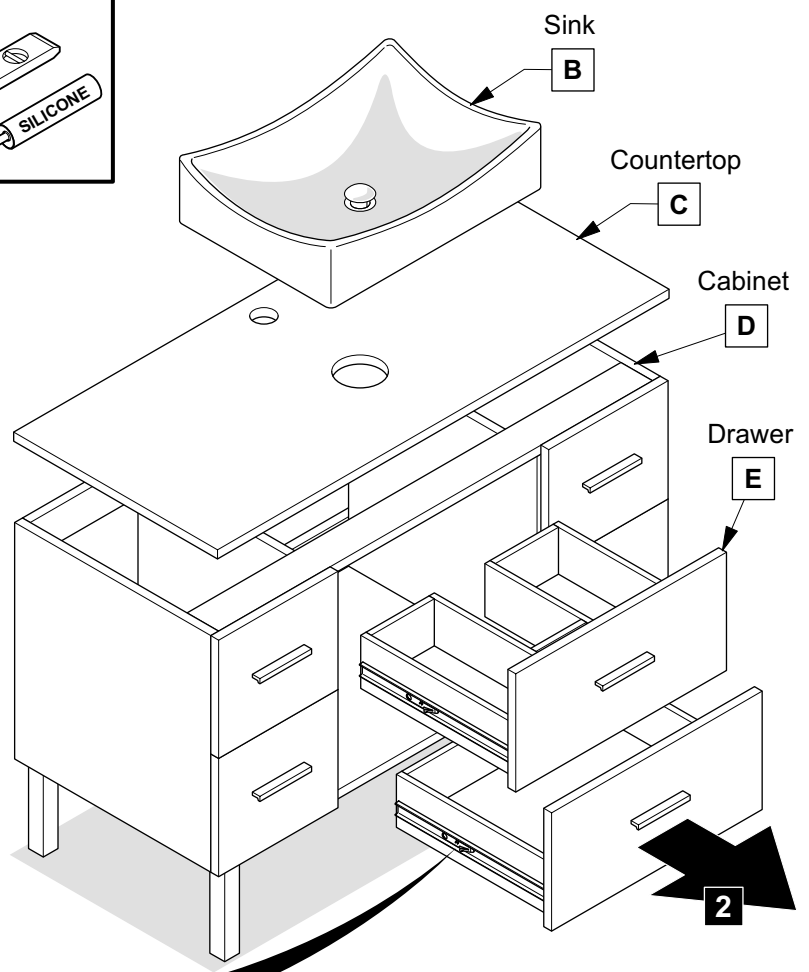
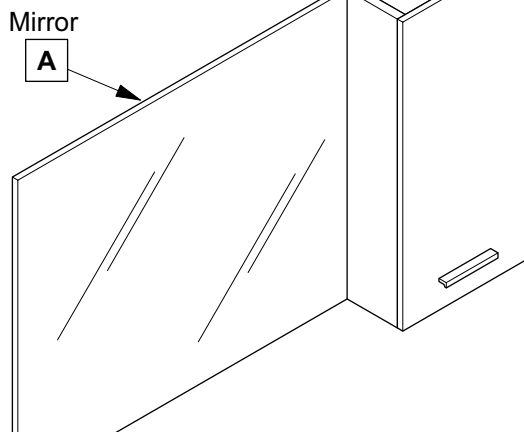
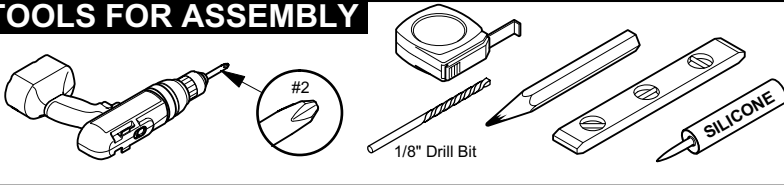
Vanity Front



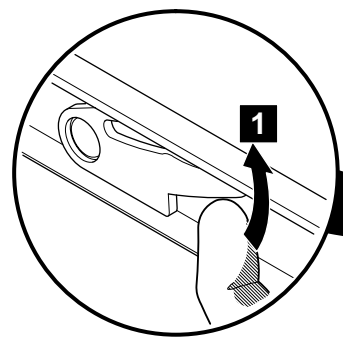
Vanity Back



**TOOLS FOR ASSEMBLY**

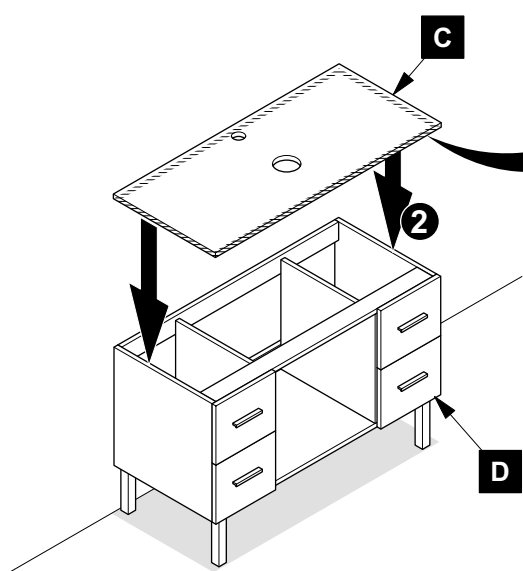


**1** Remove drawer (E)



**2** Position cabinet (D)

**3** Apply silicone and install countertop (C)



**4** Apply silicone and install sink (B)

**5** Install Mirror (A)

