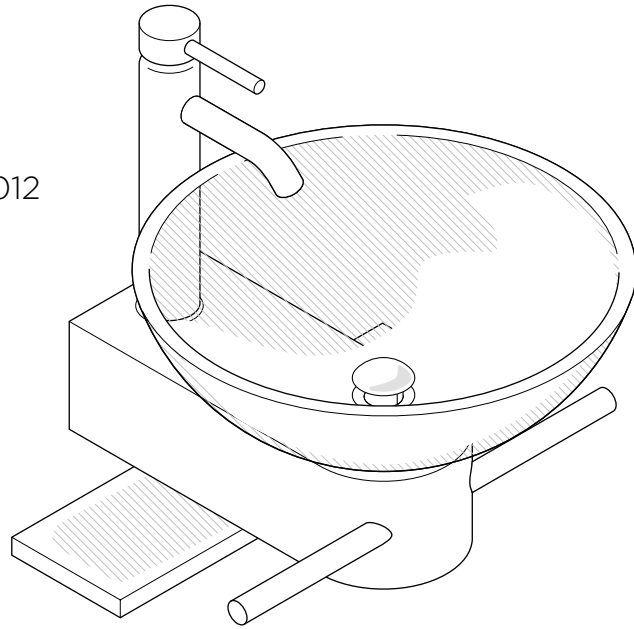




**FVN1012**  
**CRISTALLINO**  
**INSTALLATION GUIDE**

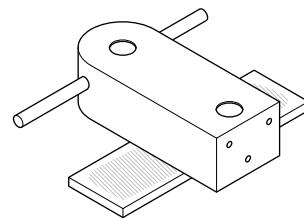
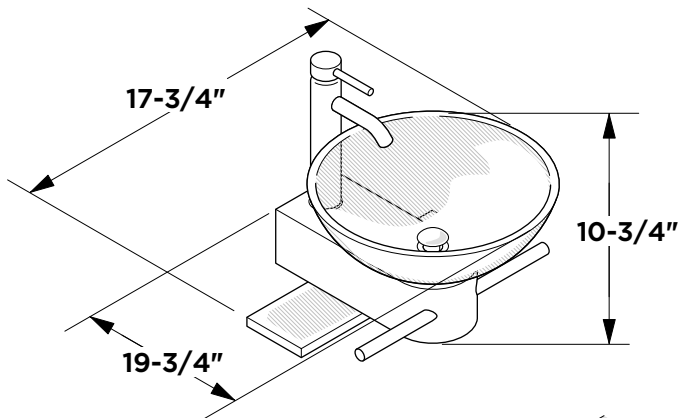


FVN1012

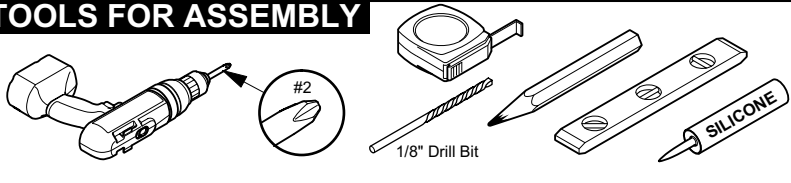


Vanity Front

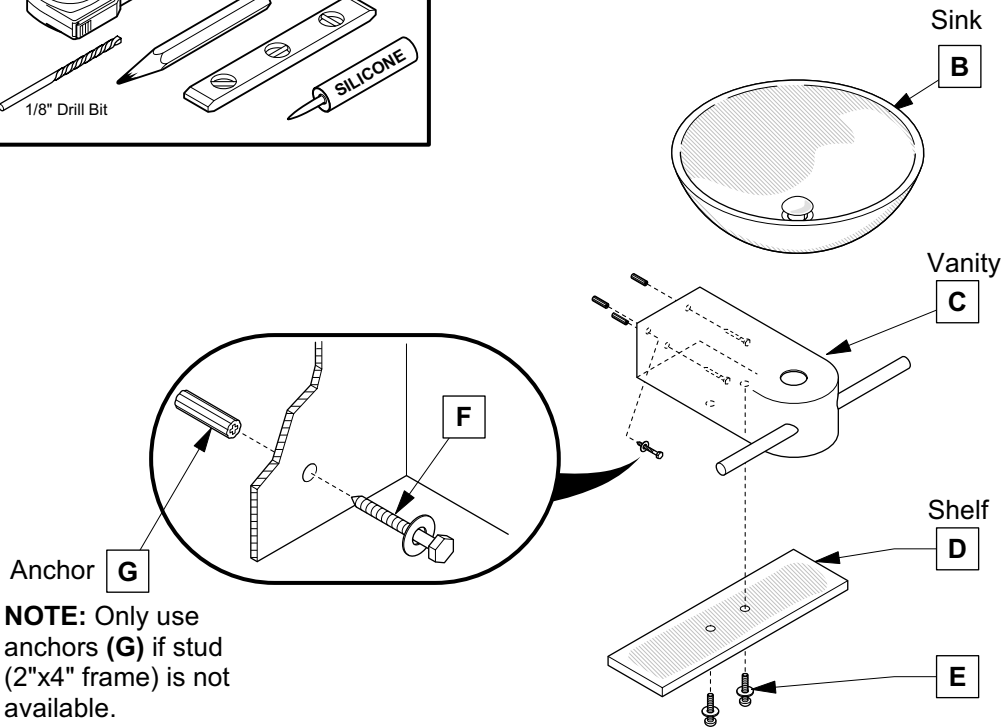
Vanity Back



# TOOLS FOR ASSEMBLY

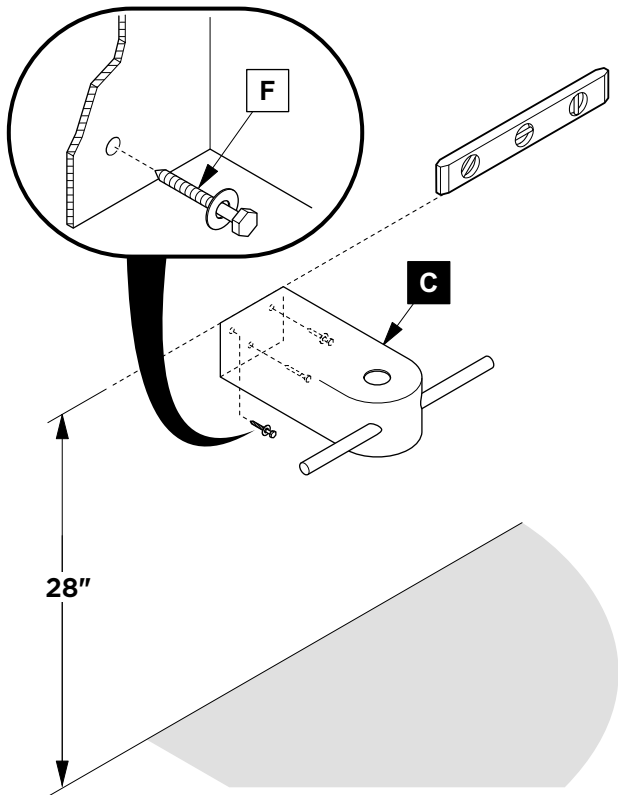


# PARTS

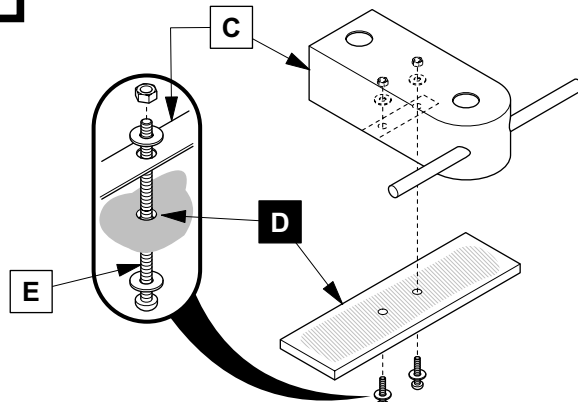


## 1 Install vanity (C)

**IMPORTANT:** Consult an expert for the proper screws/bolts to use when attaching to various wall constructions. Screws provided do not attach to all wall construction types.

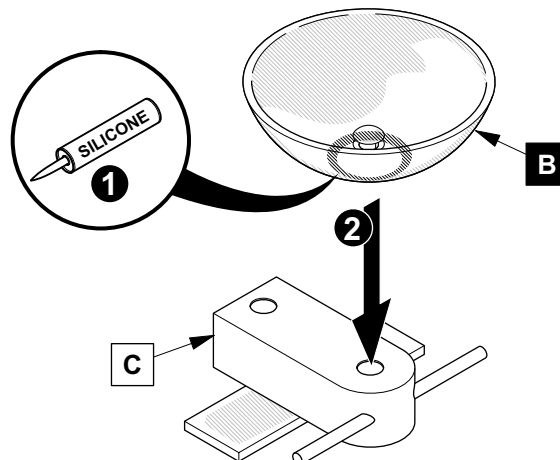


## 3 Install shelf (D)

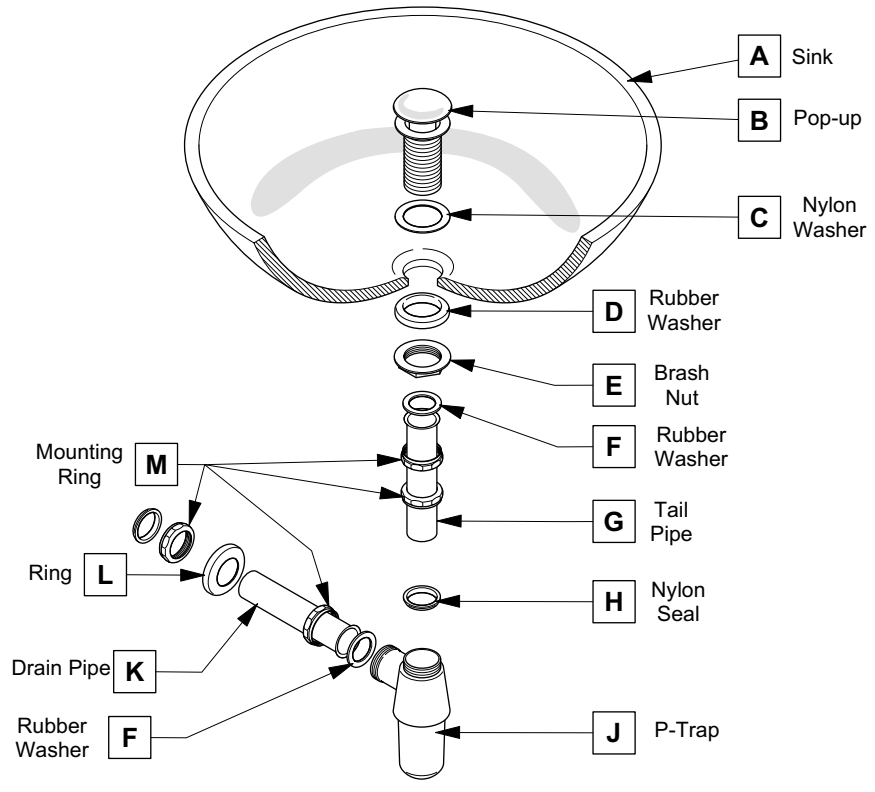


## 3 Install sink (B)

## 4 Install mirror (A)

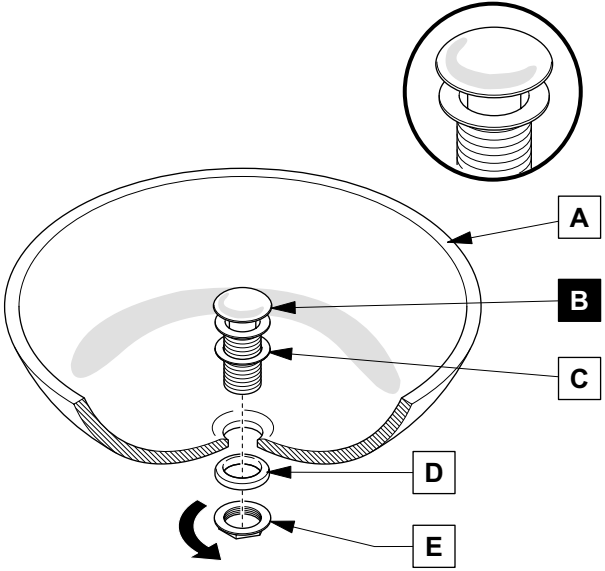


# P-TRAP AND POP-UP INSTALLATION INSTRUCTIONS



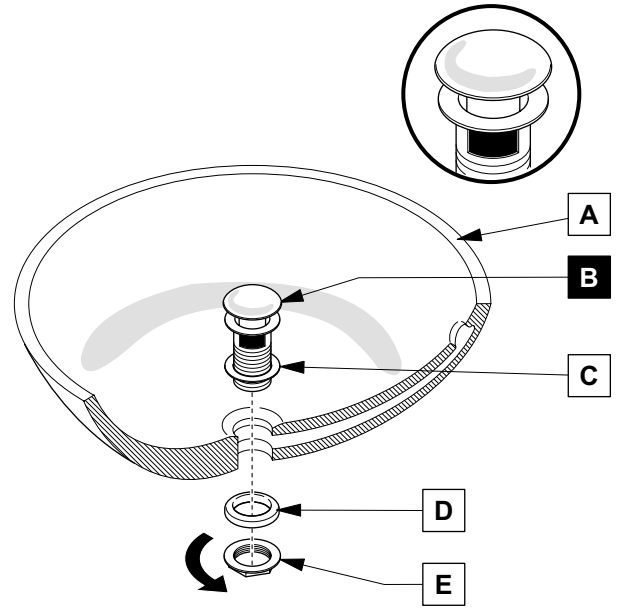
## POP-UP INSTALLATION

### FOR SINKS WITHOUT OVERFLOW



**OR**

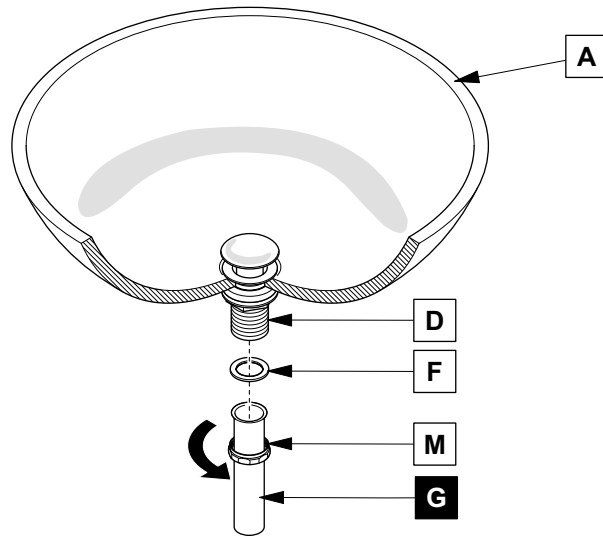
### FOR SINKS WITH OVERFLOW



# P-TRAP INSTALLATION

1

Install tail pipe (G)



2

Install p-trap (J)

