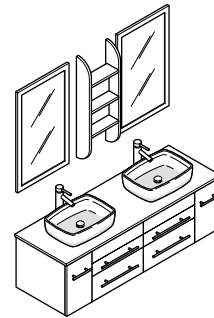
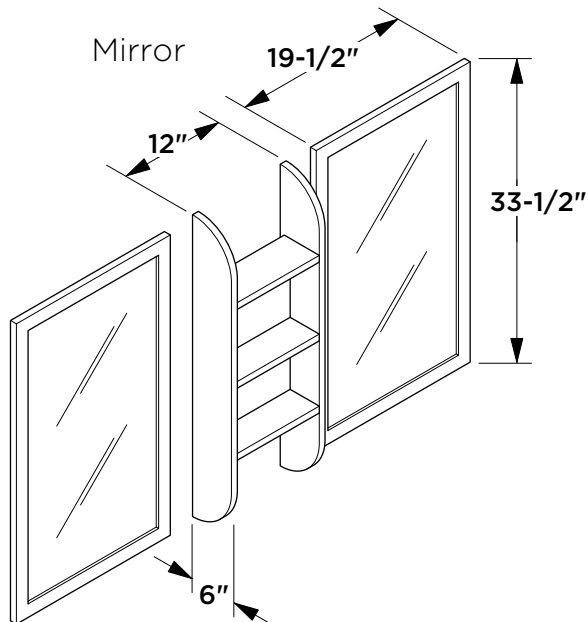
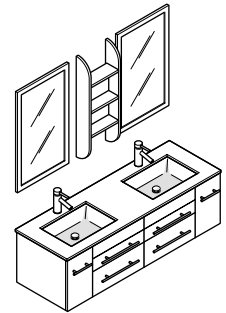


FVN6119
BELLEZZO
 INSTALLATION GUIDE

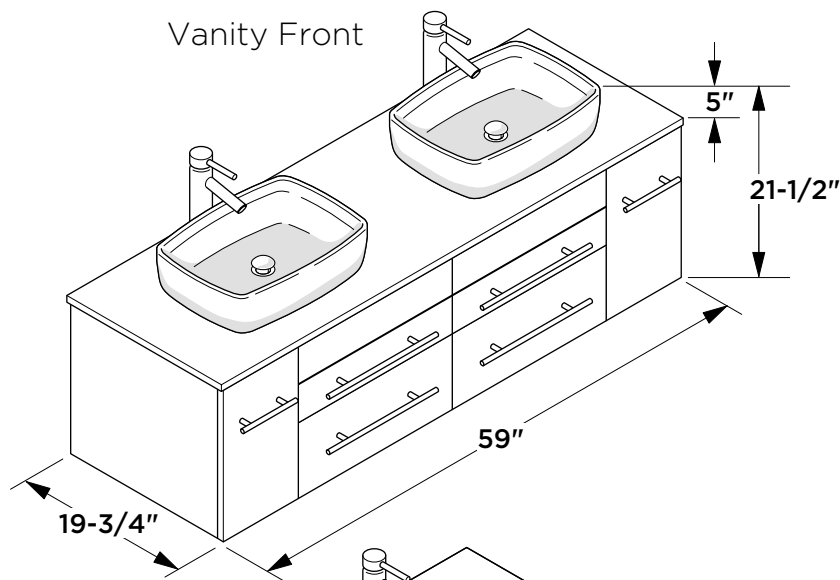


FVN6119

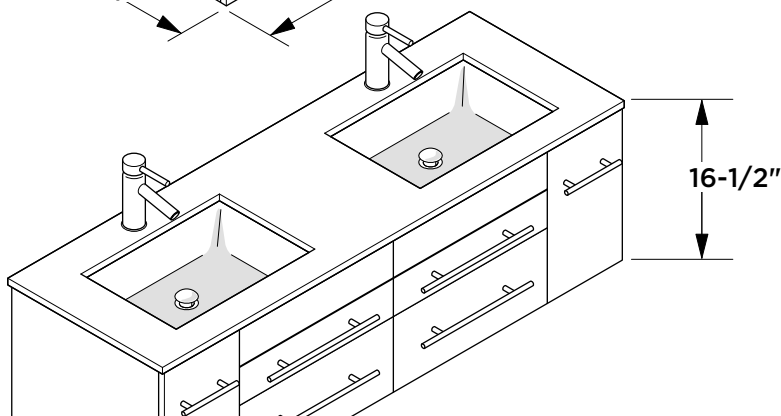
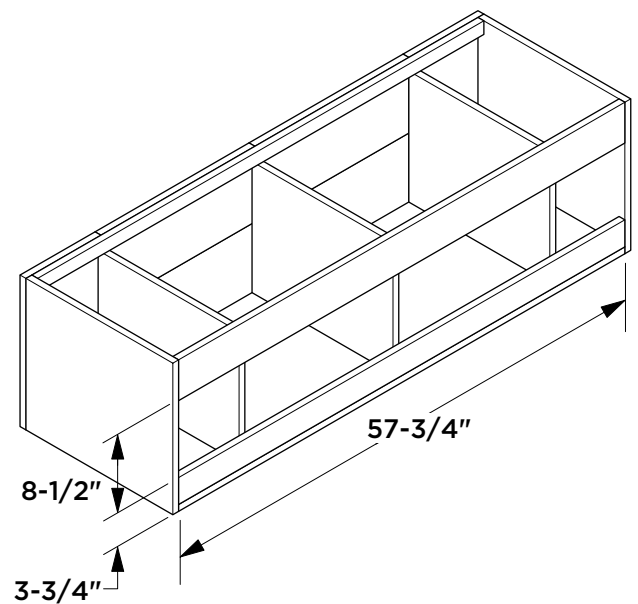


FVN6119UNS

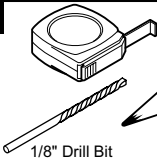
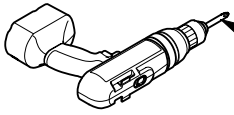
Vanity Front



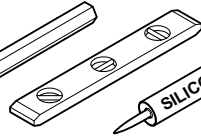
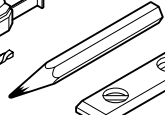
Vanity Back



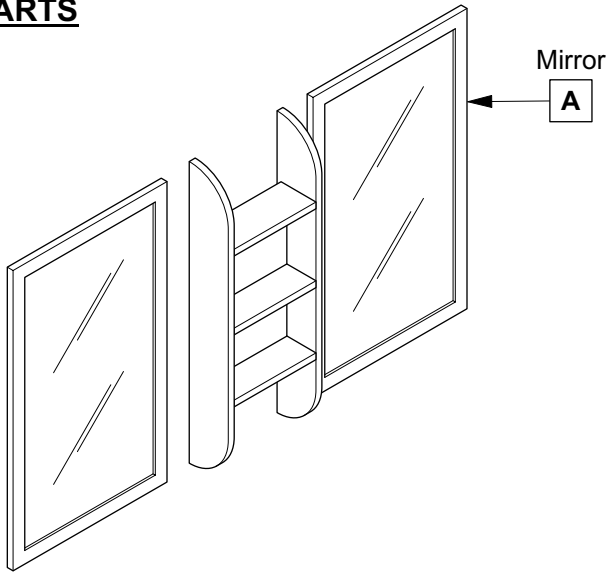
TOOLS FOR ASSEMBLY



1/8" Drill Bit

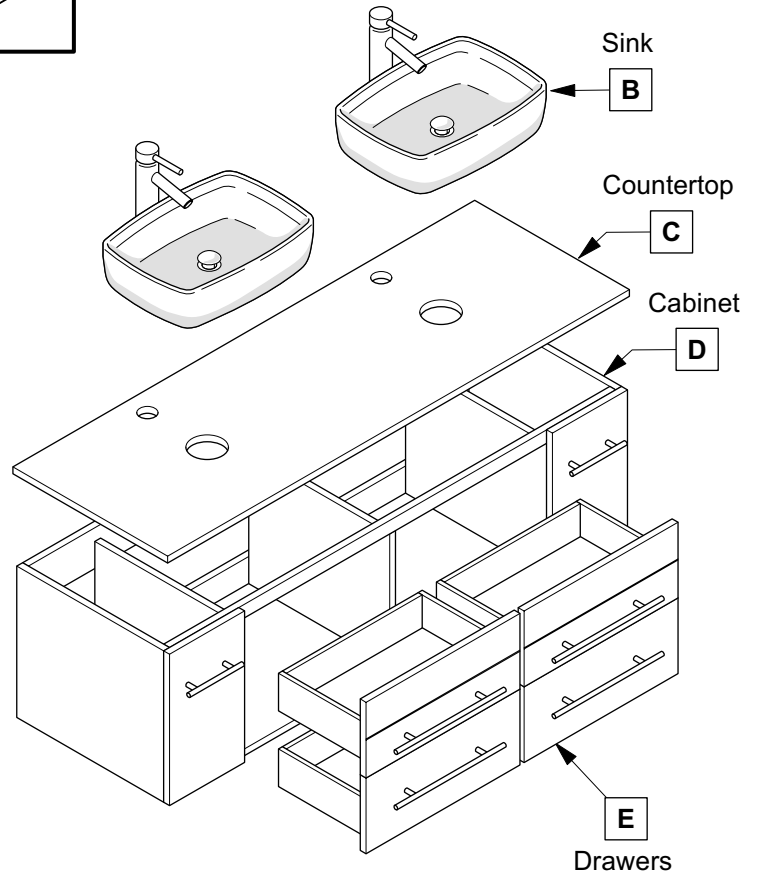


PARTS



Mirror

A



Sink

B

Countertop

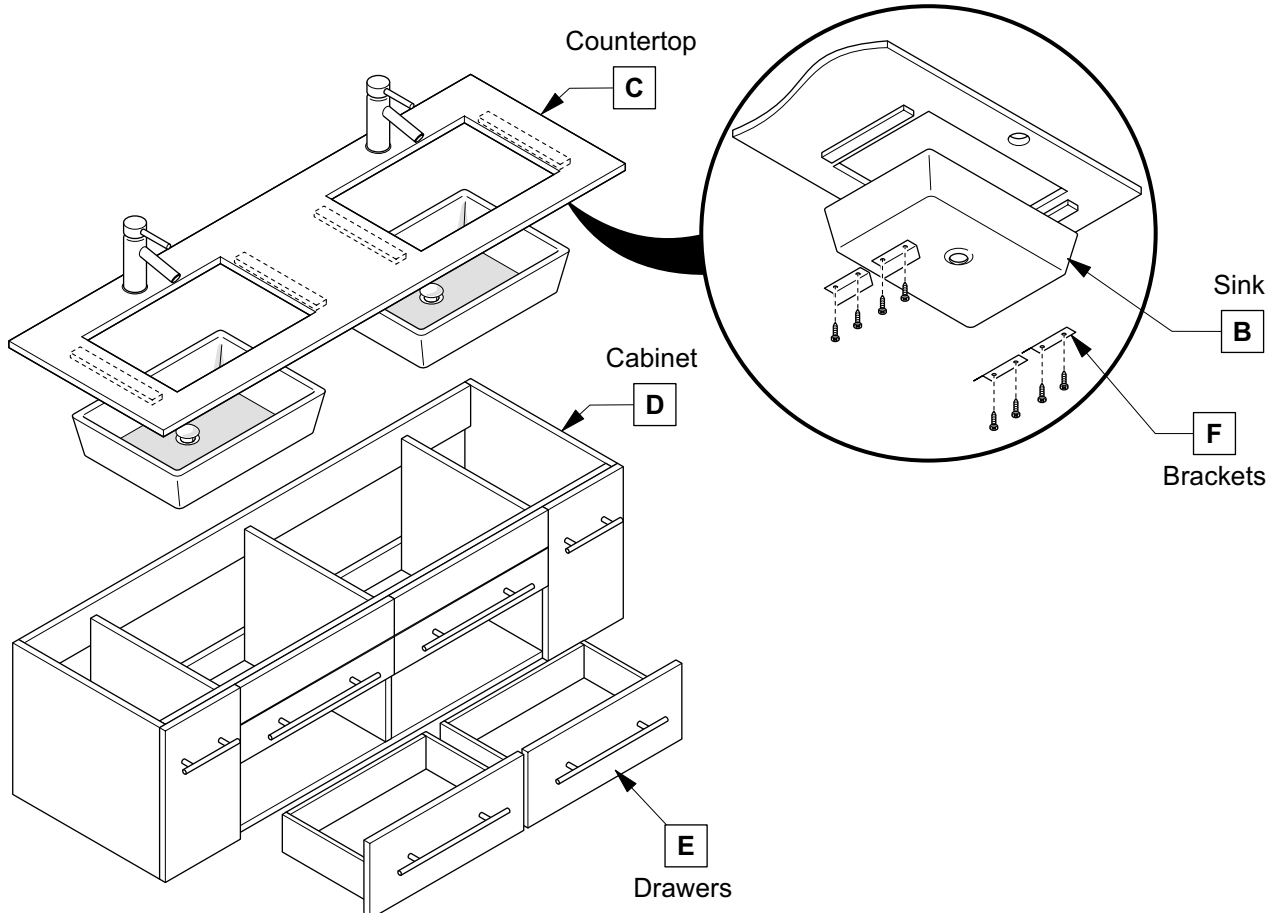
C

Cabinet

D

Drawers

E



Countertop

C

Cabinet

D

E

Drawers

Sink

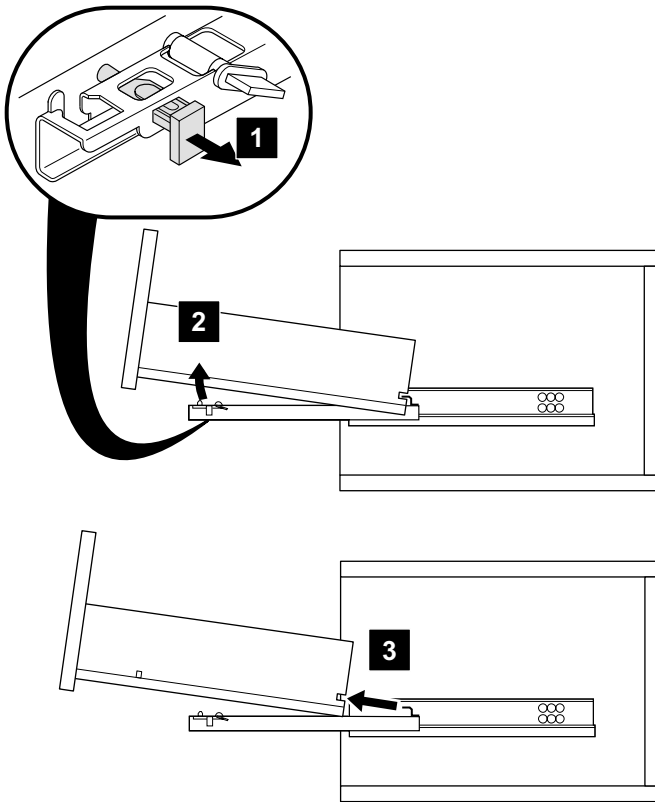
B

F

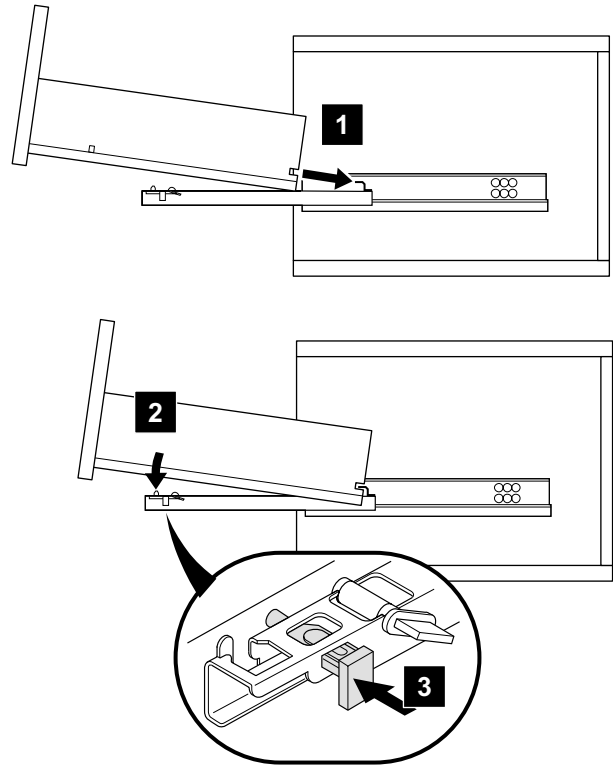
Brackets

DRAWER REMOVAL & INSTALLATION

REMOVAL

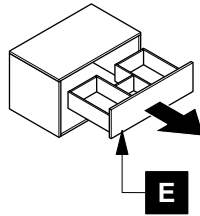


INSTALLATION

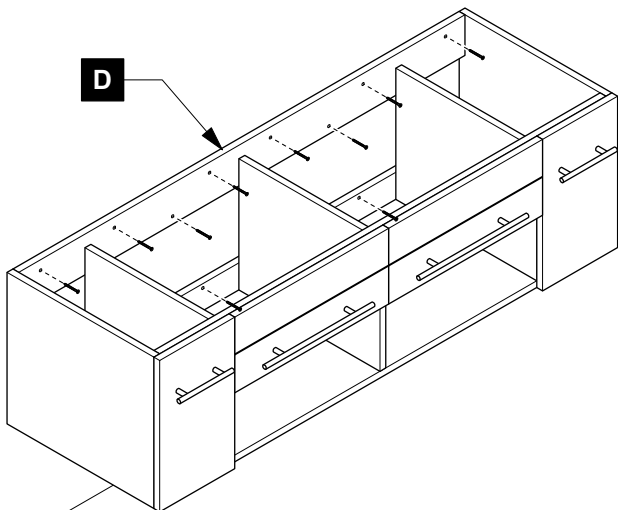


1 Remove drawer (E)

2 Install cabinet (D)

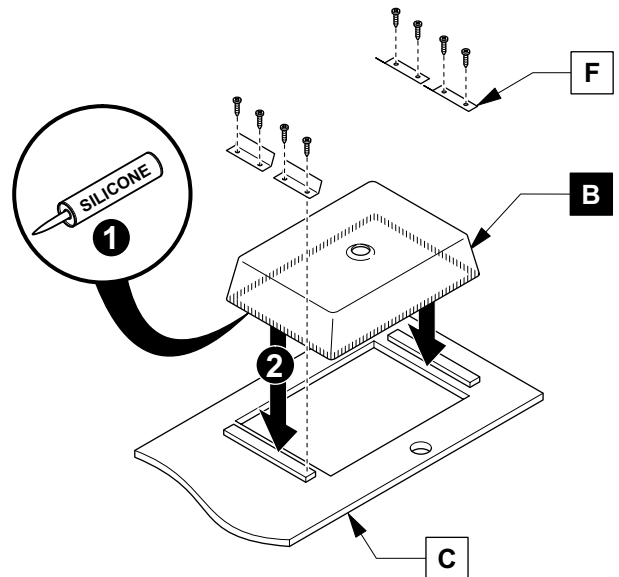


IMPORTANT: Consult an expert for the proper screws/bolts to use when attaching to various wall constructions. Screws provided do not attach to all wall construction types.

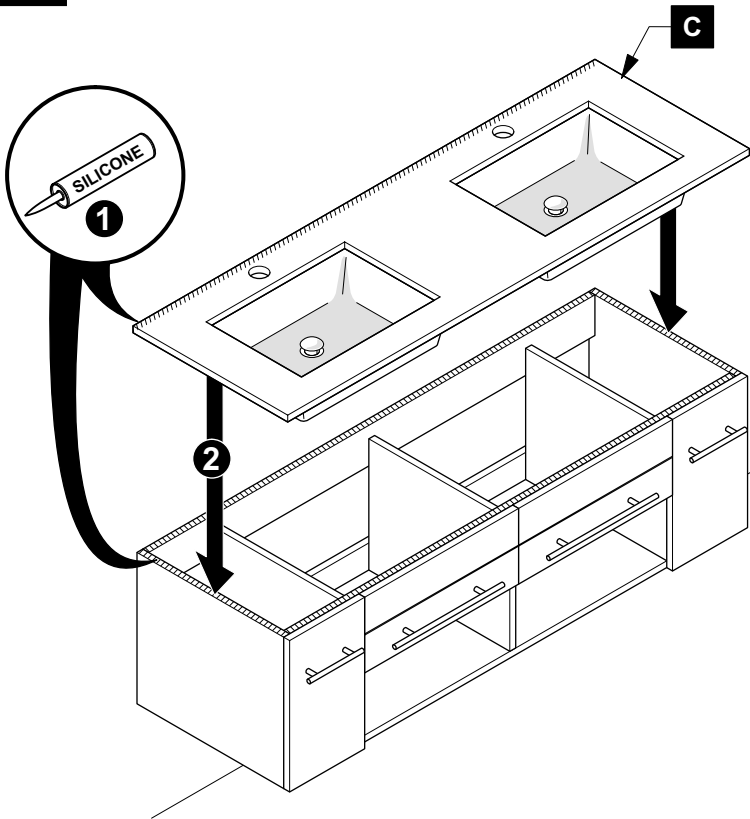


BELOW SINK INSTALLATION

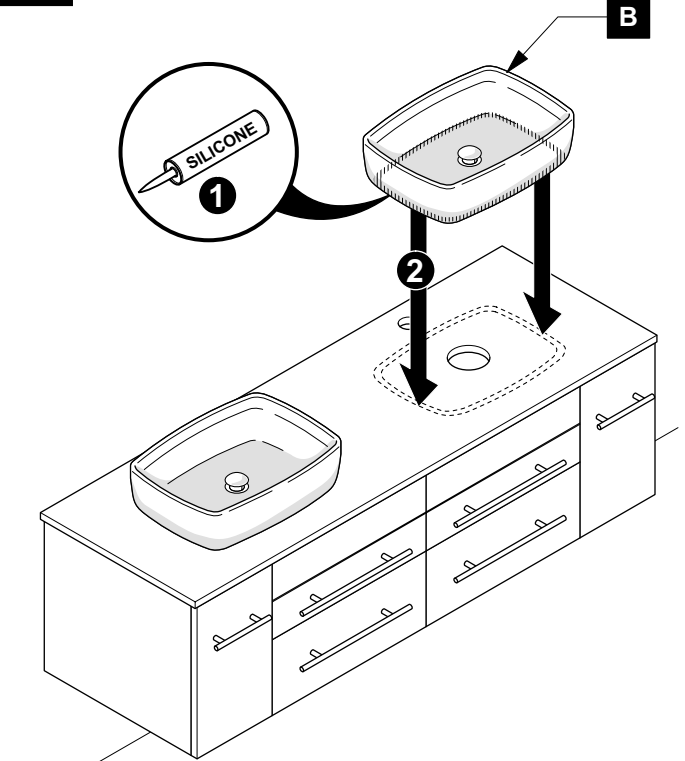
3 Apply silicone and install sinks (B)



4 Install countertop (C)



5 Install sinks (E)



6 Install mirror (A)

