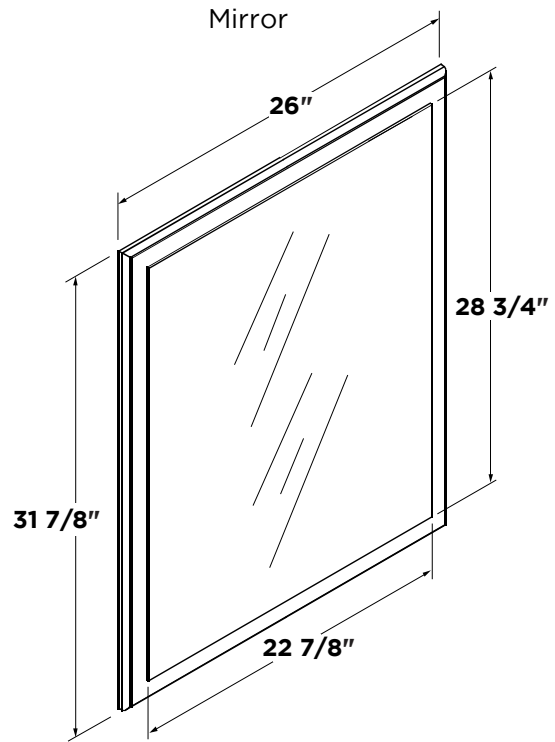
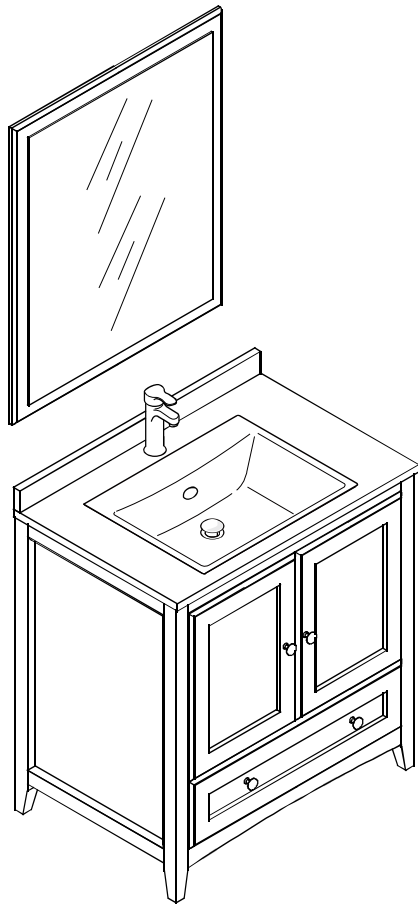
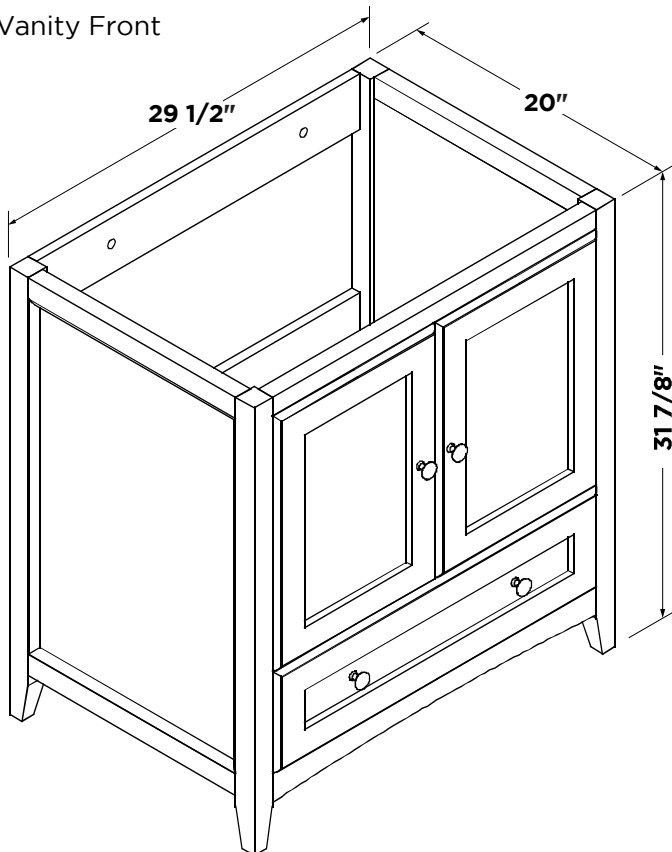


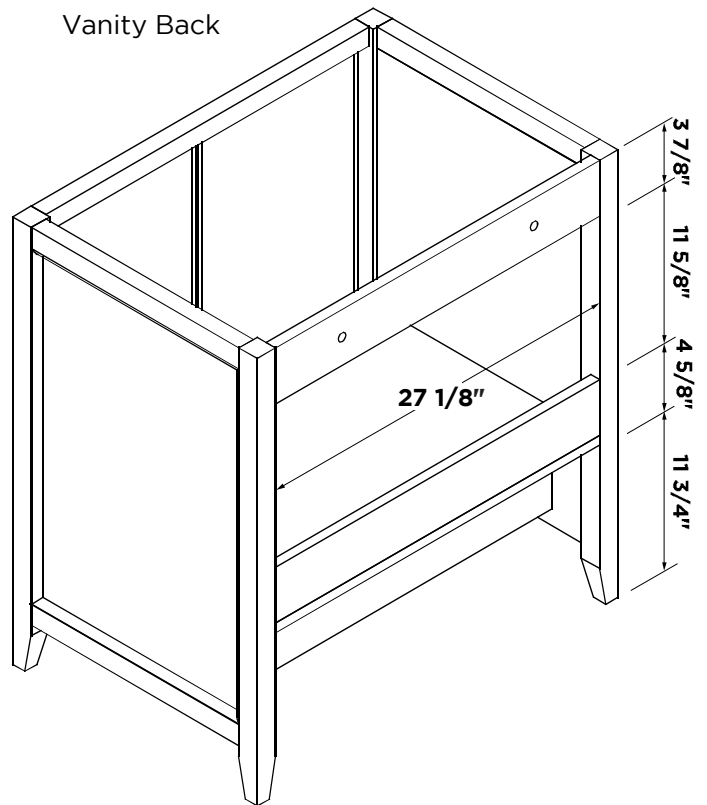
FVN2030
OXFORD
INSTALLATION GUIDE

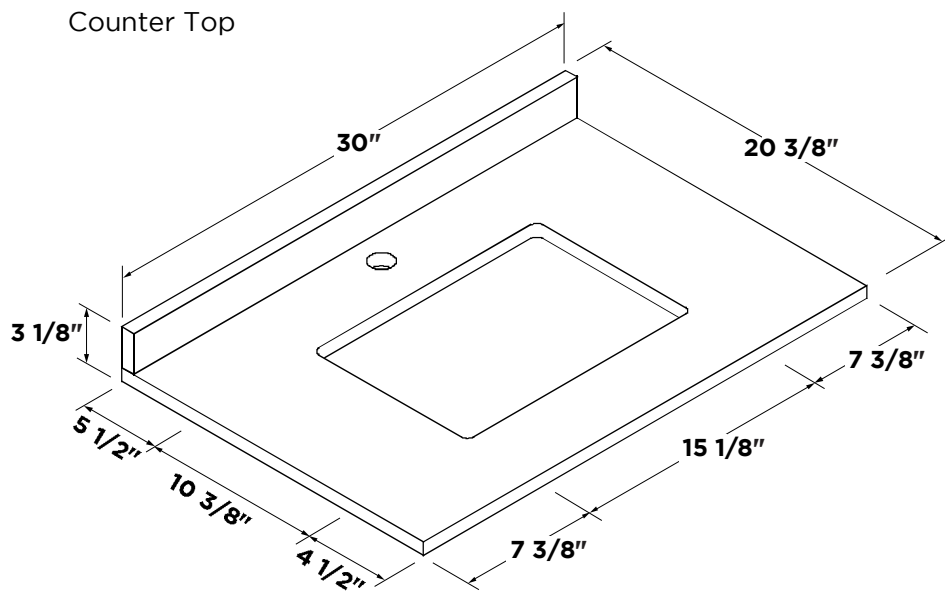


Vanity Front



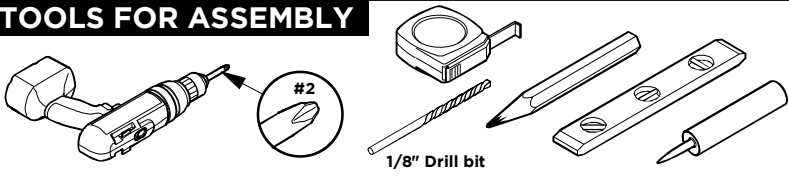
Vanity Back





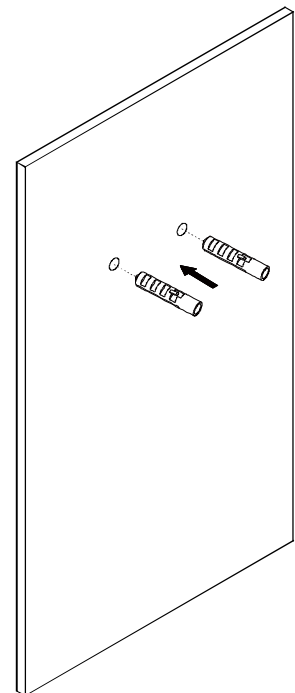
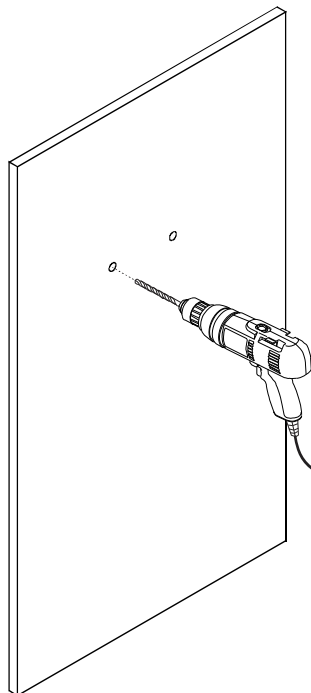
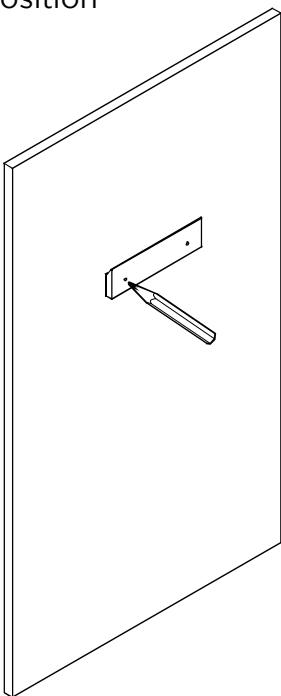
Note: All dimensions and specifications are approximate and subject to change without notice.

TOOLS FOR ASSEMBLY



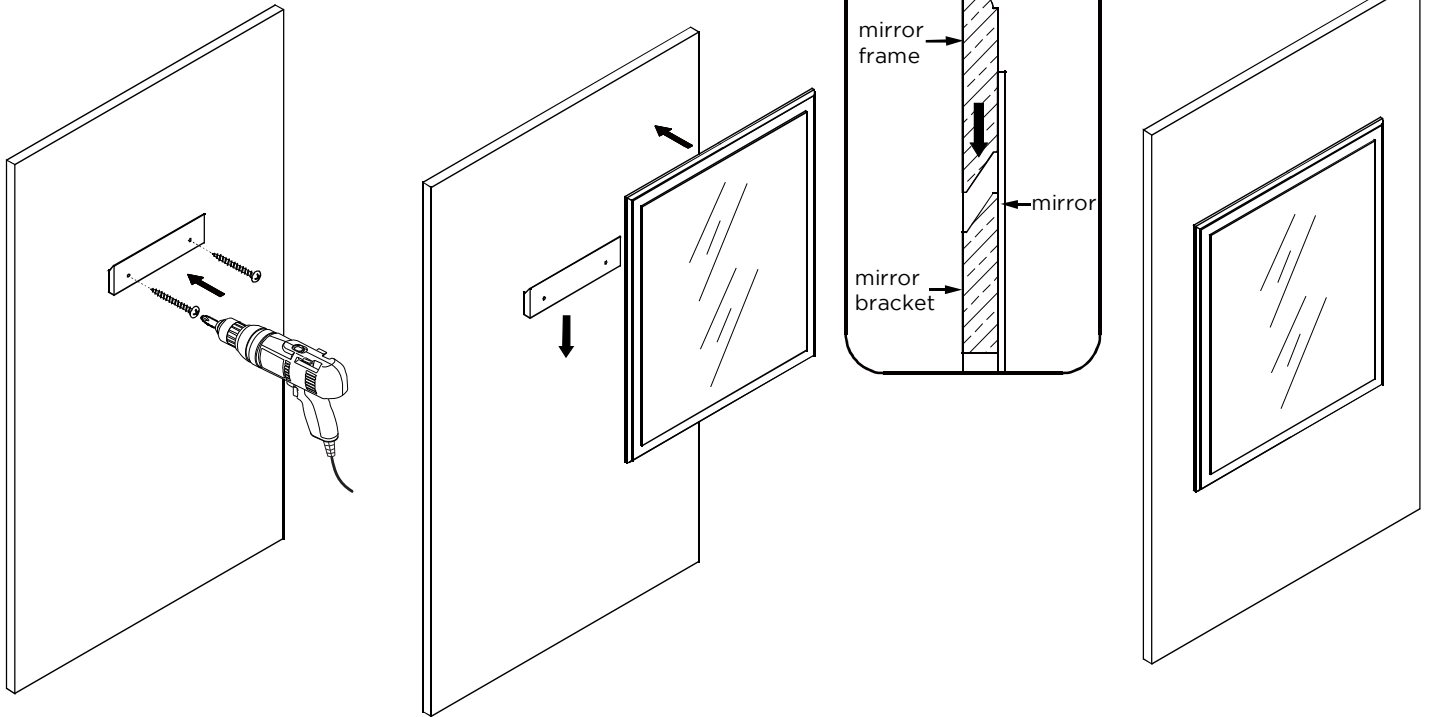
MIRROR INSTALLATION

- 1 Level the mirror bracket and then mark the installation position
- 2 Drill the installation holes
- 3 Insert the plastic plug



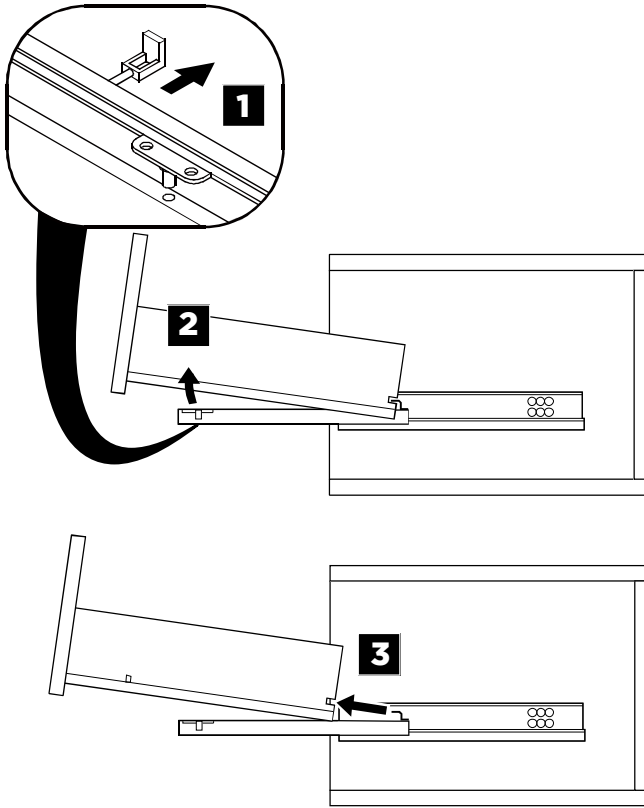
4 Fix the mirror bracket

5 Hang up the mirror

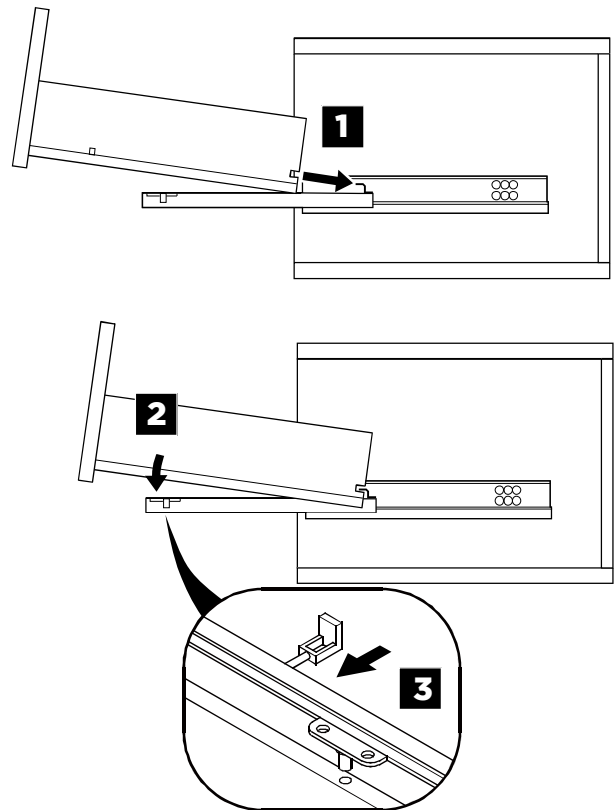


DRAWER REMOVAL & INSTALLATION

REMOVAL

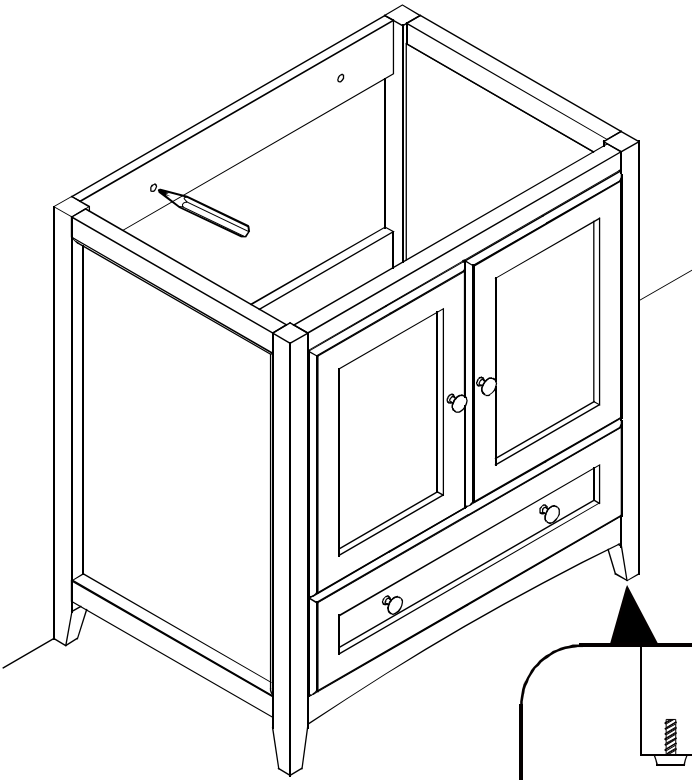


INSTALLATION



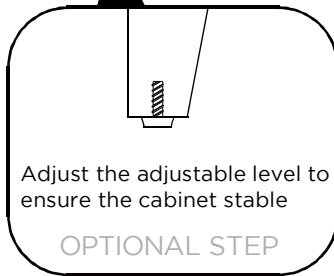
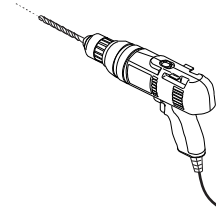
1

Level the cabinet and mark the installation position



2

Drill the installing holes

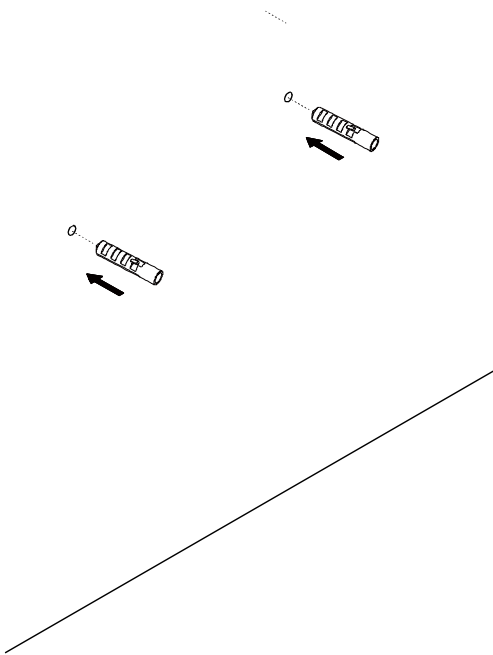


Adjust the adjustable level to ensure the cabinet stable

OPTIONAL STEP

3

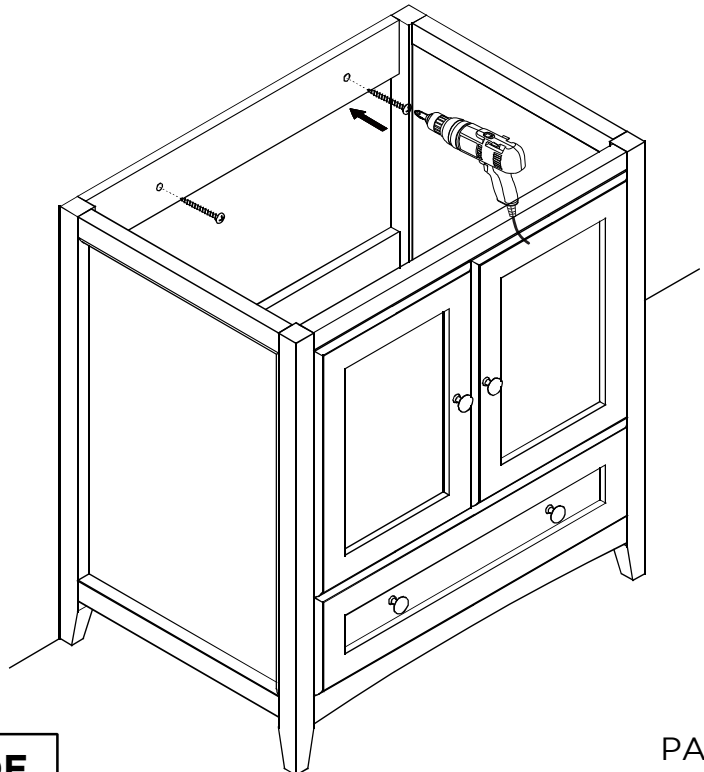
Insert the expansible plastic plugs



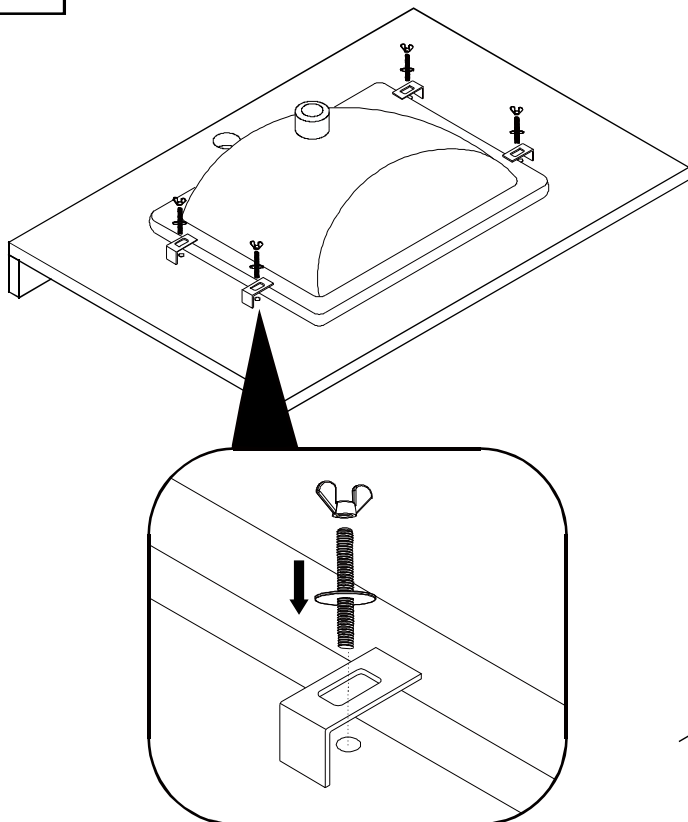
4

Install cabinet

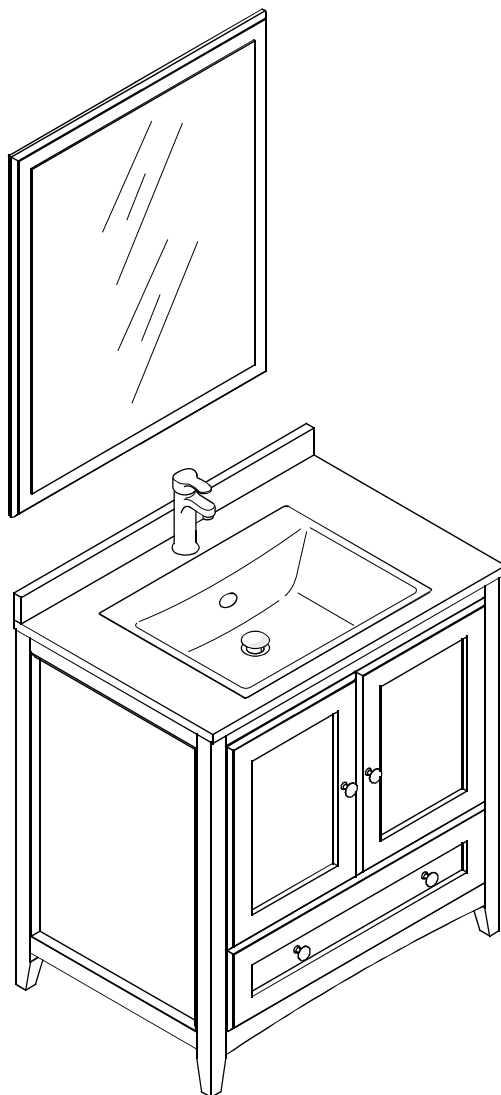
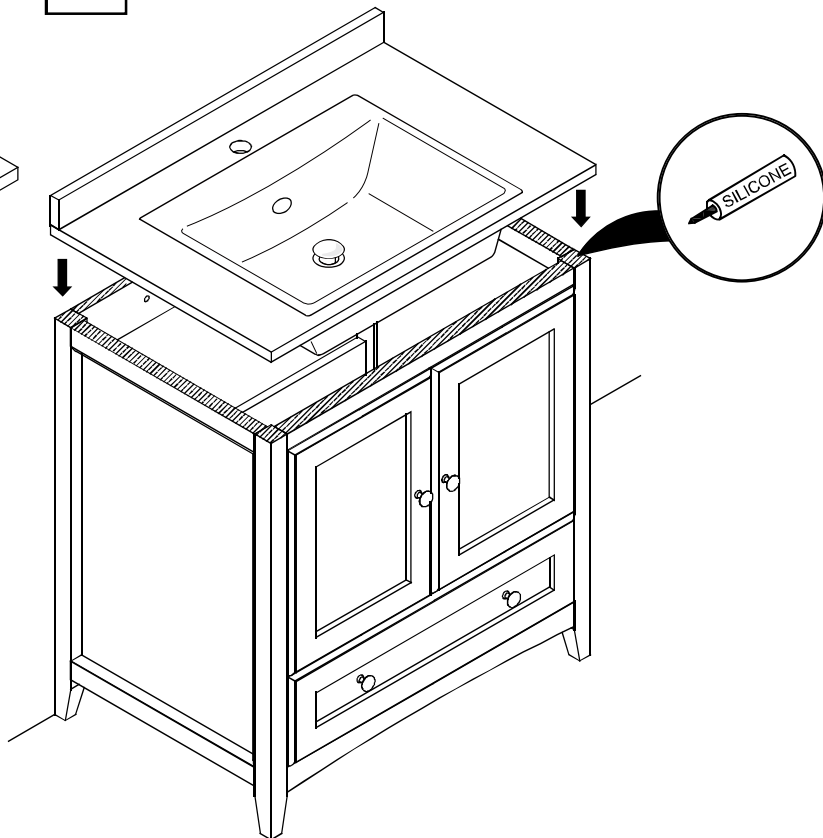
IMPORTANT: Consult an expert for the proper screws/bolts to use when attaching to various wall constructions. Screws provided do not attach to all wall construction types.



5 Install sink

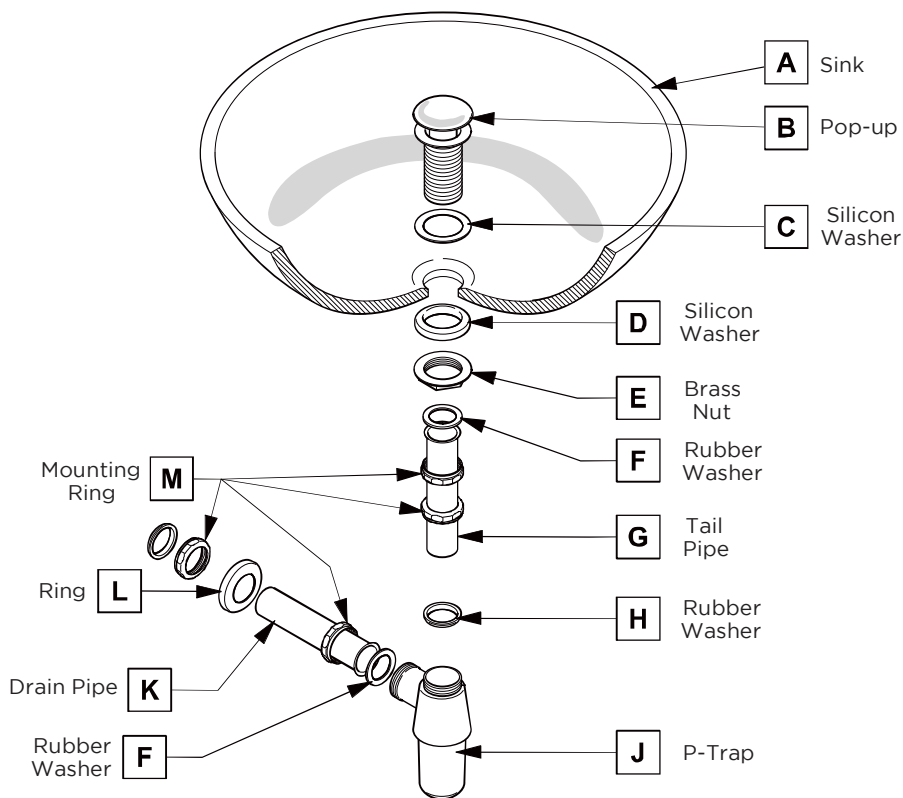


6 Install counter top



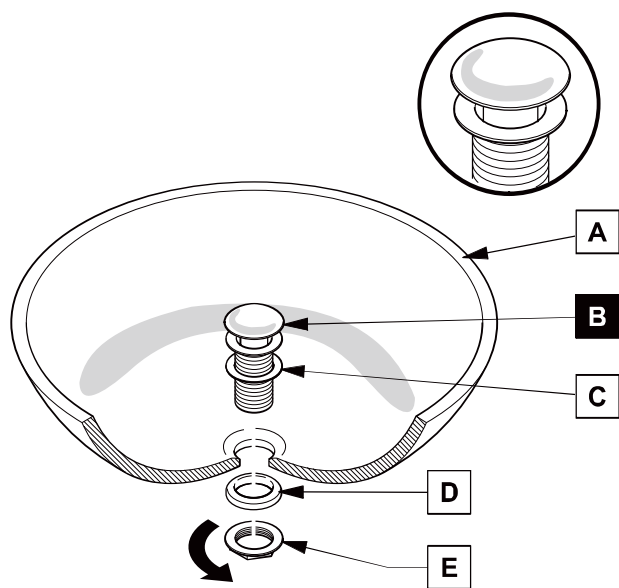
P-TRAP AND POP-UP INSTALLATION INSTRUCTIONS

Your item may appear slightly different from the illustration



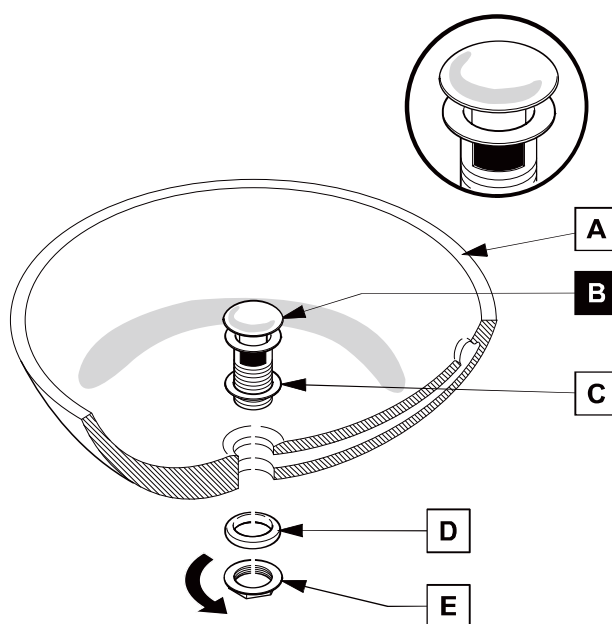
POP-UP INSTALLATION

FOR SINKS WITHOUT OVERFLOW



OR

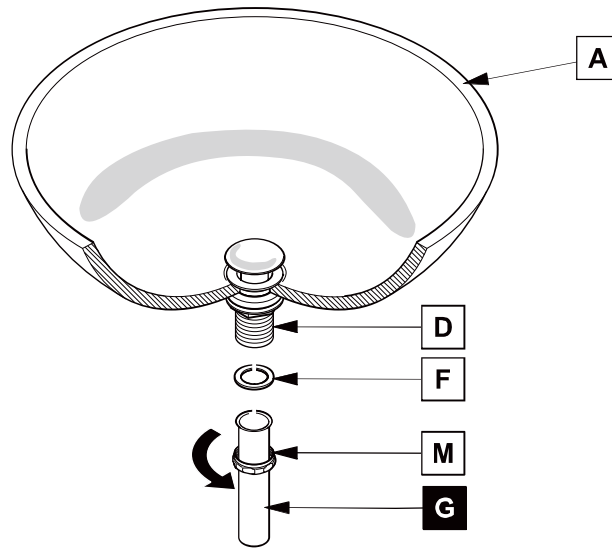
FOR SINKS WITH OVERFLOW



P-TRAP INSTALLATION

1

Install tail pipe (G)



2

Install p-trap (J)

