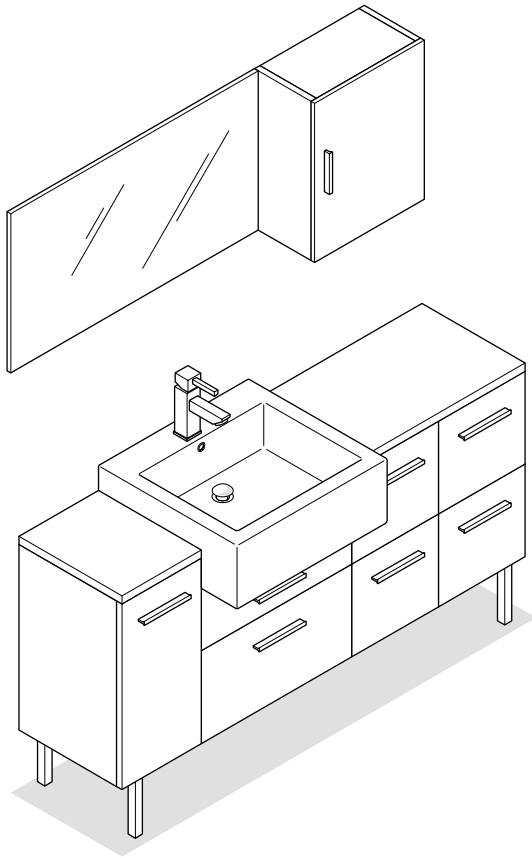
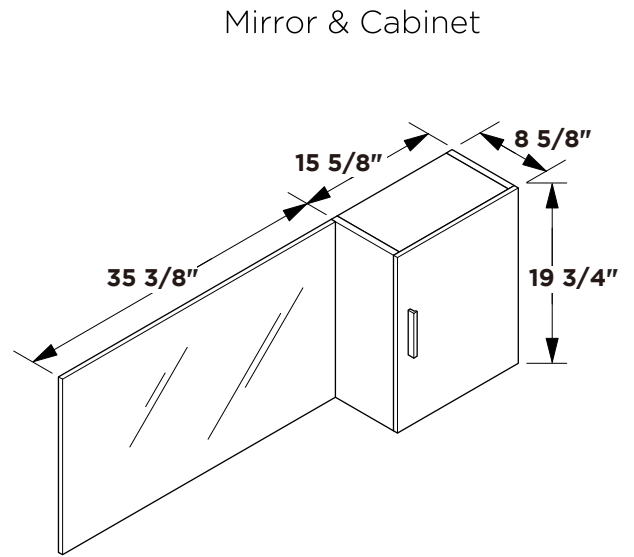


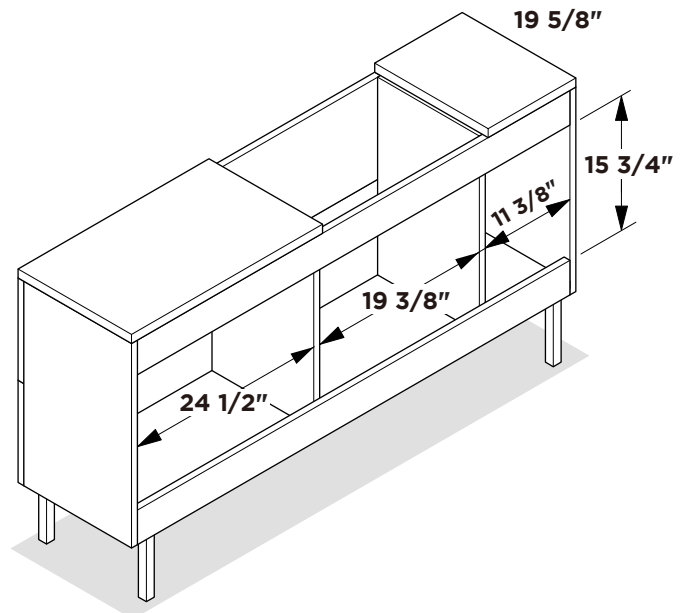
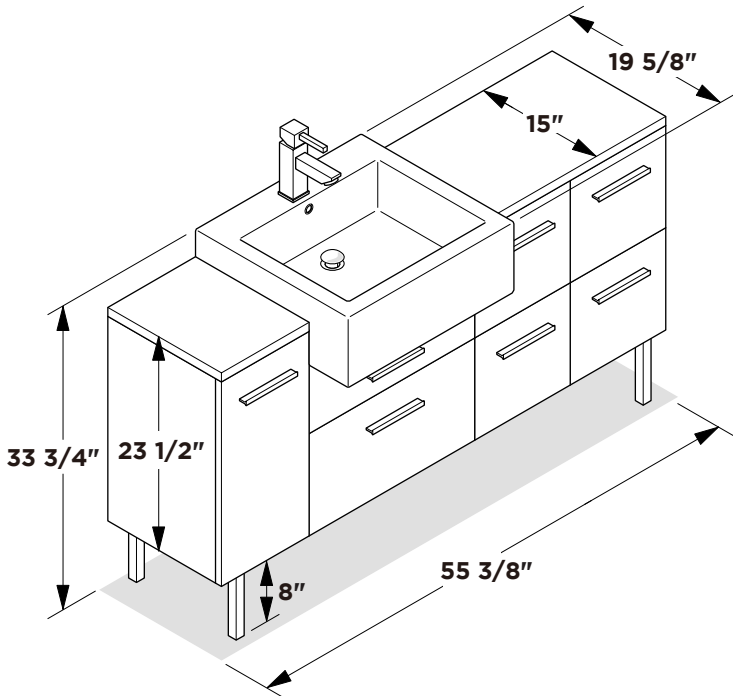
FVN6143  
**SERIO**  
**INSTALLATION GUIDE**



Vanity Front



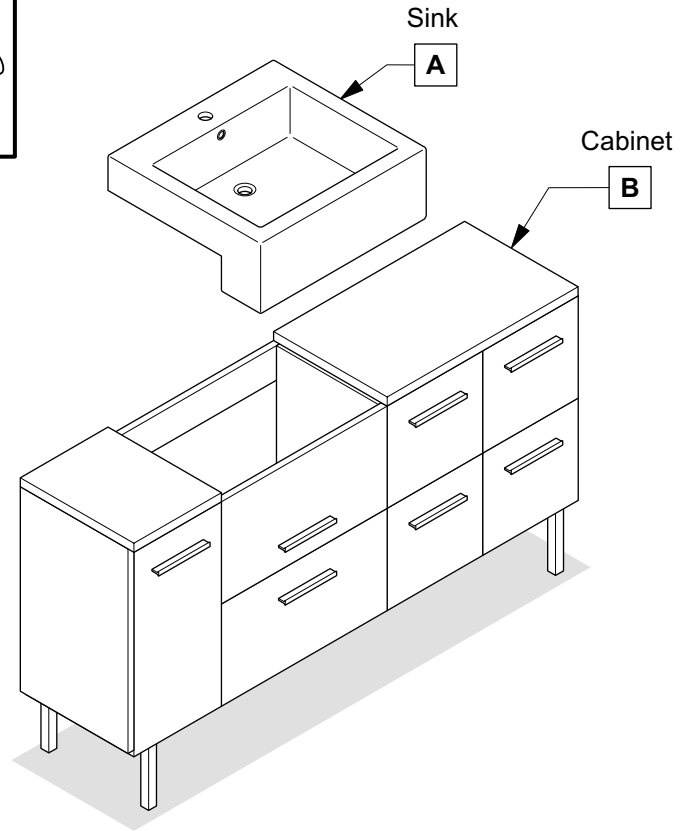
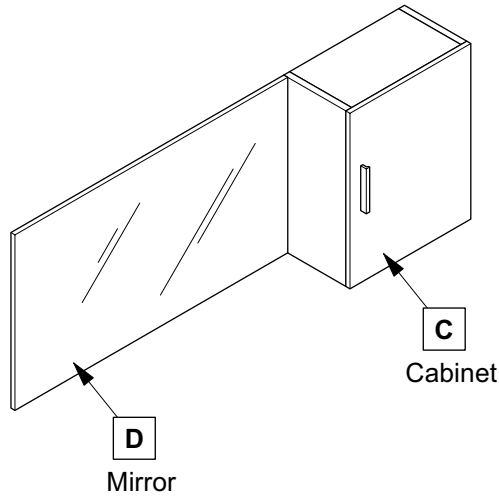
Vanity Back



**TOOLS FOR ASSEMBLY**

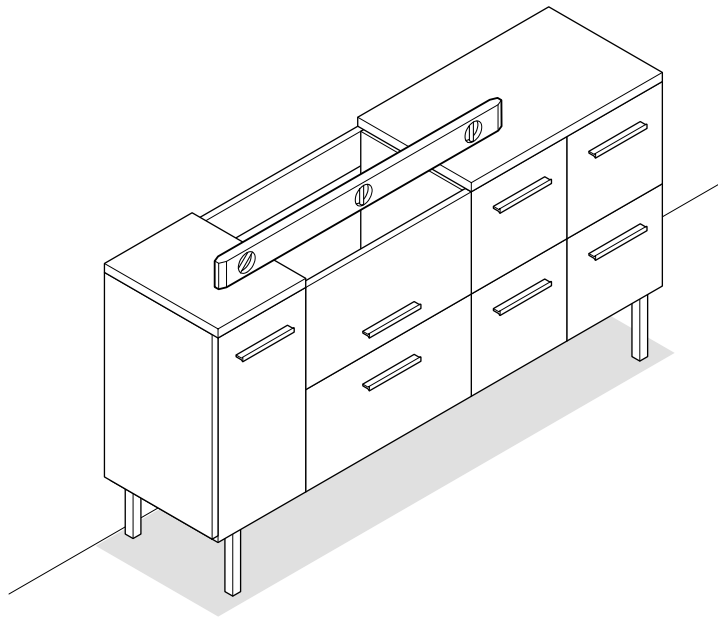


**PARTS**

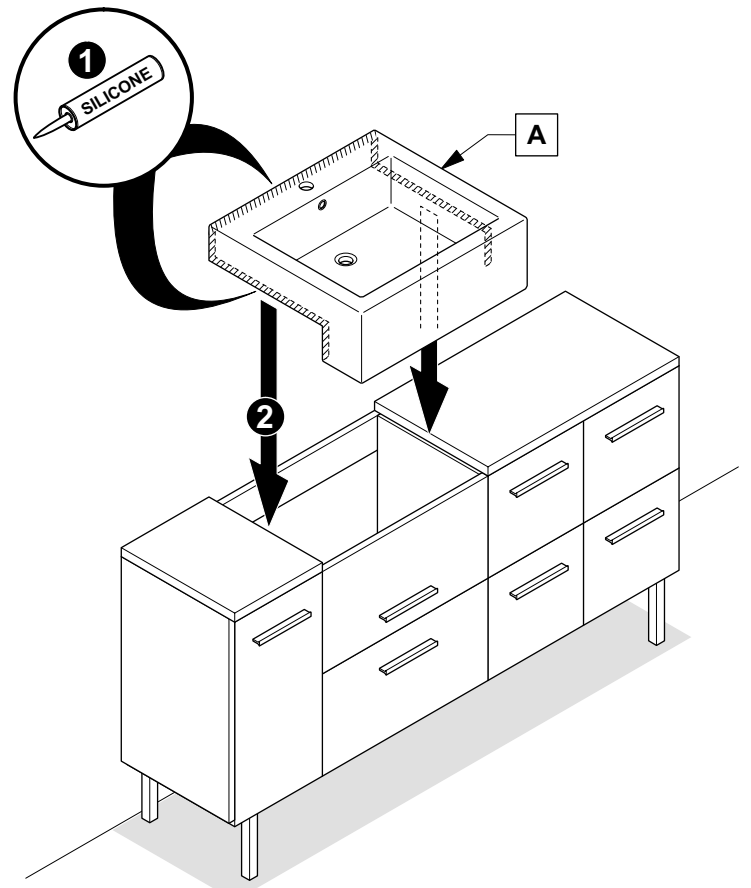


**1 Install cabinet (B)**

**IMPORTANT:** Consult an expert for the proper screws/bolts to use when attaching to various wall constructions. Screws provided do not attach to all wall construction types.

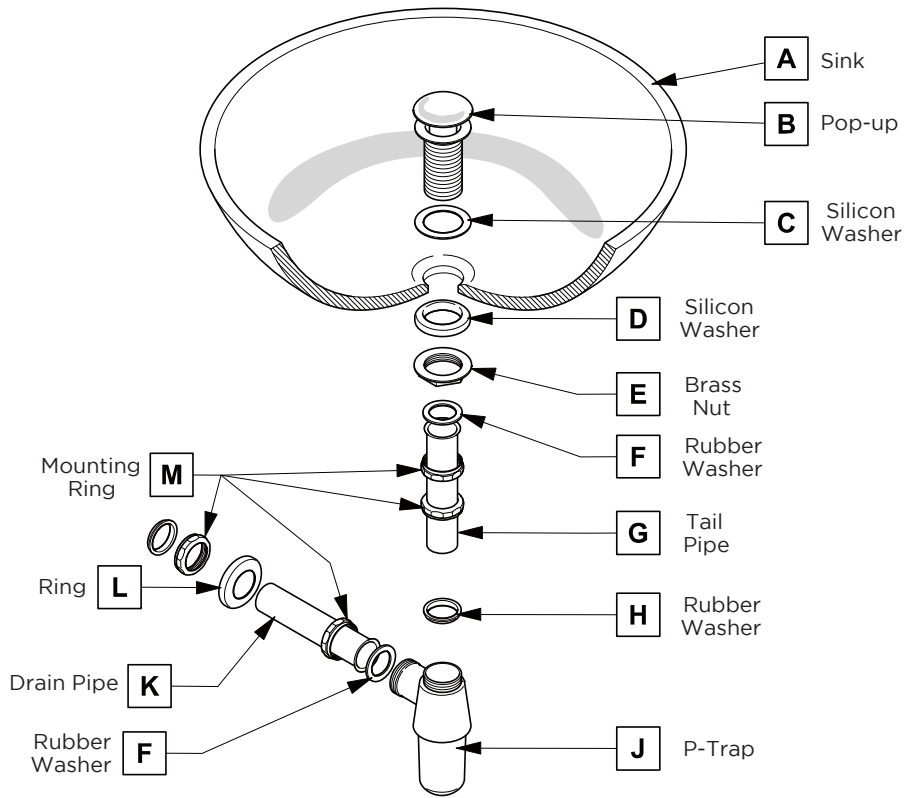


**2 Apply silicone and install sink (A)**



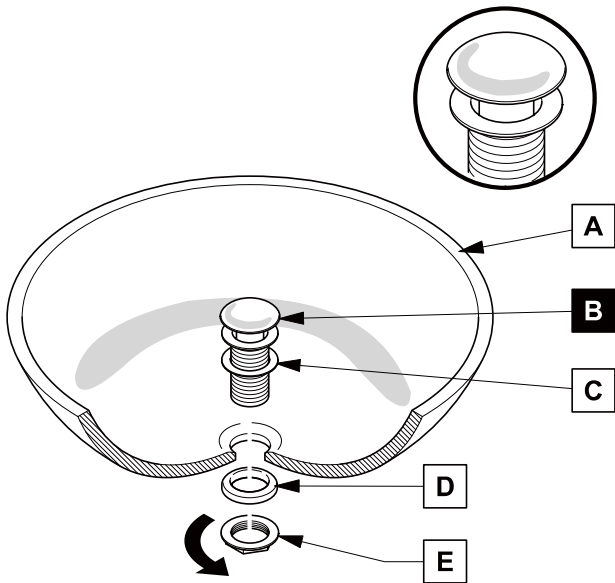
# P-TRAP AND POP-UP INSTALLATION INSTRUCTIONS

**Your item may appear slightly different from the illustration**



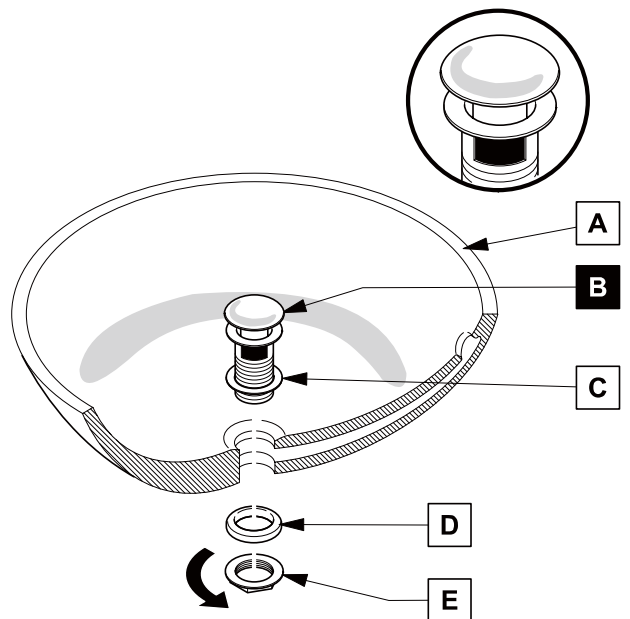
## POP-UP INSTALLATION

### FOR SINKS WITHOUT OVERFLOW



**OR**

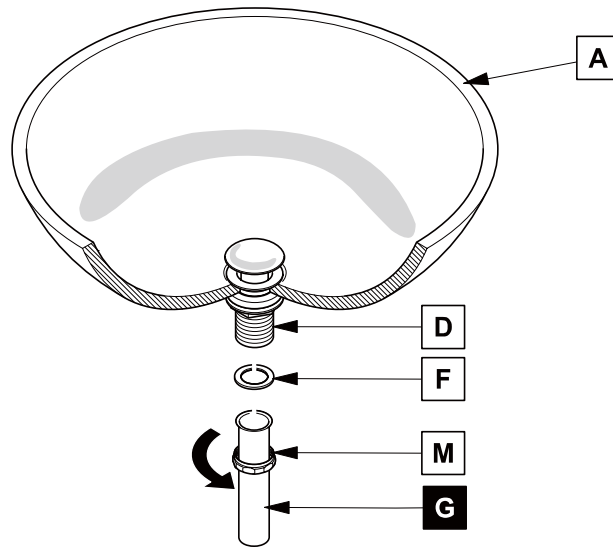
### FOR SINKS WITH OVERFLOW



# P-TRAP INSTALLATION

1

Install tail pipe (G)



2

Install p-trap (J)

