



Single Laundry Tub

LAUNDRY TUBS AND UTILITIES

Manufactured from Veritek®
(see page 2 for detailed information)

WARRANTY
Limited 1-year – Residential
Limited 1-year – Commercial

FEATURES

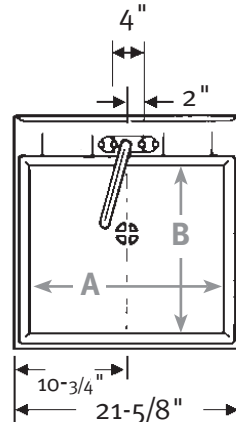
- Made of sturdy Veritek® with no surface coating to chip or crack
- Will not mold or mildew

MF-4F Floor Model

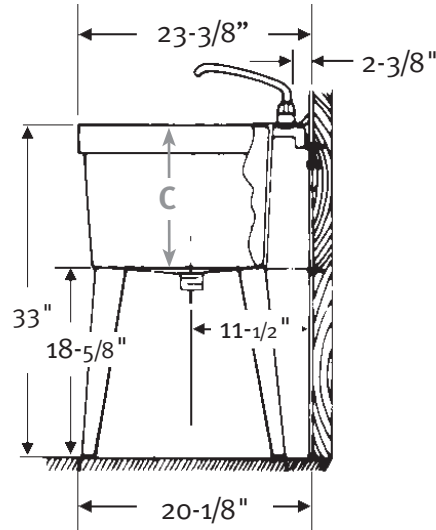
- 4 angular steel or white legs
- Pre-drilled 4" centers
- Installed drain
- 18 gallon capacity (68L)

MF-4W Wall Mounted Model

- Wall bracket assembly
- Pre-drilled 4" centers
- Installed drain
- 18 gallon capacity (68L)



Floor Model
23-3/8" D x 21-5/8" W
(594 mm x 549 mm)
A 20-3/4", B 19-1/4", C 13-1/4"



SPECIFICATIONS

MF-4F & MF-4W Veritek® Laundry Tubs

Model	Part	Dimensions	Ship Wt. Lb.	Ship FedEx	Carton Dims. In.	Cu. Ft.
MF-4F Floor Model	MF40000FM	23-3/8" D x 21-5/8" W (594 mm x 549 mm)	28	FedEx	24 x 23 x 17	5.43
MF-4W Wall Model w/Hanger	MF40000WM	23-3/8" D x 21-5/8" W (594 mm x 549 mm)	28	FedEx	24 x 23 x 17	5.43
MF-4F-6PK Floor Model	MF4000006	23-3/8" D x 21-5/8" W (594 mm x 549 mm)	113	—	40 x 24 x 23	12.78
MF-4W-6PK Wall Model	MF4000006	23-3/8" D x 21-5/8" W (594 mm x 549 mm)	113	—	40 x 24 x 23	12.78

COLORS

(See inside back cover for color sample.)

- White (010)

MF-4F Includes: One single tub, factory installed drain, one set of angular steel legs (4) with hardware and complete installation instructions.

MF-4W Includes: One single tub, factory installed drain, wall bracket assembly and complete installation instructions.

Packaging: Packed in individual cartons.

MF-4F-6PK Includes: Six single tubs, angular steel legs (24) with hardware, factory-installed drains and complete installation instructions.

Packaging: Packed in 6-packs. Requires two cartons: one for tubs; one for legs.

MF-4W-6PK Includes: Six single tubs, wall bracket assemblies (6) with hardware, factory-installed drains and complete installation instructions.

Packaging: Packed in 6-packs. Requires two cartons: one for tubs; one for wall bracket assemblies.

STANDARDS AND RATINGS

American National Standard Institute—ANSI Z124.6
International Association of Plumbing and Mechanical Officials (IAPMO)—listed
cUPC listed—Certified to CSA Standard B45 by IAPMO
American Society for Testing and Materials
National Electrical Manufacturers Association

SUPPORT DOCUMENTS

Installation instructions available on line at www.swanstone.com

MAINTENANCE AND CLEANING INFORMATION

Everyday cleaning with liquid cleaners such as Dow or Lysol foaming bubbles, Top Job, Mr. Clean or similar type products with a sponge or Mr. Clean Magic Eraser. To remove hard water stains or mineral build-up, scale removers such as Lime Away, Rust-out or Whink are recommended. **Do not** use abrasive cleaners or pads such as Ajax, Comet, SOS, Brillo or other similar metal scouring pads.