

Manufactured from Swanstone Veritek®
(see page 2 for detailed information)

WARRANTY
Limited 1-year – Residential
Limited 1-year – Commercial

FEATURES

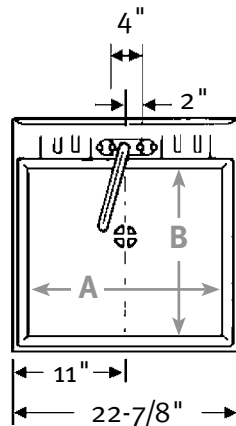
- Made of sturdy Veritek with no surface coating to chip or crack
- Will not mold or mildew

MF-1F Floor Model

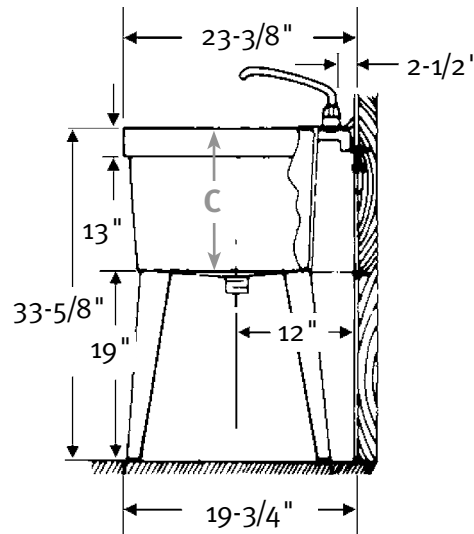
- 4 angular steel or white legs
- Pre-drilled 4" centers
- Installed drain
- 22 gallon capacity (83L)
- Molded-in wash board

MF-1W Wall Mounted Model

- Wall bracket assembly
- Pre-drilled 4" centers
- Installed drain
- 22 gallon capacity (83L)
- Molded-in wash board



MF-1F Floor Model
23-3/8" D x 22-7/8" W
(594 mm x 581 mm)
A 22", B 19-1/8", C 12-3/4"



SPECIFICATIONS

MF-1F & MF-1W Veritek® Single Laundry Tubs

COLORS (See pg. 139 for color sample.)

- White (010)

Model	Part	Dimensions	Ship Wt. Lb.	Ship UPS	Carton Dims. In.	Cu. Ft.
MF-1F Floor Model	MF10000FM	23-3/8" D x 22-7/8" W (594 mm x 581 mm)	28	UPS	24 x 23 x 17	5.43
MF-1PF Floor Model	MF10000PF	23-3/8" D x 22-7/8" W (594 mm x 581 mm)	28	UPS	24 x 24 x 24	8
MF-1W Wall Model w/Hanger	MF10000WM	23-3/8" D x 22-7/8" W (594 mm x 581 mm)	28	UPS	24 x 23 x 17	5.43
MF-1F-6PK Floor Model	MF1000006	23-3/8" D x 22-7/8" W (594 mm x 581 mm)	113	—	40 x 24 x 23	12.78
MF-1W-6PK Wall Model	MF1000006	23-3/8" D x 22-7/8" W (594 mm x 581 mm)	113	—	40 x 24 x 23	12.78

MF-1F Includes: One single tub, factory installed drain, one set of angular steel legs (4) with hardware and complete installation instructions. MF-1PF has white legs.

MF-1F-6PK Includes: Six single tubs, angular steel legs (24) with hardware, factory-installed drains and complete installation instructions.

MF-1W-6PK Includes: Six single tubs, wall bracket assemblies (6) with hardware, factory-installed drains and complete installation instructions.

MF-1W Includes: One single tub, factory installed drain, wall bracket assembly and complete installation instructions.

Packaging: Packed in 6-packs. Requires two cartons: one for tubs; one for legs.

Packaging: Packed in 6-packs. Requires two cartons: one for tubs; one for wall bracket assemblies.

Packaging: Packed in individual cartons.

STANDARDS AND RATINGS

American National Standard Institute—ANSI Z124.6
International Association of Plumbing and Mechanical Officials (IAPMO)—listed
cUPC listed—Certified to CSA Standard B45 by IAPMO
American Society for Testing and Materials
National Electrical Manufacturers Association

SUPPORT DOCUMENTS

Installation instructions available on line at www.swanstone.com

MAINTENANCE AND CLEANING INFORMATION

Clean your Veritek laundry tub with powdered abrasive cleaners. Use of a Scotch-Brite pad is recommended to remove stubborn stains. Occasional use of a mild bleach and water solution ensures that the original luster is maintained.