

**MODEL NO.
TW-32**

**OWNER'S
MANUAL**

CAUTION:

Read *ALL* instructions
carefully *BEFORE*
starting your installation.

*Save this manual for
future reference*



SWAN

The Swan Corporation

Installation procedure for

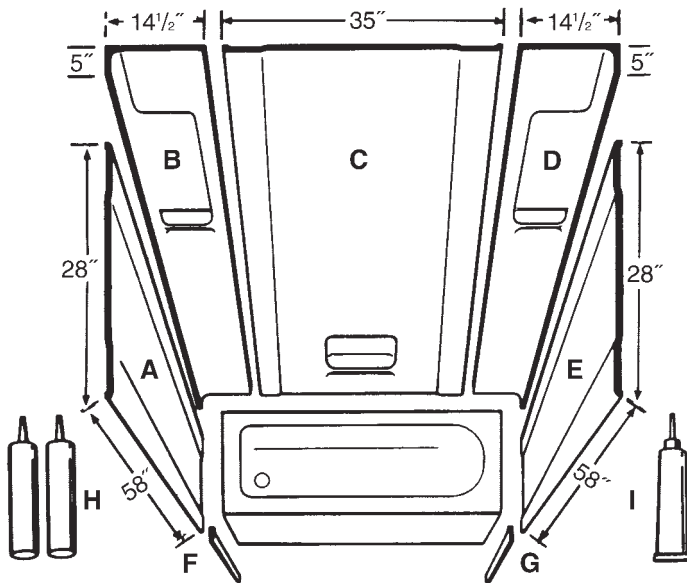
PRESSED FIBERGLASS TUBWAL KIT

Designed for areas 57" x 62" wide, 29" x 32" deep



INSTALLATION • CARE AND CLEANING • REPAIR PARTS

STEP-BY-STEP INSTALLATION INSTRUCTIONS



INCLUDED IN CARTON:

- A One left side panel
- B One left corner panel with soap dish
- C One back panel with soap dish
- D One right corner panel with soap dish
- E One right side panel
- F One left side apron strip
- G One right side apron strip
- H Three tubes of adhesive
- I One tube white caulking

TOOLS REQUIRED TO INSTALL

The only tools needed are a saber saw or drill, ruler, caulking gun and the tools needed to remove faucet handles.

Panels mount directly to the walls with furnished adhesive. Panels come with factory applied pressure sensitive tape affixed to the outside edges.

DO NOT NAIL PANELS TO SUBWALLS. THE HOLES IN THE CORNER PANELS ARE FOR MANUFACTURING PURPOSES ONLY!

MEASURE BEFORE YOU START

Measuring the side walls:

If the depth of the side walls is less than 29", you cannot use Model TW-32. If the depth of the side wall is over 32", extension panels will be necessary—see your wholesaler or write The Swan Corporation for information.

Measuring the back wall:

Measure the width of the back wall. If it measures less than 57", you cannot use Swan Model TW-32. If over 62", extension panels are available.

INSTALLATION PROCEDURE

Inspect all panels before installation for any damage that may have occurred in handling or transit

Allow panels to adjust to room temperature for at least 6 hours.

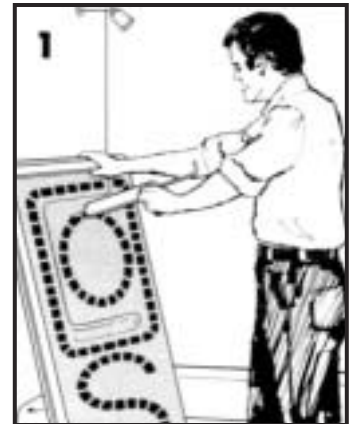
Next, turn off hot and cold water supply, remove faucet handles, escutcheons, filler spouts and any fittings mounted to wall to be covered including towel bars, soap dishes, etc.

Use hammer and chisel to remove objects cemented to walls. Old tiles, ceramic or plastic, if adhered solidly to walls, may be covered with this kit and need not be removed.

Loose tiles must be removed (sand sub walls smooth).

Front edge tiles may be reset for appearance only. Remove soap film and all dirt from wall surface using detergent. Wipe dry; wall surface must be dry before panels can be applied.

TRIAL FIT BEFORE YOU START!



1. CORNER PANELS

If the tub has settled, or walls are out of plumb, it may be necessary to file the bottom edge of a given panel to achieve a good fit across the top.

Select either left or right corner panel (to determine right or left, place the soap dish against the back wall). Apply the adhesive to back of the panel, keeping the adhesive at least one inch from the tape and panel edges.

WALL SURFACE PREPARATION RECOMMENDATIONS FOR FIBERGLASS TUBWAL AND SHOWERWAL UNITS

When installing over SHEETROCK/WATER RESISTANT SHEETROCK/WOOD:

- A) Surface must be dry, smooth and free of any dust, soap scum or any other contaminants. Wipe wall surface with a damp cloth.
- B) For maximum adhesion, the area where the double-faced tape adheres to the wall surface should be sealed with a primer (Bin-Seal or all purpose enamel paint).
- C) After primer/sealer is completely dry, complete the installation following the installation instruction sheet.

When installing over PLASTER:

- A) Surface must be dry, smooth and free of any dust, soap scum or any other contaminants. Wipe wall surface with a damp cloth.
- B) The area where the double-faced tape adheres to the wall surface (textured/swirled finish must be sanded smooth) should be sealed with a primer (Bin-Seal or all purpose enamel paint).
- C) After primer/sealer is completely dry, complete the installation following the installation instruction sheet.

When installing over CEMENT/CONCRETE:

- A) Surface must be dry, smooth and free of any dust, soap scum or any other contaminants. Wipe wall surface with a damp cloth.
- B) The complete area should be sealed with two coats of primer (Bin-Seal or all purpose enamel paint).
- C) After primer/sealer is completely dry, complete the installation following the installation instruction sheet.

When installing over OLD TILE:

- A) Surface must be dry, smooth and free of any dust, soap scum or any other contaminants. Wipe wall surface with a damp cloth.
**NOTE: CERAMIC: LOOSE TILE MUST BE REMOVED.
PLASTIC: ALL TILE MUST BE REMOVED.**
- B) Complete the installation following the installation instruction sheet.

When installing over WALLPAPER:

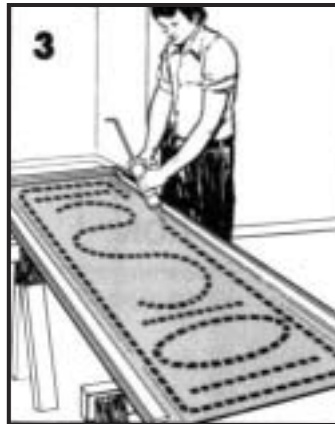
- A) All loose wallpaper must be removed. Surface must be dry, smooth and free of any dust, soap scum or any other contaminants. Wipe wall surface with a damp cloth.
- B) For maximum adhesion, the area where the double-faced tape adheres to the wall surface may be sealed with a primer. Felt or raised pattern wallpaper should have two coats of sealer/primer applied (Bin-Seal or all purpose enamel paint).
- C) After primer is completely dry, complete the installation following the installation instruction sheet.

When installing over MASONITE:

- A) Surface must be dry, smooth and free of any dust, soap scum or any other contaminants. Wipe wall surface with a damp cloth.
- B) Complete installation following the installation instruction sheet.



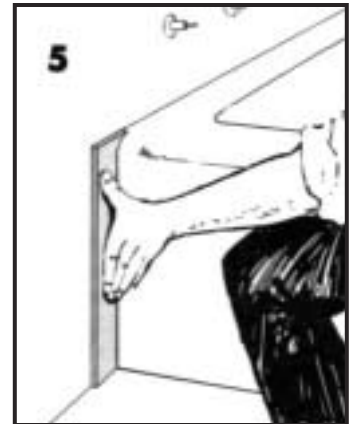
2. For final fit, carefully position corner panel. Press firmly to wall...moving hand pressure up and down and side to side, making sure all areas make firm contact to wall. Repeat for other corner panel to be installed next



3. BACK PANEL
Back panel is slightly taller than the two corner panels, allowing for overlap of the top edge. Trial fit, then apply adhesive following pattern in illustration and add an extra circle around soap dish and shampoo shelf.

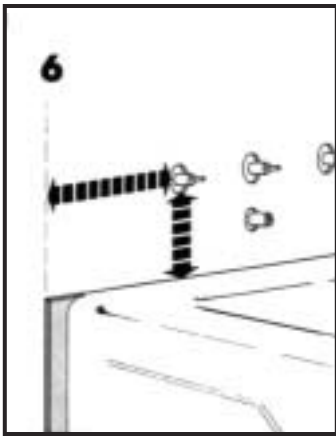


4. Carefully center panel with the bottom edge resting on the top of the tub. Firmly press the entire panel from top to bottom, making sure of a solid contact.



5. APRON STRIPS
If the distance from back wall to front edge of apron is more than 31-1/2", the apron strips will not line up with the side wall and must be cut down or discarded if a straight line from floor to top of the side panel is desired.

Remove paper covering from back of the strips and, noting that the pointed tip faces the back wall, apply to side wall with back edge tightly against the tub's apron.



6. SIDE PANELS

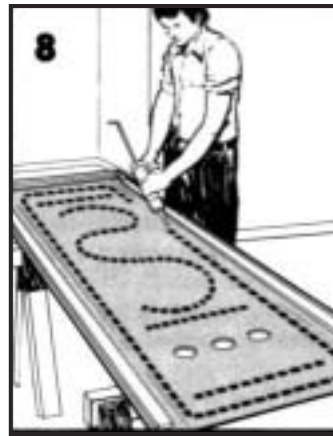
NOTE: Side panels A and E are not interchangeable. Check backs for markings left and right (top).

Measure location of plumbing outlets from a line straight up from front edge of apron strips (or tub, if strips are not used) and height above top ledge of the tub. We suggest you make a template from cardboard to help position your side panel over plumbing outlets.

Transfer measurements to panel making sure (before you drill) that you have selected the correct panel.



7. Use a drill and hole cutting bit, or a hole saw, to cut your holes 1/2" larger than the diameter of the pipes. Drill or cut from the finished side of panel. For best results, place a scrap of wood beneath hole to be cut. This gives you a clean opening. Trial fit before proceeding.



8. Apply adhesive to proper side panel with pattern suggested. Keep adhesive 1" away from factory applied pressure sensitive tape. Put an extra ring of adhesive around drilled holes.



9. Carefully line up front edge of panel with front edge of apron strip (or tub, if strips are not used) with bottom edge resting on the top ledge of the tub. Press firmly starting from bottom and continuing up to insure solid wall contact.

Now caulk around edge next to tub and top edge (see instructions under heading "caulking").

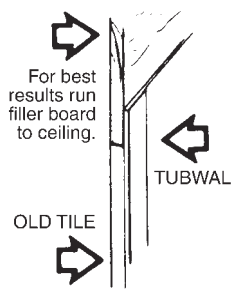


Figure 1.

FILLER BOARD

Measure the height of your tile from the tub ledge up; if tile is less than 58" then you must install a filler board. The filler board must equal the same thickness as the missing tile. Usually 1/4" masonite or similar material is adequate.

For best results, run your filler board from the tile ledge to the ceiling.

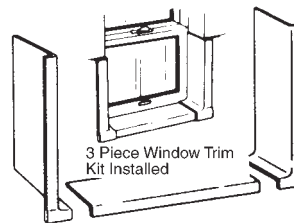


Figure 2.

WINDOW TRIM KIT

(not part of TW-32 TUBWAL KIT—available through your dealer)

This Fiberglass Window Trim Kit is designed to eliminate unsightly sills, decorate and make waterproof the left and right jambs, plus provide a waterproof-natural draining sill.

CAULKING

Following instructions on the caulking tube...apply a bead of caulking along the bottom and top edge of the back panel, side panels and corner panels. The center panel's two lapping edges and the two overlapping edges of the side panels may also be caulked, if desired, however, it is NOT necessary.

CARE AND CLEANING

All panels in this kit are made of fiberglass reinforced polyester with a tough polyurethane coating. The finish is stain and abrasion resistant, however, the finish requires reasonable care.

Wash regularly with warm water, use soft cloth with mild liquid detergent such as Handy Andy, Mr. Clean or Lestoil.

Scouring pads made of nylon, saran, or polyethylene may be used but NEVER USE ABRASIVE SCOURING POWDERS, CLEANSERS OR PADS...THEY DULL FINISH.

Protect finish with any fiberglass wax or automotive paste wax.

CAUTION

Dry cleaning agents and solvents will damage the surface. Burning cigarettes will damage and discolor surface.