

# Corner Shower Seat Installation, Care and Cleaning

## Model CS-1616

### Included In Carton

- One solid surface Swanstone Corner Shower Seat
- One stainless steel mounting bracket
- Six each 5/16" x 2" hex head lag bolts and washers
- One tube of silicone adhesive

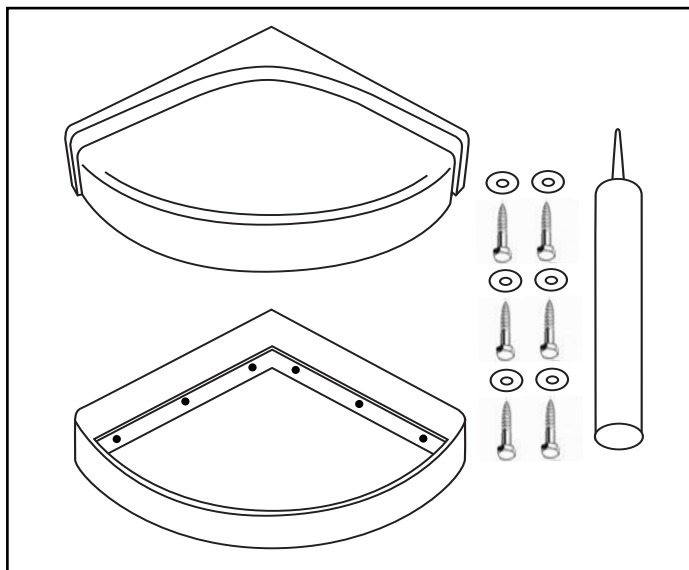
### TOOLS REQUIRED:

- Ruler
- Level
- Drill, 3/16" and 3/8" bits
- Caulking Gun
- 60 grit sandpaper

**IMPORTANT:** The structure strength of the seat and its attachments, when properly installed with backing on a structural wall, shall withstand a maximum weight of 300 pounds.

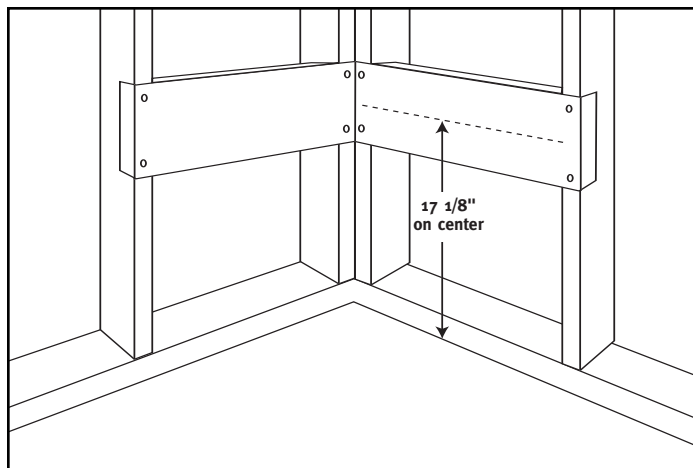
Check all state and local codes for mounting requirements before installation.

**NOTE:** This product is designed so that the mounting bracket is secured to a strong and stable surface. Any application that doesn't allow for solid contact between the mounting bracket and the in-wall support system is unacceptable.



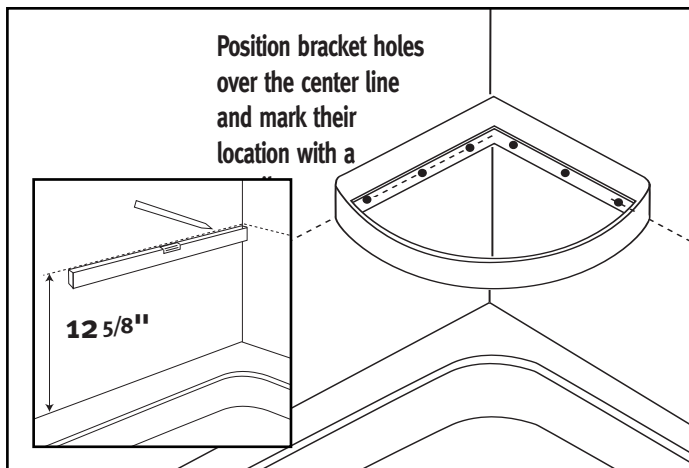
### DAY-TO-DAY CLEANUP

Like all Swanstone material, use normal household detergents and cleansers. Just wiping the surface removes watermarks and residues. Occasional scrubbing with household abrasive cleaners ensures that the original luster is maintained similar to tile and other permanent bath fixture materials.



1. The shower seat must be installed using sufficient in-wall backing materials. A 2 x 6 wall support must be installed 17-1/8" on center. This will provide a shower seat height of approximately 19".

**NOTE:** After installing the 2 x 6 wall support, finish out the wall with drywall and a Swanstone wall panel system or a wall covering of your choice. After the wall covering has been installed, set, and allowed to cure, move to step #2.

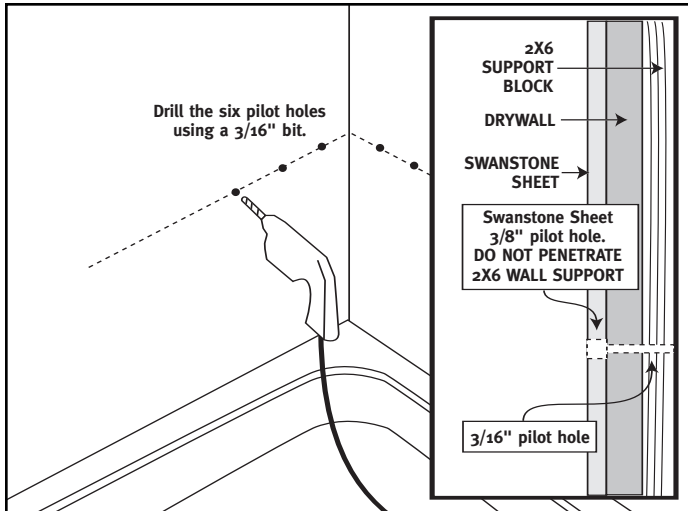


2. A common shower seat height is 19". To accommodate this suggested height, mount the wall bracket 12-5/8" off of the shoulder of the Swanstone Shower Floor. If mounting over a Swanstone Retrofit Shower Floor, the 12-5/8" measurement must be changed to 13-5/8" or 17-1/8" off of the subfloor.

With a level and a pencil, and working out from the corner, draw a centerline that will enable you to properly position the mounting bracket.

Using the mounting bracket as a template, position the bolt holes over the centerline and mark the bolt hole locations. Be sure that the mounting bracket is snug against the corner when doing this.

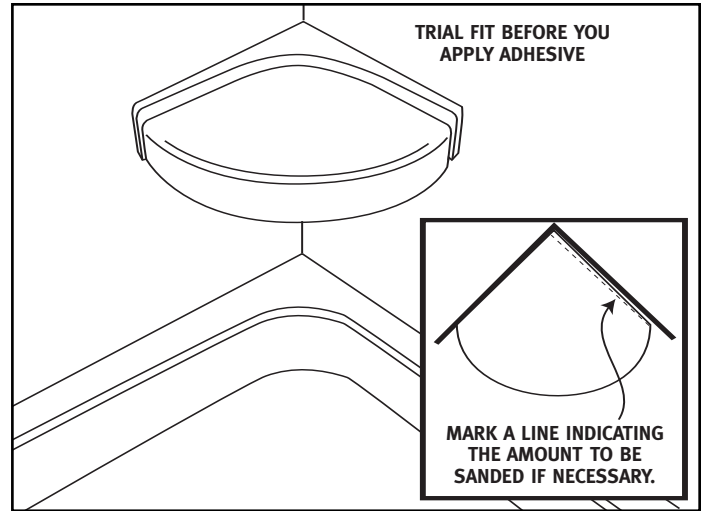
## Swanstone Corner Shower Seat Installation (continued)



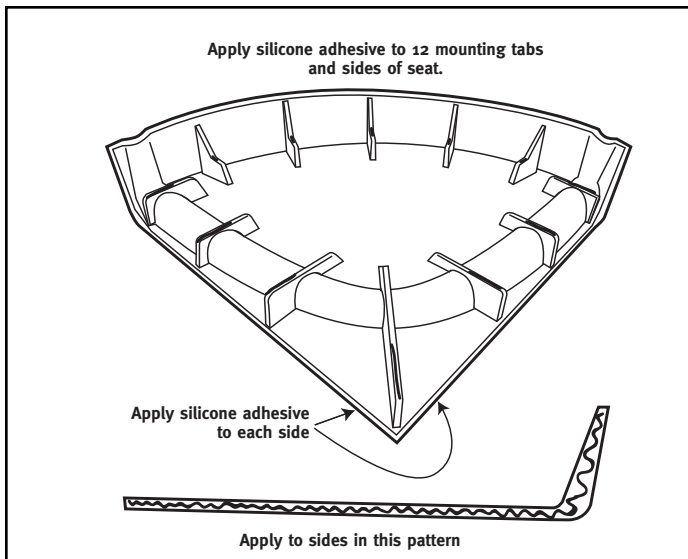
3. Drill six pilot holes using a 3/16" drill bit.

**IMPORTANT:** If the shower seat is being installed with a Swanstone Wall panel, the following procedure must be followed. After drilling the six 3/16" pilot holes, use a 3/8" drill bit to drill a pilot hole through the Swanstone sheet. Only drill this pilot hole through the Swanstone panel. Do not penetrate the 2 x 6 wall support.

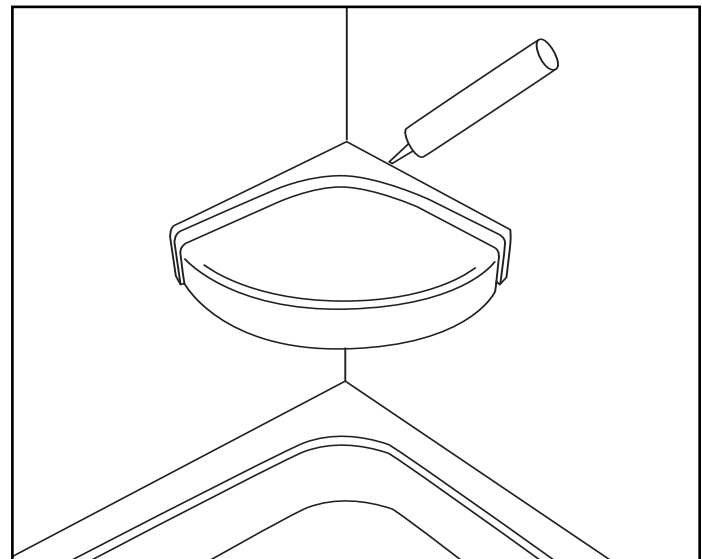
Position the mounting bracket into place and secure with six 5/16" x 2" hex head lag bolts and washers.



4. Trial Fit – Prior to applying adhesive, set the shower seat into position. This will insure that it will fit tightly against the wall. If the wall is not exactly 90 degrees square, it will be necessary to sand one side in order to achieve proper fit. Use a coarse grit (60 grit) sandpaper.



5. Apply silicone adhesive (supplied) to the mounting tabs on the underside of the seat as illustrated.



6. Set the shower seat into place and clean any excess silicone from the wall or seat surface. It may be necessary to re-caulk around the outer perimeter of the shower seat. Following installation, silicone adhesive residue can be cleaned with mineral spirits.

Allow 24 hours for silicone to dry. Do not use shower during this period. To aid in the bonding process, set a full, or nearly full, paint can onto the shower seat. Place a towel or piece of cardboard on the shower seat prior to positioning the paint can.