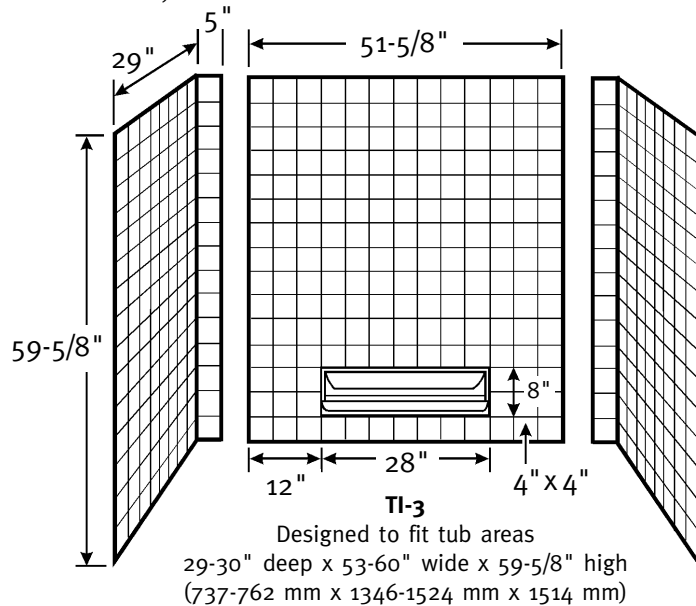


Manufactured from Swanstone Veritek®
(see page 2 for detailed information)

WARRANTY
Limited Lifetime – Residential
Limited 5-year – Commercial

FEATURES

- Has the real tile look, no grout to clean
- Stunning look adds elegance to your bath
- A variety of colors to choose from to customize a bath
- Will not mold or mildew
- Ideal for both remodeling projects and new construction
- Made of Veritek with no surface coating to chip or crack—color runs throughout
- Molded-in soap dish/storage shelf
- The TI-3 is a glue-up 3-piece compression molded unit with molded-in color
- Patented design keeps shower head spray from aiming at seams



SPECIFICATIONS

TI-3 3-Panel Tub Wall & TI-33 Extension

Model	Part	Tub Area Designed To Fit	Ship Wt. Lb.	Ship UPS	Carton Dims. In.	Cu. Ft.
TI-3	TI30000	29-30" D x 53-60" W x 59-5/8" H (737-762 mm x 1346-1524 mm x 1514 mm)	67	-	65 x 57 x 6	12.87
TI-33	TI33000	Extends to 83-5/8" H (2124 mm)	26	UPS	54 x 25 x 6	4.69

TI-3 Kit Includes: One back panel with molded-in soap dish, two end panels, one roll of pressure sensitive tape, three tubes of adhesive, one tube of caulk and complete installation instructions.

TI-33 Kit Includes: One back panel, two end panels, one roll of pressure sensitive tape, one tube of adhesive, one tube of caulk and complete installation instructions.

Packaging: Each kit is packed in a flat, rectangular carton.

STANDARDS AND RATINGS

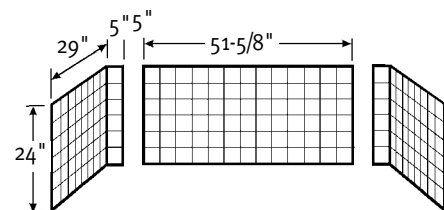
Class B fire rating
American Society for Testing and Materials
National Electrical Manufacturers Association

SUPPORT DOCUMENTS

Installation instructions available on line at www.swanstone.com

COLORS (See pg. 139 for color sample.)

- White (010)
- Bone (037)
- Bisque (018)



The optional TI-33 3-Panel Extension Kit with molded-in color, extends the 59-5/8" height of the TI-3 SwanTile walls to an additional 24" for a total of 83-5/8" above the bathtub edge. Panels can be cut to fit lower ceilings.

MAINTENANCE AND CLEANING INFORMATION

Wash regularly with warm water; use a soft cloth with mild liquid detergent such as Handy Andy, Mr. Clean or Lestoil. Scouring pads made of nylon, saran, or polyethylene may be used but *never* use abrasive scouring powders, cleansers or pads...they dull the finish.