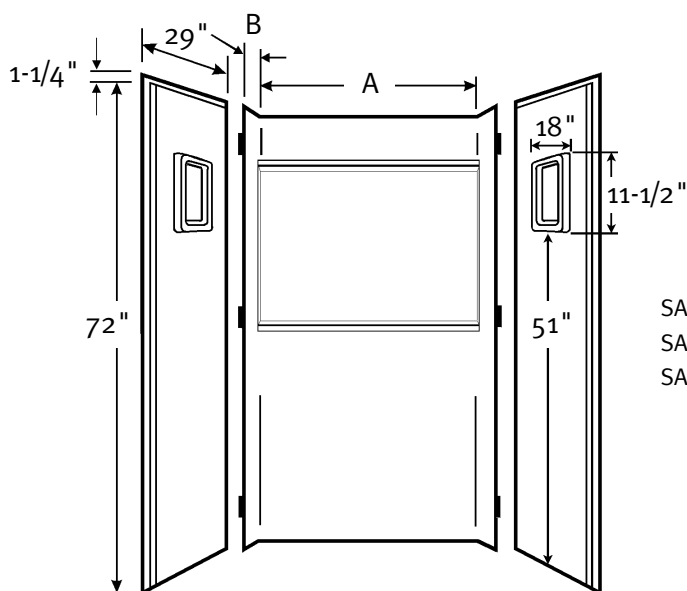


Manufactured from Swanstone Veritek®  
(see page 2 for detailed information)

WARRANTY  
Limited Lifetime – Residential  
Limited 5-year – Commercial

**FEATURES**

- Nails directly to studs for fast installation
- Sturdy interlocking system for one-piece appearance
- Panels easily fit through existing doorways and can be installed by one person
- Made of Veritek composite material with no surface coating to chip or crack
- The SA Series is a 3-piece compression molded material with molded-in color and a natural gloss surface



**Back Panel Dimensions**

SA-3232	A 32"	B 3"
SA-3636	A 36"	B 7"
SA-3448	A 48"	B 5"

**SPECIFICATIONS**

**Veritek® Shower Alcove Walls**

Model	Part	Wall Area Designed To Fit	Ship Wt. Lb.	Ship UPS	Carton Dims. In.	Cu. Ft.
SA-3232	SA03232	32" D x 32" W x 72" H* (813 mm x 813 mm x 1829 mm)	66	-	76 x 35 x 10	15.97
Fits shower floor size 32" D x 32" W x 4" H (813 mm x 813 mm x 102 mm)						
SA-3636	SA03636	36" D x 36" W x 72" H* (914 mm x 914 mm x 1829 mm)	84	-	88 x 40 x 10	20.37
Fits shower floor size 36" D x 36" W x 4" H (914 mm x 914 mm x 102 mm)						
SA-3448	SA03448	34" D x 48" W x 72" H* (864 mm x 1219 mm x 1829 mm)	106	-	76 x 52 x 10	23.39
Fits shower floor size 34" D x 48" W x 4" H (864 mm x 1219 mm x 102 mm)						

\*1-1/2" additional area required on outer edges of wall panels to accommodate nail-up flange.

**COLORS** (See pg. 139 for color sample.)

- White (010)
- Bone (037)
- Bisque (018)
- Bermuda Sand (040)
- Gray Granite (042)
- Tahiti Desert (050)

Each Kit Includes: One right side panel, one left side panel, one back panel with six factory installed wall mounting clips, and complete installation instructions.

Packaging: Each kit is packed in a flat, rectangular carton.

**STANDARDS AND RATINGS**

Class B fire rating  
American Society for Testing and Materials  
National Electrical Manufacturers Association

**SUPPORT DOCUMENTS**

Installation instructions available on line at [www.swanstone.com](http://www.swanstone.com)

**MAINTENANCE AND CLEANING INFORMATION**

Wash regularly with warm water; use soft cloth with mild liquid detergent. Never use abrasive scouring powders, cleaners or pads. They will dull the finish. Protect finish with any fiberglass wax or automotive paste wax.