

With Fit-Flo Drain

Manufactured from Swanstone Veritek®
(see page 2 for detailed information)

WARRANTY
Limited Lifetime – Residential
Limited 5-year – Commercial

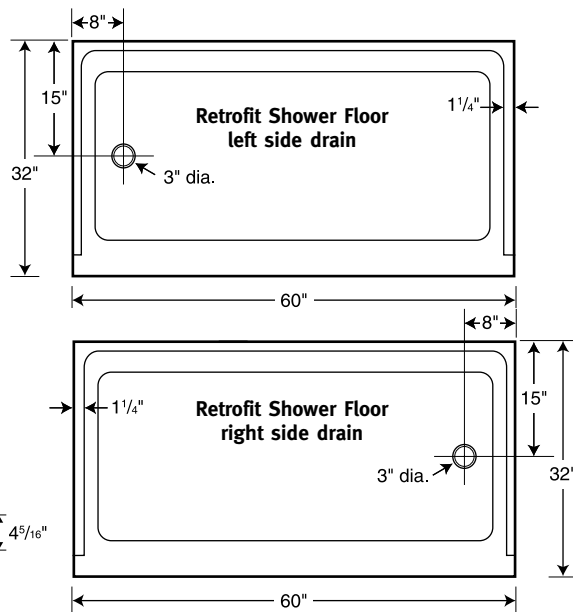
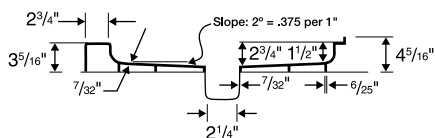
FEATURES

- Will not mold or mildew, no grout to clean
- Coordinates with Swanstone shower and bath walls, vanity tops and wainscoting
- Pebbled, slip-resistant surface
- Made of Veritek with no surface coating to chip or crack
- Without expensive plumbing re-work, this floor can be installed in the same space once occupied by a standard bathtub

Model	Nominal Size	Rough-In Dimensions			
		60"	32"	8"	15"
FR-3260L*	32" x 60"	60-3/8"	32-3/16"	8-3/16"	15-3/16"
FR-3260R**	32" x 60"	60-3/8"	32-3/16"	8-3/16"	15-3/16"

*Retrofit (left side drain) **Retrofit (right side drain)

IMPORTANT: Rough-in dimensions are provided for reference only. You must measure the actual shower floor and check local building code requirements before construction of the stud wall.



SPECIFICATIONS

Retrofit Shower Floors With Fit-Flo Drain

Model	Part	Nominal Size Dimensions	Ship Wt. Lb.	Ship UPS	Carton Dims. In.	Cu. Ft.
FR-3260L	FR3260LM	32" D x 60" W (813 mm x 1524 mm) Retrofit left drain	56	-	66 x 37 x 10	15
FR-3260R	FR3260RM	32" D x 60" W (813 mm x 1524 mm) Retrofit right drain	56	-	66 x 37 x 10	15

Kit Includes: One code approved compression molded Veritek® shower floor with molded-in Fit-Flo drain and complete installation instructions.

Packaging: Each floor packed in a rectangular carton.

STANDARDS AND RATINGS

- Class B fire rating
- American National Standard Institute—ANSI Z124.1.2–2005
- International Association of Plumbing and Mechanical Officials (IAPMO)—listed
- cUPC listed—Certified to CSA Standard B45 by IAPMO
- American Society for Testing and Materials
- National Electrical Manufacturers Association

SUPPORT DOCUMENTS

Installation instructions available on line at www.swanstone.com

COLORS (See pg. 139 for color sample.)

- White (010)
- Bone (037)
- Bisque (018)

MAINTENANCE AND CLEANING INFORMATION

Everyday cleaning should consist of liquid cleaners such as Dow or Lysol foaming bubbles, Top Job, Mr. Clean or liquid Lysol along with a sponge. Remove hard water stains, mineral or soap build-up with scale removers such as Lime-Away. If necessary, you may use an abrasive cleaner such as Ajax or Comet with a nylon brush or pad to remove build up on the pebble surface. Do not use steel wool or a wire brush. An abrasive cleaner, brush or pad will not remove the finish because the color is molded throughout. However, it is best to avoid the higher sheen surface of the floor. Prolonged scrubbing of this area could cause it to look dull and promote soap build up.