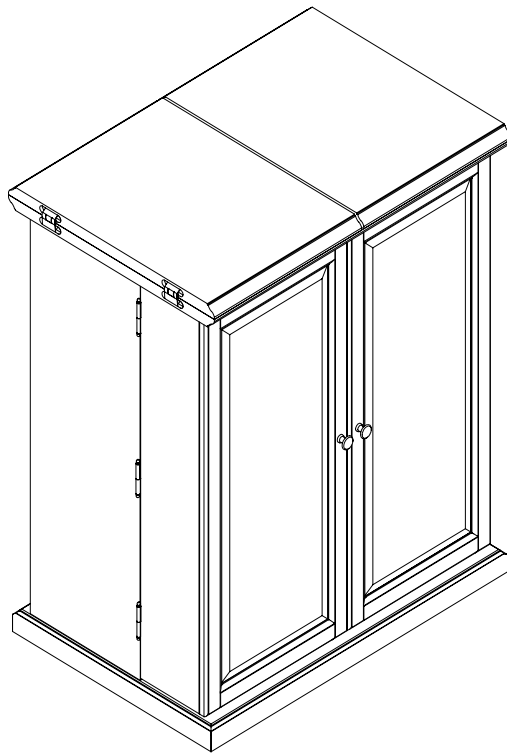


C R O S L E Y
F U R N I T U R E

Expandable Bar Cabinet

CF4001



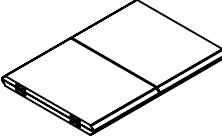
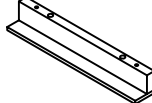
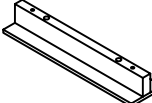
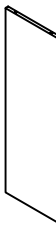
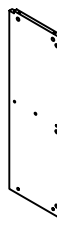

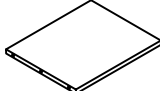
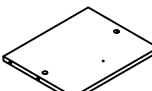
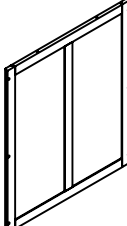
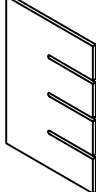
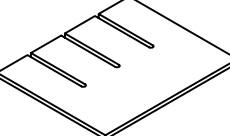
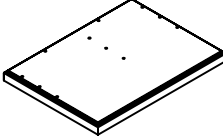


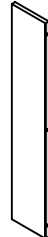

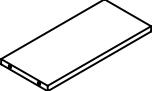

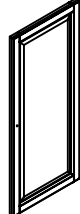
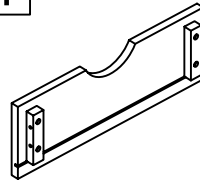
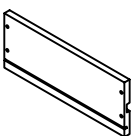
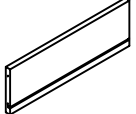
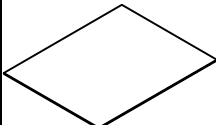
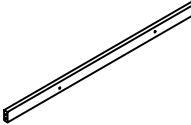
C R O S L E Y
F U R N I T U R E

Congratulations! You have purchased a stylish piece of Crosley Furniture. We strive to provide fine furniture products, built with quality materials and hand finished details. Please carefully follow the assembly instructions to ensure your furniture is assembled correctly to provide long lasting enjoyment.

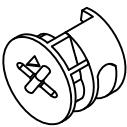
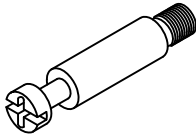
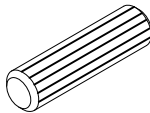


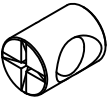
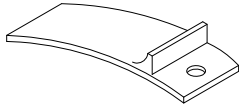
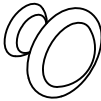
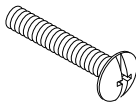
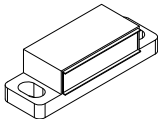

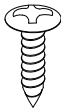
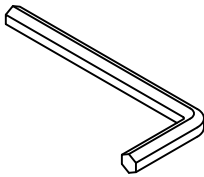


Should you experience any missing or damaged parts, **do not return to the store.** Please contact us directly at 800-815-4796.

Care: Use a soft clean cloth that will not scratch the surface when dusting. Use of furniture polish is not necessary. Should you choose to use polishes, test in an inconspicuous area first. Use of solvents of any kind may damage your furniture's finish. To clean, simply use a soft clean cloth moistened with lukewarm water, then buff with a dry soft clean cloth.

PART LIST

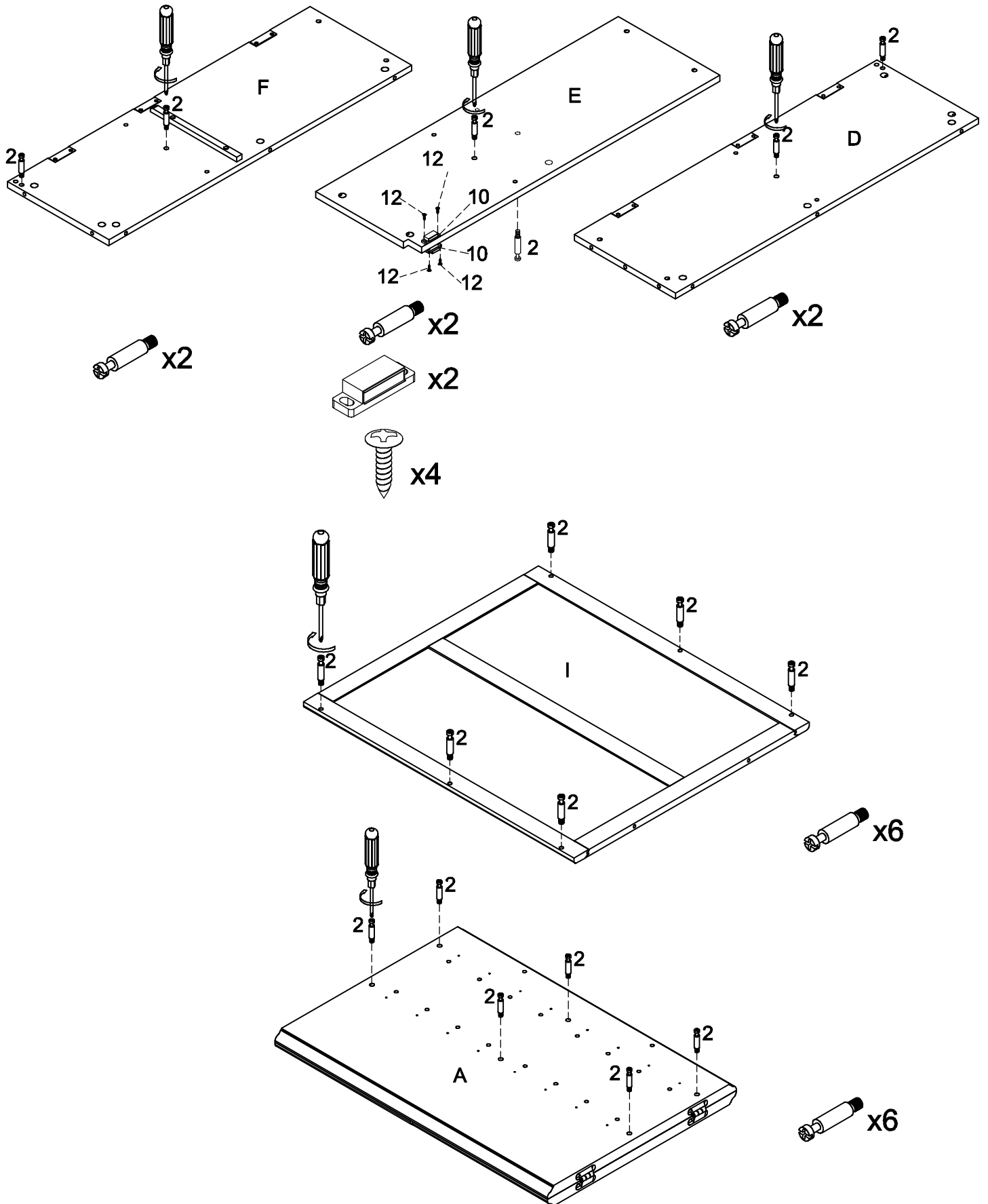
A 	B 	C 	D 	E 
1 PC	4 PCS	4 PCS	1 PC	1 PC
F 	G 	H 	I 	J 
1 PC	1 PC	1 PC	1 PC	3PCS
K 	L 	M 	N 	O 
3PCS	1 PC	1 PC	1 PC	1 PC
P 	Q 	R 	S 	T 
1 PC	8 PCS	6 PCS	2 PCS	1 PC
U 	V 	W 	X 	
2 PCS	1 PC	1 PC	1 PC	

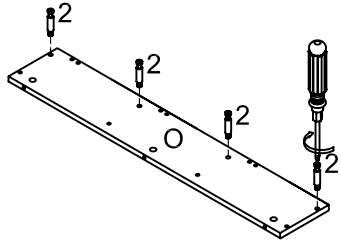
HARDWARE LIST

<p>1</p> 	<p>2</p> 	<p>3</p> 	<p>4</p> 	<p>5</p> 
<p>CAM LOCK 46 PCS</p>	<p>CAM BOLT 46 PCS</p>	<p>WOOD DOWEL 73 PCS</p>	<p>SCREW 10 PCS</p>	<p>HEX SOCKET HEAD BOLT 6 PCS</p>
<p>6</p> 	<p>7</p> 	<p>8</p> 	<p>9</p> 	<p>10</p> 
<p>BARREL NUT 6 PCS</p>	<p>STOPPER 1 PC</p>	<p>KNOB 2 PCS</p>	<p>ROUND HEAD BOLT 2 PCS</p>	<p>DOOR CATCH 2 PCS</p>
<p>11</p> 	<p>12</p> 	<p>13</p> 	<p>14</p>  1-1/2" *ø4*D8	<p>15</p> 
<p>WASHER 4 PCS</p>	<p>ROUND HEAD SCREW 5 PCS</p>	<p>ALLEN KEY 1 PC</p>	<p>SCREW 16 PCS</p>	<p>SAFETY STRAP KIT 1 PC</p>

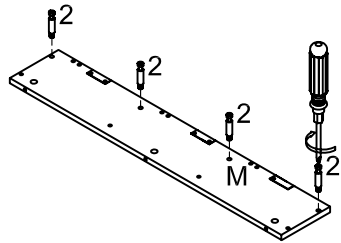
Tools needed: Allen key (part #13)(included)
Phillips Head Screw Driver (Not included)

Step 1. Insert Cam Bolts (Part #2) into pre-drilled holes of Parts A, D, E, F, I, M, N, O, P & S with a Phillips Head screw driver as shown. Attach Hardware Knobs (Part #8) to Door Fronts (Parts S) with Round Head Bolts (Part #9) using Phillips Head screwdriver as shown. Attach Door catches (Part# 10) to Part E with Round Head Screws (Part# 12) using Phillips Head Screwdriver as shown.

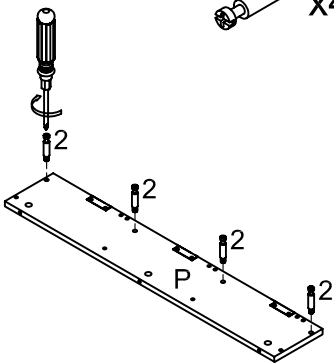




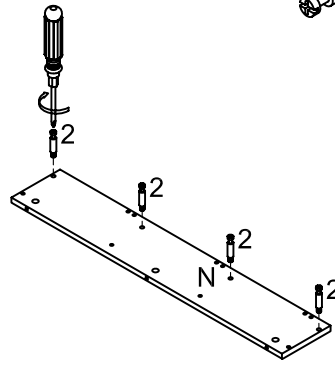
x4



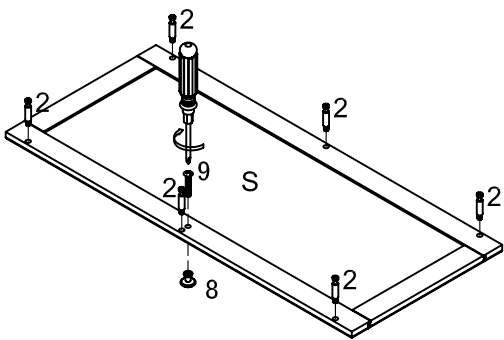
x4



x4



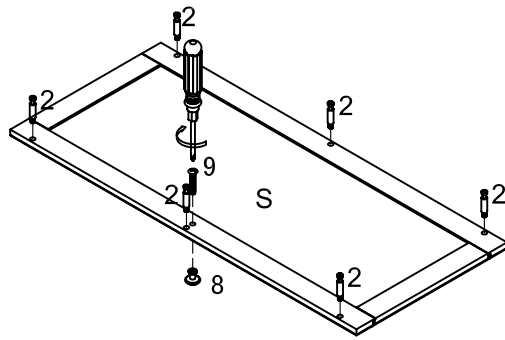
x4



x6

x2

x2



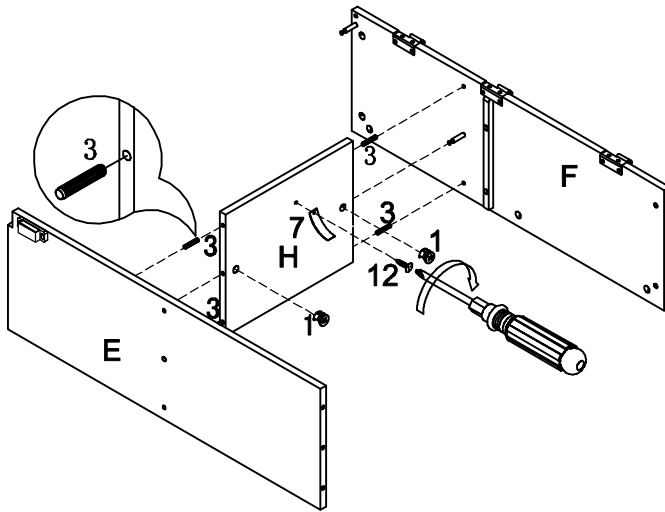
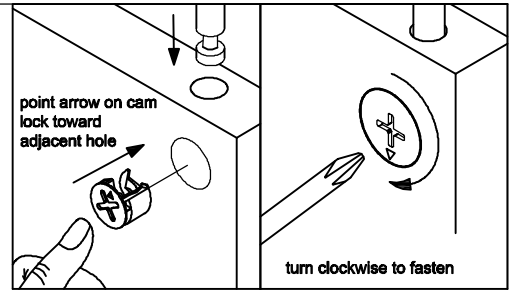
x6





x2

x2

Step 2.

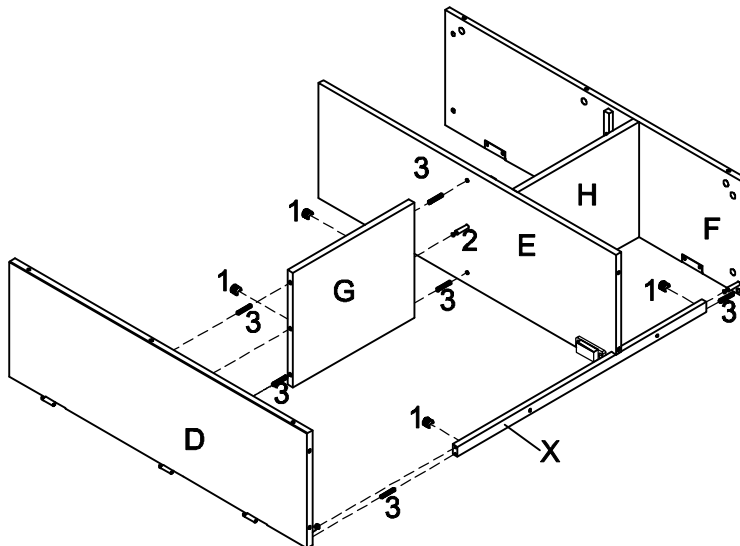
Attach Stopper (Part #7) to Part H with Round Head Screw (Part #12) into pre-drilled hole using Phillips Head screw driver as shown. Attach Parts E & F to Part H using Wood Dowels & Cam Locks as shown.



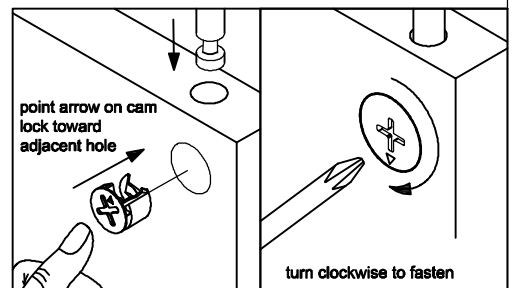
-  x2
-  x1
-  x1
-  x4

Step 3.

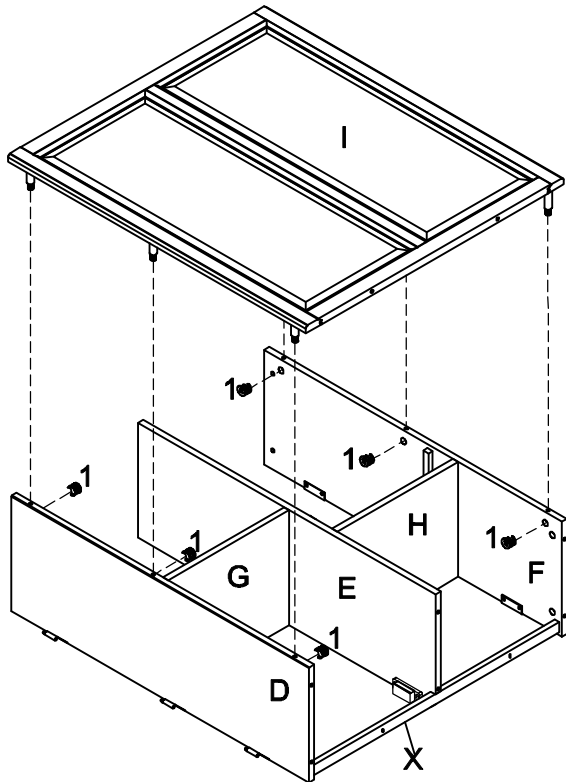
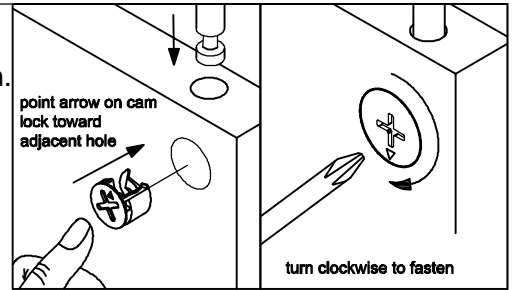
Attach Part X to Part F with Wood Dowel and Cam Lock as shown. Now attach Part G to Part E using Wood Dowels & Cam Locks as shown. Finally, attach Part D to Parts G & X using Wood Dowels & Cam Locks as shown.



-  x6
-  x4

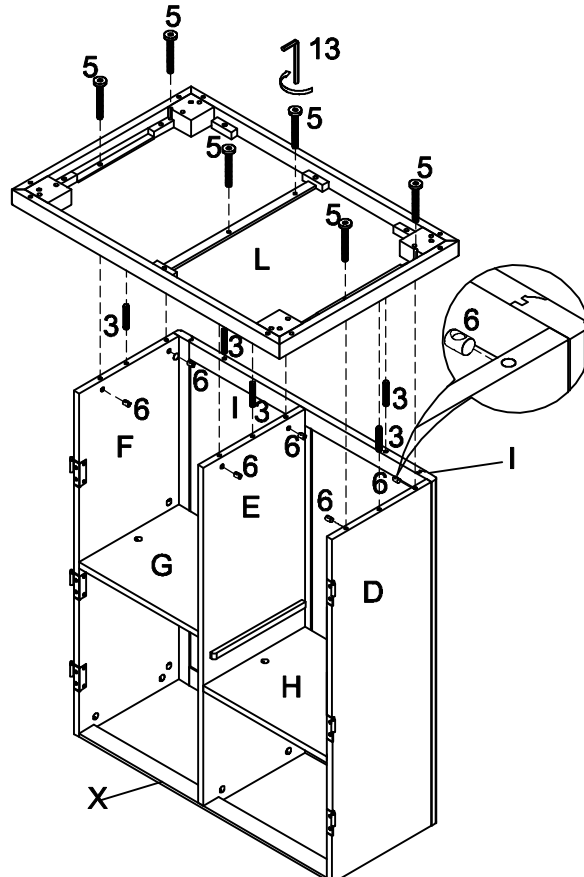


Step 4. Attach Front Panel I to Parts D & F using Cam Locks as shown.



 x6

Step 5. Carefully turn cabinet onto its end with Part X flat on the floor. Attach Base L to Parts D, E, F, & I using Wood Dowels and Barrel Nuts as shown. Attach legs using Hex Socket Head Bolts & Wood Dowels (as shown in instruction manual included in carton with legs). Carefully turn cabinet over so that legs are now on the floor.

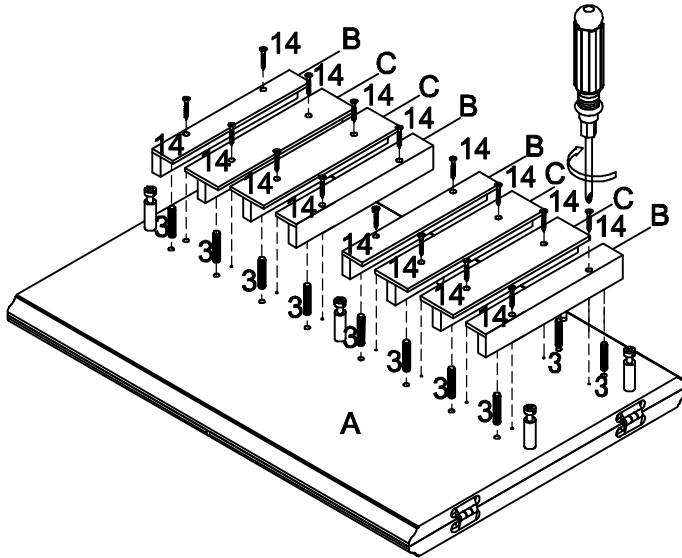



 x6

 x5

 x6

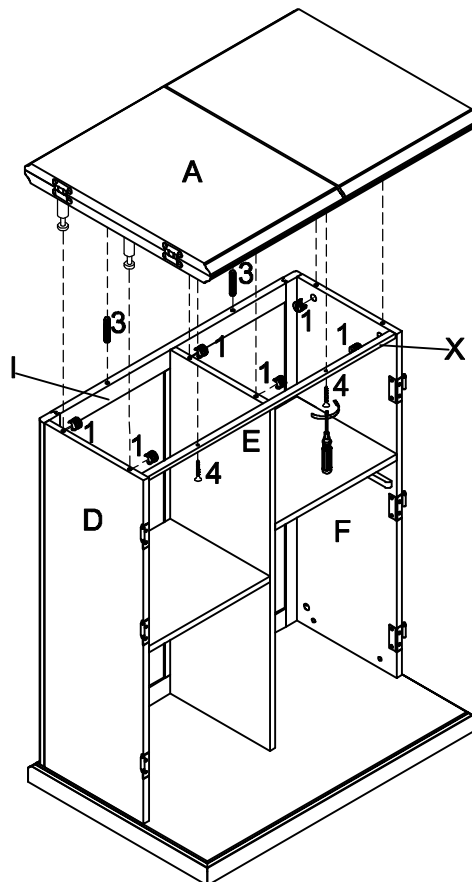
Step 6. Attach Stem Ware Holders (Parts B & C) to Expandable Top A with Wood Dowels and 1 1/2" Screws (Part #14) using Phillips Head screwdriver as shown. **Note: Pay close attention to positioning of Parts B & C. Stem Ware Holder B is an L shaped part. Holder C is a T shaped part. DO NOT OVER TIGHTEN SCREWS!**



 x16
1-1/2"

 x16

Step 7. Attach Expandable Top A to Parts D, E, F, & I with Wood Dowels & Cam Locks as shown. Secure Rail X to Expandable Top A with Screws (Part #4) using Phillips Head screwdriver as shown.



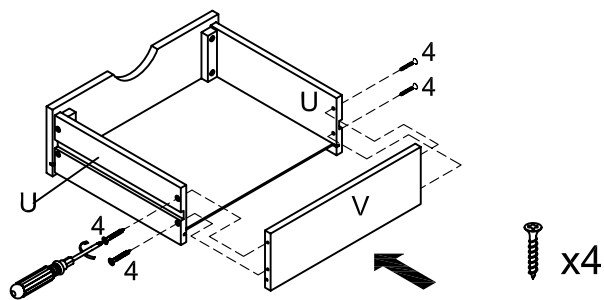
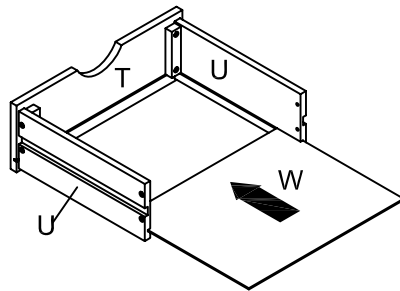
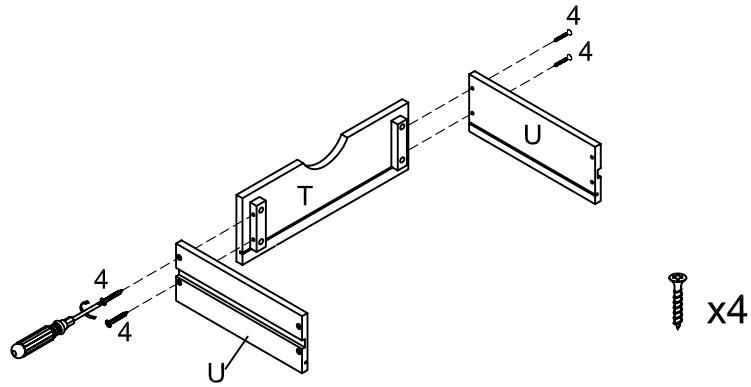
 x2

 x6

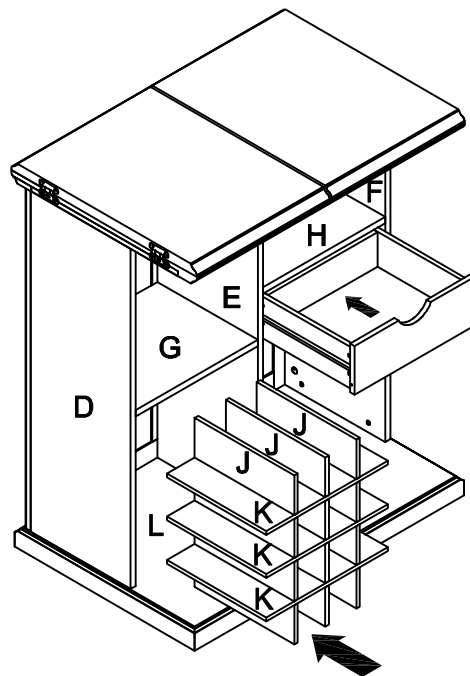
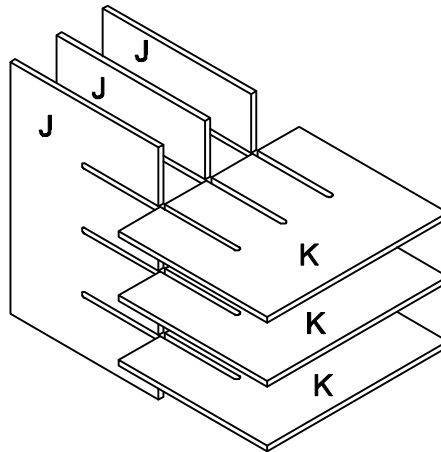
 x2

Step 8.

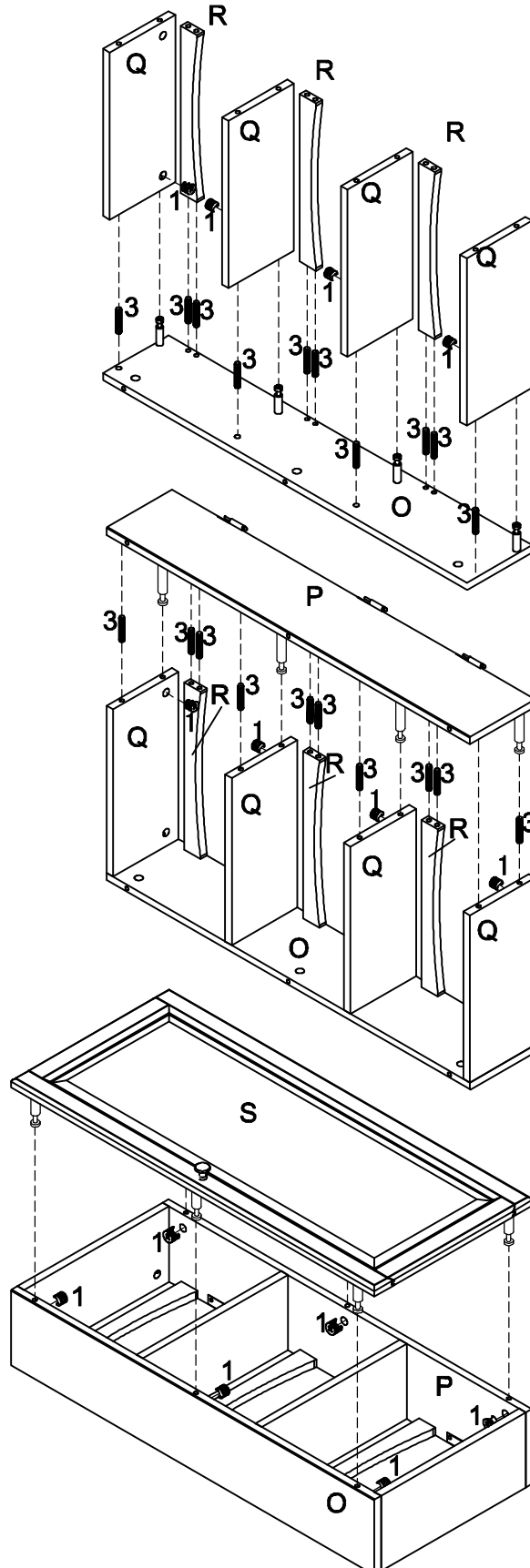
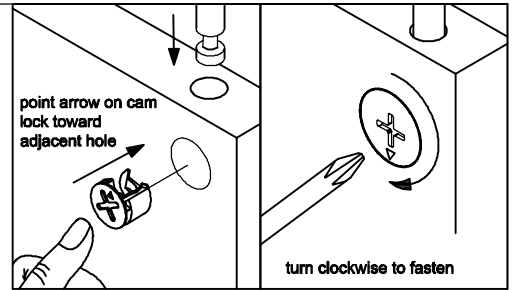
Attach Drawer Sides U to Drawer Front T with Screws (Part #4) through the pre-drilled holes using Phillips Head screwdriver as shown. **Note: The large grooves in the middle of Drawer Sides U should be facing outward & the thin grooves should be aligned with the thin groove in Drawer Front T.** Slide Bottom Panel W into grooves of Drawer Sides U as shown. Attach Drawer Back V to Side Panels U with Screws (Part #4) through pre-drilled holes using Phillips Head screwdriver as shown.



Step 9. Slide Parts J & K together to create wine storage grid. Insert assembled Parts J & K into their appropriate position as shown. Insert assembled drawer from Step 8 into its appropriate position as shown.



Step 10. **(Front Left Storage Door)** - Attach Part Q to Door Side O with Wood Dowels & Cam Locks as shown. Set Rails R into place on Door Side O with Wood Dowels as shown. Attach Door Panel P to Parts Q & R with Wood Dowels and Cam Locks as shown. Lay Door Cabinet flat with parts R flat on floor. Attach Door Front S to Door Sides O & P with Cam Locks as shown.



 x4

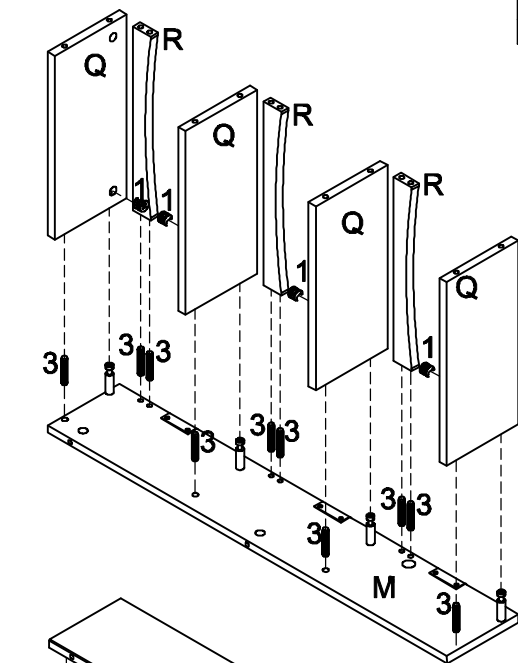
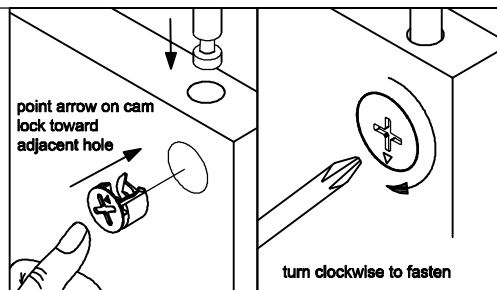
 x10

 x4

 x10

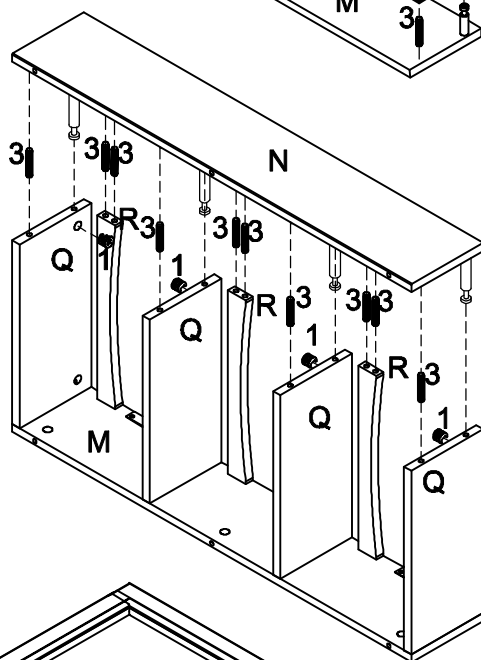
 x6

Step 11. **(Front Right Storage Door)** - Attach Part Q to Door Side M with Wood Dowels & Cam Locks as shown. Set Rails R into place on Door Side M with Wood Dowels as shown. Attach Door Panel N to Parts Q & R with Wood Dowels as shown. Lay Door Cabinet flat with parts R flat on floor. Attach Door Front S to Door Sides M & N with Cam Locks as shown.



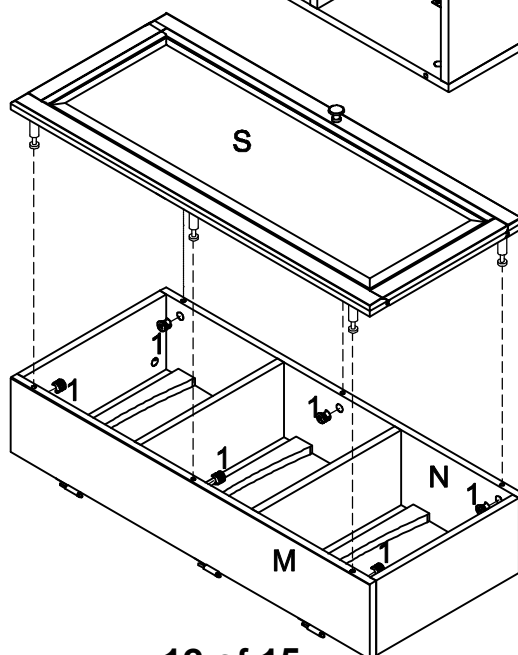
 x4

 x10



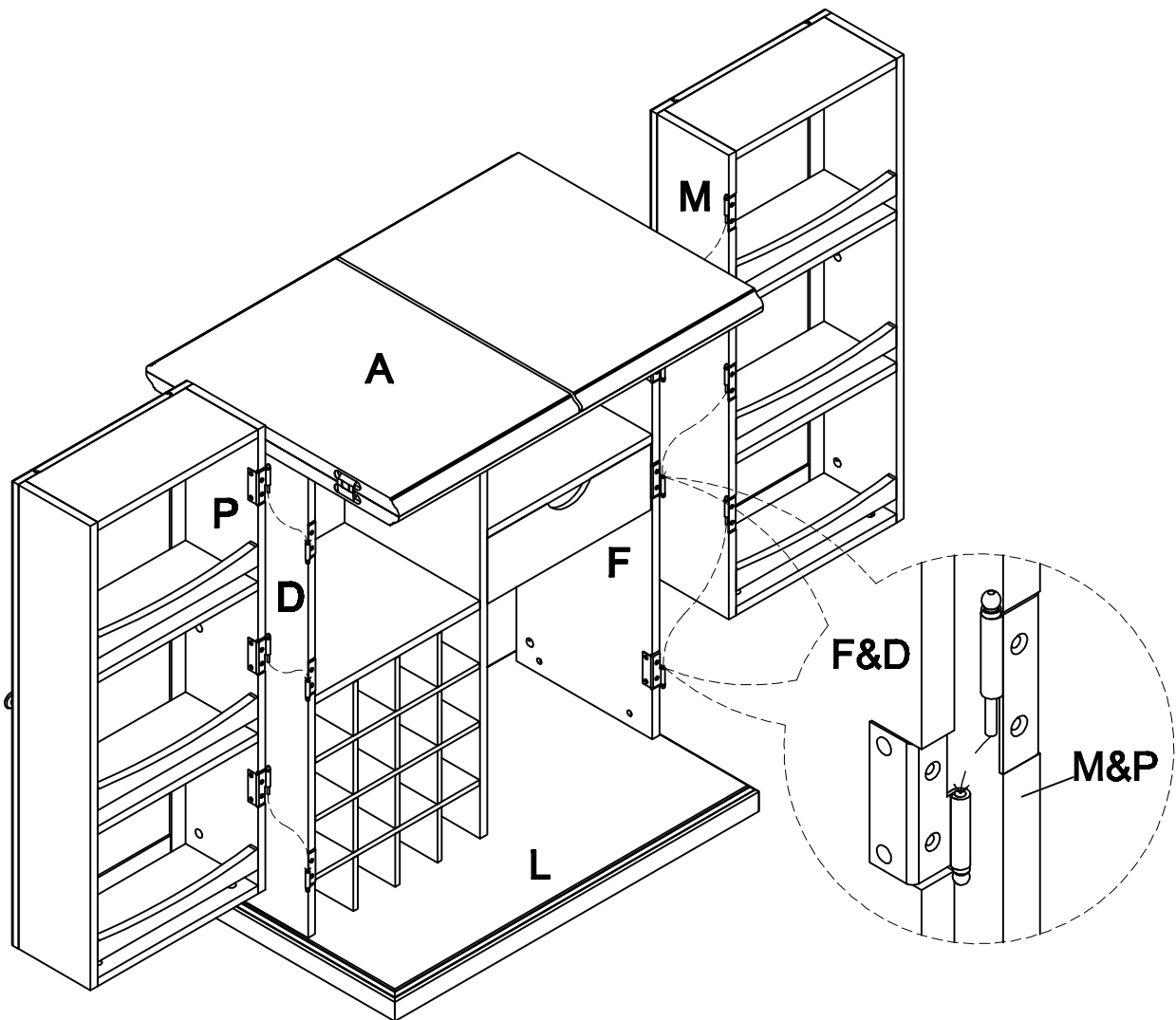
 x4

 x10



 x6

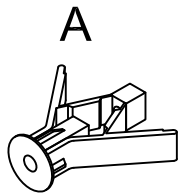
Step 12. Attach Assembled Front Left & Right Storage Doors to cabinet by aligning the hinges on the door with the hinges on the cabinet, and lowering into place. **Note:** Be sure that the hinges on the doors have lowered completely into place, and are flush with the hinges on the cabinet before closing the doors.



15



SAFETY STRAP KIT
1 PC



WALL ANCHOR
Ax1 PC

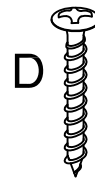


WASHER
Bx2PCS



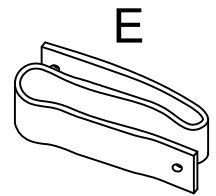
D8*3/4"

SHORT SCREW
Cx1PC

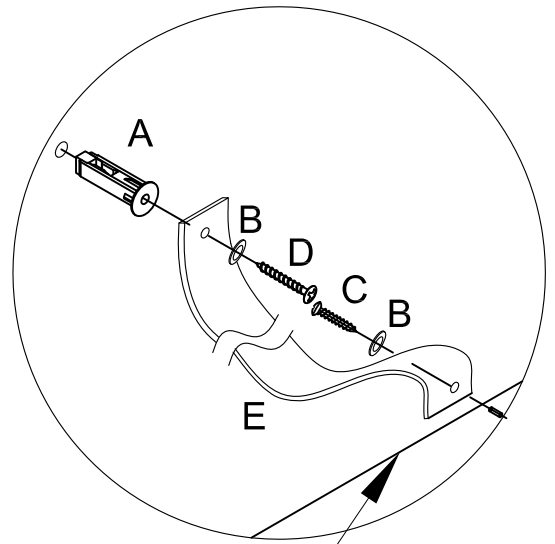


D8*1-1/2"

LONG SCREW
Dx1PC

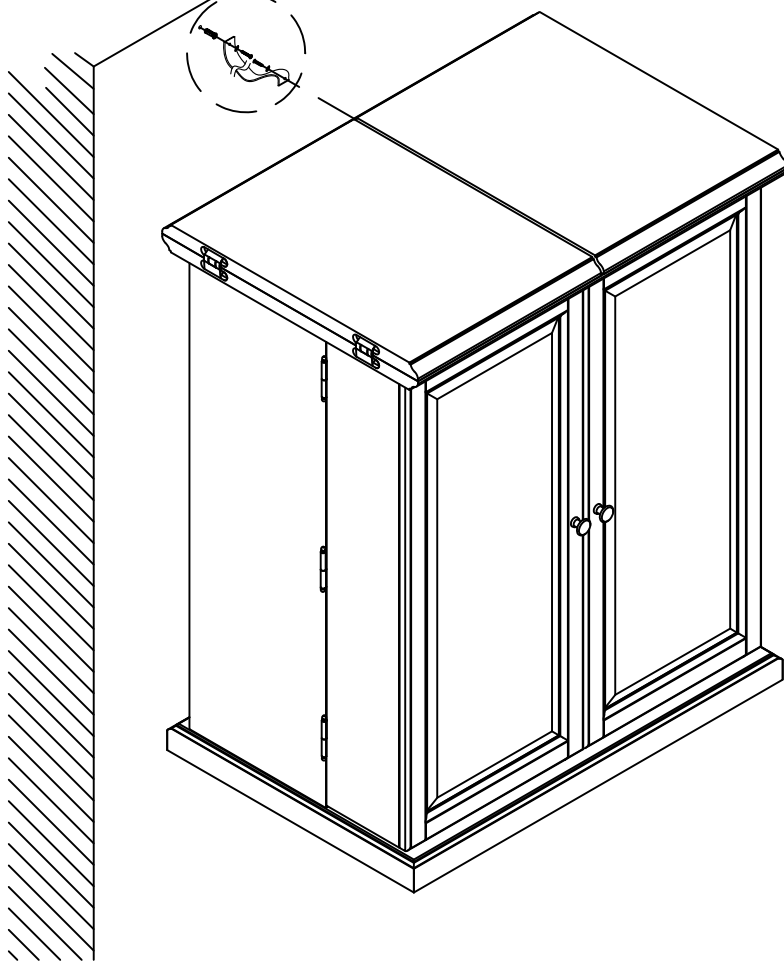


SAFETY WALL STRAP
Ex1PC



Part I

Wall



Step 13
**SAFETY WALL STRAP ASSEMBLY
INSTRUCTION**

- 1) Insert Short Screw (Part#C) through Washer (Part#B) and Safty Wall Starp (Part#E) and screw it into Part I.
- 2) Drill a 9mm hole at a point where you want to secruie/attach your Kitchen Cart. Make sure that the height of the hole being drilled into the wall is equal to the height of the hole in part I. Tap Wall Anchor (Par t #A) into the hole.
- 3) Insert Long Screw (Part#D) through a Washer (Part #B) and Wall Safty Strap (Part#E) into Wall Anchor (Part#A).

C R O S L E Y
F U R N I T U R E

Limited Manufacturers Warranty

Crosley Furniture Products are warranted against defects in material and workmanship for a period of 90 days beginning from the date of sale. Should any parts be missing or defective, we will replace or repair the parts for a period of 90 days from the date of purchase.

Should you experience any missing or damaged parts, do not return to the store. Please contact us directly at 800-815-4796 from 9 AM to 5 PM (EST) Monday to Friday.

This warranty gives the purchaser specified legal rights in addition to any rights which may vary from state to state.

In accordance with the "Moss-Magnuson Warranty Act" of July 10, 1975, this is termed a "limited warranty" which in no way compromises Crosley Furniture's high standards of Quality and Workmanship.