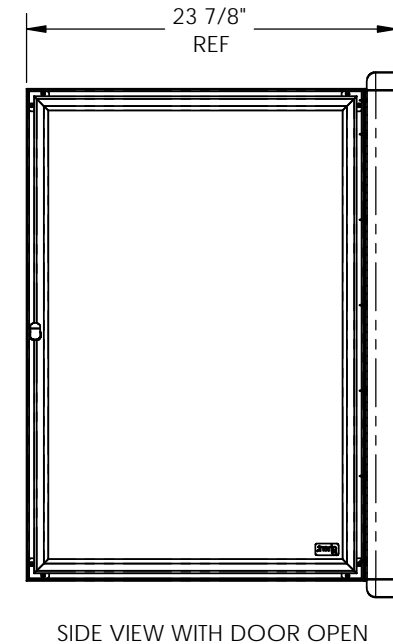
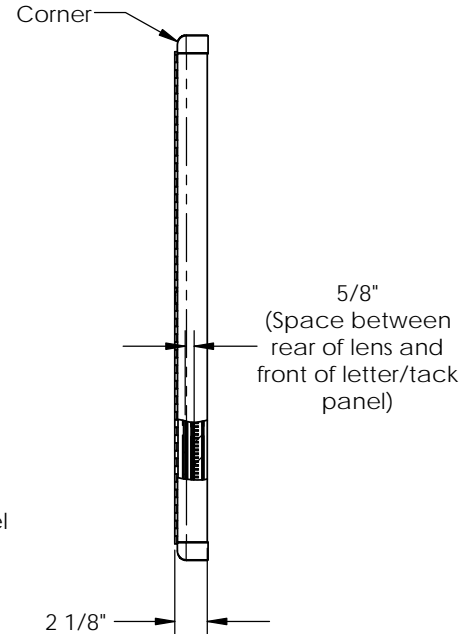
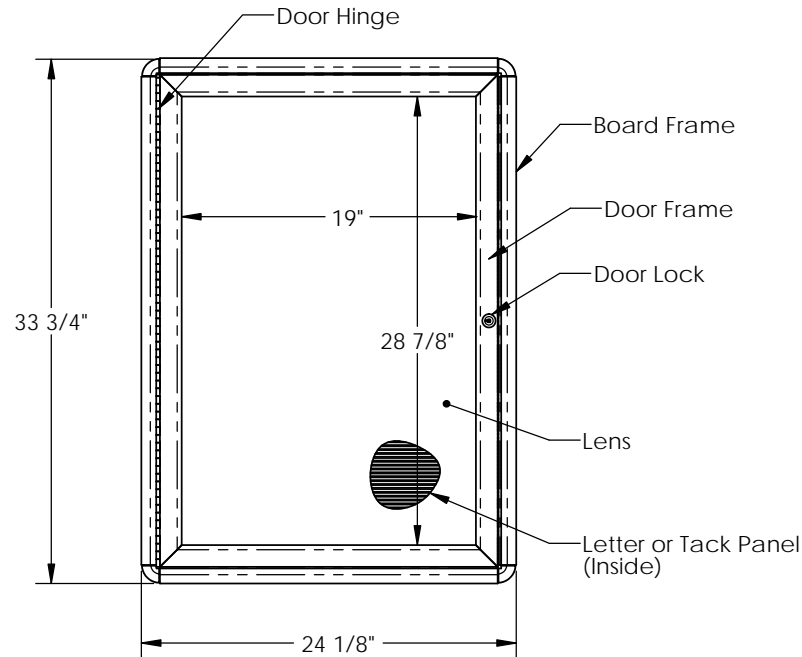


# Ovation Series

## Enclosed Boards - Single Door



### Materials:

- Board frame, door frame, and door hinges - aluminum.
- Lens - clear acrylic sheet.
- Letter panel - flannel stuffed 1/2" thick grooved medium density fiberboard (MDF).
- Tack panel - fabric covered 3/8" thick fiber board.
- Board corners - die cast zinc
- Lock, hanger, and fasteners - steel

### Features:

- Full length door hinge.
- Rounded board frame corners
- A cam style door lock with two keys.
- Four installed hangers
- One set of white plastic 3/4" gothic letters (included with boards with letter panels)

### Options:

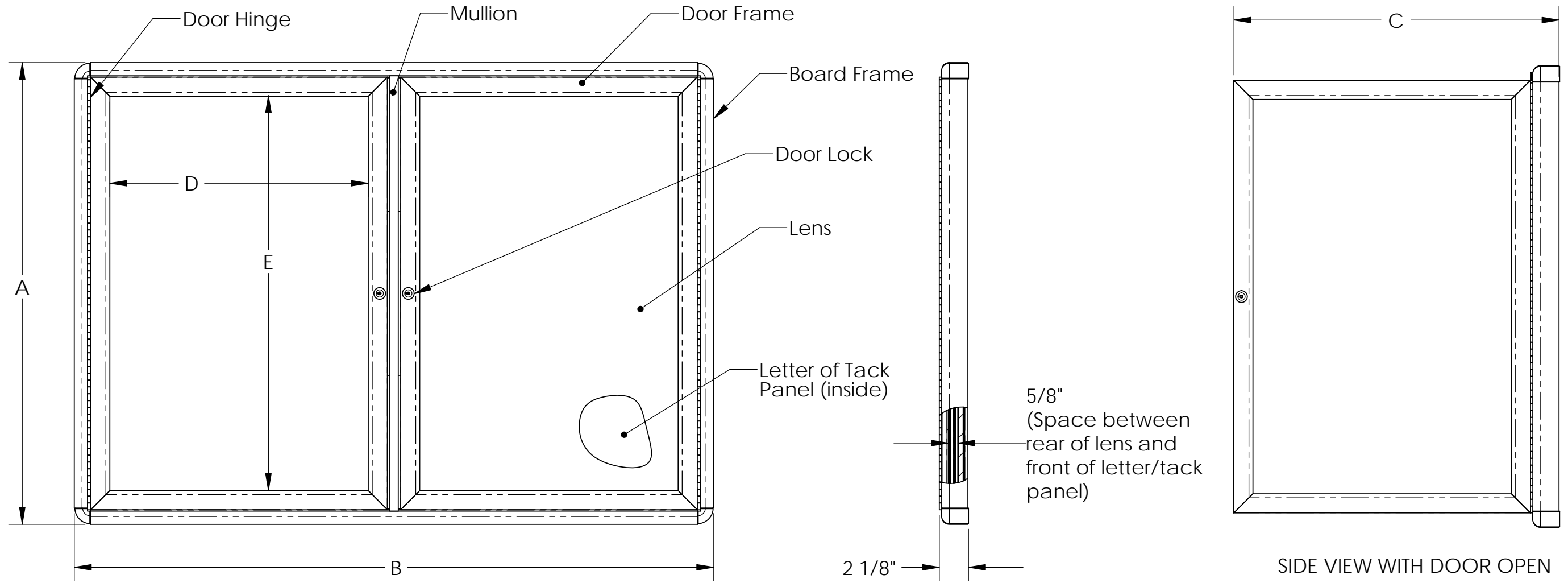
- Available with either a letter panel or a tack panel.
- Board and door frame finishes - powder coated black, gray, medium cherry, or natural maple.
- Letter panel colors - black or burgundy
- Tack panel colors - black, gray, or merlot (black and gray frames)  
beige, black, blue, gray, or merlot (cherry and maple frames)
- Board corner colors - black (black, cherry or maple frames)  
gray (gray frames only)  
chrome (cherry or maple frames)

### Notes:

- Optional matching non-illuminated separate headers are also available.

# Ovation Series

## Enclosed Boards - 2 Door



### Materials:

- Board frame, door frames, and door hinges - aluminum.
- Lens - clear acrylic sheet.
- Letter panel - flannel stuffed 1/2" thick grooved medium density fiberboard (MDF).
- Tack panel - fabric covered 3/8" thick fiber board.
- Board corners - die cast zinc
- Lock, hangers, and fasteners - steel

### Features:

- Full length door hinges.
- Rounded board frame corners
- Cam style door locks with two keys.
- Four installed hangers
- One set of white plastic 3/4" gothic letters (included with boards with letter panels)

### Options:

- Available with either a letter panel or a tack panel.
- Board and door frame finishes - powder coated black, gray, medium cherry, or natural maple.
- Letter panel colors - black or burgundy
- Tack panel colors - black, gray, or merlot (black and gray frames)  
beige, black, blue, gray, or merlot (cherry and maple frames)
- Board corner colors - black (black, cherry or maple frames)  
gray (gray frames only)  
chrome (cherry or maple frames)

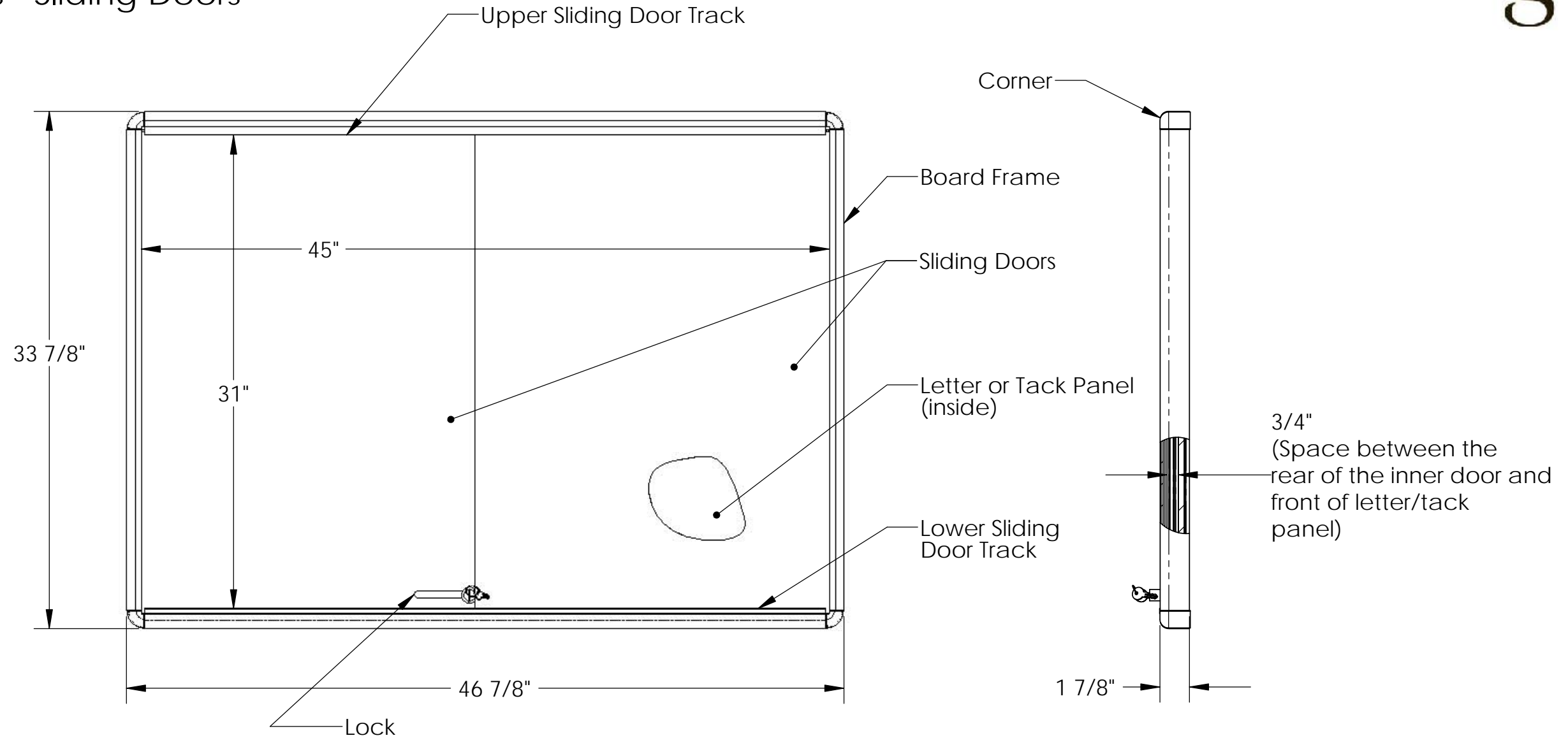
MODEL#	A	B	C	D	E
OVG2-BBG thru OVNMC2-F95	33-3/4"	46-7/8"	23-7/8"	19"	28-7/8"
OVK4-BBG thru OVNMC4-F95	36-1/16"	60-1/16"	30-7/16"	21-1/4"	31-1/8"

### Notes:

Optional matching non-illuminated separate headers are also available.

# Ovation Series

## Enclosed Boards - Sliding Doors



### Materials:

- Board frame - aluminum
- Sliding doors - 1/8" thick tempered glass
- Letter panel - flannel stuffed 1/2" thick grooved medium density fiberboard (MDF).
- Tack panel - fabric covered 3/8" thick fiber board
- Door tracks - color matched PVC
- Board corners - die cast zinc
- Lock, hanger, and fasteners - steel

### Features:

- Full length door hinge.
- Rounded board frame corners
- Sliding glass door style lock with two keys.
- Four installed hangers
- One set of white plastic 3/4" gothic letters (included with boards with letter panels)
- Finger pulls for the sliding glass panels.

### Options:

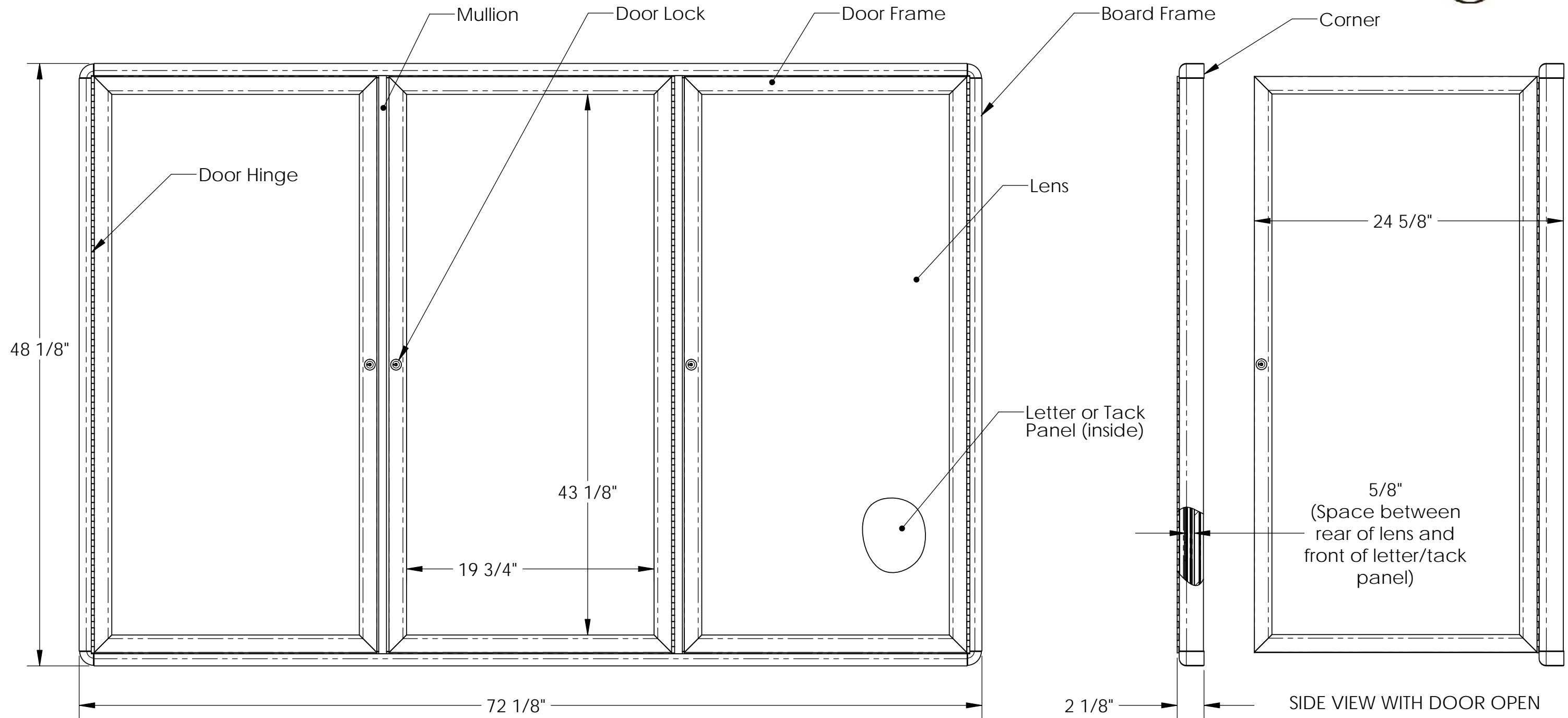
- Available with either a letter panel or a tack panel.
- Board frame finishes - powder coated black, gray, medium cherry, or natural maple.
- Letter panel colors - black or burgundy
- Tack panel colors - black, gray, or merlot (black and gray frames)  
beige, black, blue, gray, or merlot (cherry and maple frames)
- Board corner colors - black (black, cherry or maple frames)  
gray (gray frames only)  
chrome (cherry or maple frames)

### Notes:

- Optional matching non-illuminated separate headers are also available.

# Ovation Series

## Enclosed Boards - 3 Door



### Materials:

- Board frame, door frames, and door hinges - aluminum.
- Lens - clear acrylic sheet.
- Letter panel - flannel stuffed 1/2" thick grooved medium density fiberboard (MDF).
- Tack panel - fabric covered 3/8" thick fiber board.
- Board corners - die cast zinc
- Lock, hanger, and fasteners - steel

### Features:

- Full length door hinges.
- Rounded board frame corners
- A cam style door locks with two keys.
- Four installed hangers
- One set of white plastic 3/4" gothic letters (included with boards with letter panels)

### Options:

- Available with either a letter panel or a tack panel.
- Board and door frame finishes - powder coated black, gray, medium cherry, or natural maple.
- Letter panel colors - black or burgundy
- Tack panel colors - black, gray, or merlot (black and gray frames)  
beige, black, blue, gray, or merlot (cherry and maple frames)
- Board corner colors - black (black, cherry or maple frames)  
gray (gray frames only)  
chrome (cherry or maple frames)

### Notes:

- Optional matching non-illuminated separate headers are also available.