



LOCATION		DATE
PREPARED BY		QUANTITY
COMMENTS		FIXTURE TYPE
CATALOG NUMBER		

**Wall Pack  
TPWW113BKPLT**

**Features**

All purpose wall pack is an energy saving long-lasting alternative to Incandescent. Ideal use for security and general lighting. Provides lighting in residential, commercial, retail and hospitality applications.

**Construction**

Housing is die formed 22-gauge aluminum.

**Finish**

All interior metal surface area is painted lighting grade white gloss enamel finish. Exterior is painted black.

**Diffuser**

2/3 clear prismatic, 1/3 black polycarbonate attaches to housing with machine screws (included).

**Electrical**

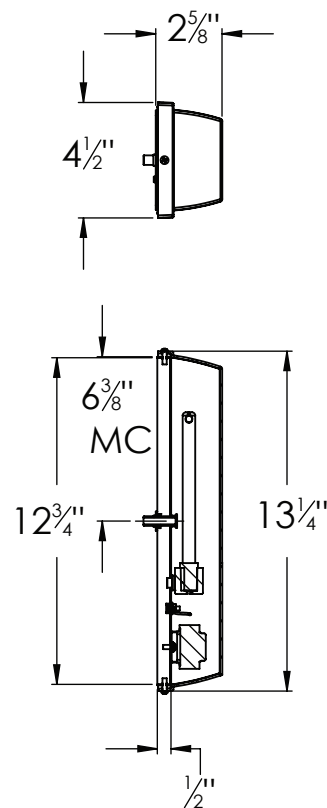
This unit is wired for 120VAC/60 Hz. operation.

**Lamping**

For use with 13W PL Bi-Pin fluorescent lamp; included.

**Certification**

UL certified for damp locations.



**Ordering Information:**

Model No.	Finish	Qty.	Lamp	H	W	D
TPWW113BKPLT	Black	1	13W PL 2-Pin	13-1/4"	4-1/2"	2-5/8"

Specifications and dimensions subject to change without notice.