

LOCATION		DATE
PREPARED BY		QUANTITY
COMMENTS		FIXTURE TYPE
CATALOG NUMBER		

Fluorescent Flush Mount C213PBPLT

Features

Classic flush mount fixture with crystal diamond look diffuser in a polished brass finish. Product can be used in various applications including corridors, and public spaces for ceiling applications.

Construction

Housing is die-formed of 22-gauge steel. Acrylic diffuser is retained with a center finial. Standard mounting holes and hardware are included. Power supply connections must be made inside a junction box (not included).

Finish

Polished brass finish trim ring and finial.

Diffuser

Clear prismatic acrylic bowl attached to pan by bottom finial.

Electrical

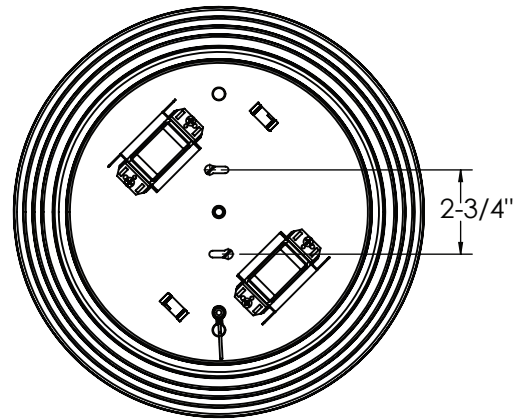
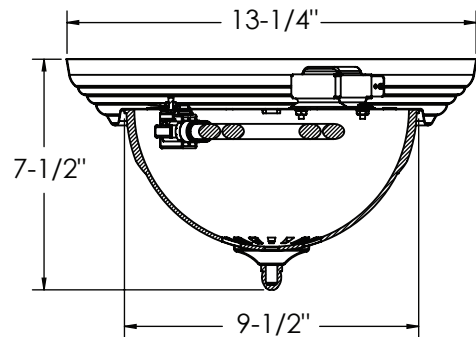
This unit is wired for 120V/60Hz AC operation.

Lamping

For use with 13W PL Bi-Pin fluorescent lamps included.

Certification

All fixtures are cULus listed for damp locations.



Ordering Information:

Model No.	Finish	Qty	Lamp	H	DIA1	DIA2	M
C213PBPLT	Polished Brass	2	13W PL 2-PIN	7-1/2"	13-1/4"	9-1/2"	2-3/4"

Specifications and dimensions subject to change without notice.