

LOCATION		DATE
PREPARED BY		QUANTITY
COMMENTS		FIXTURE TYPE
CATALOG NUMBER		

Outdoor Fluorescent Flood Light TPDW213RBPLT

Features

Heavy duty utility outdoor flood light is an energy saving long-lasting alternative to incandescent. Ideal use for security and general lighting. Provides lighting in residential, commercial, retail and hospitality applications.

Construction

Housing is die cast 22-gauge aluminum.
Inner silver reflector.

Finish

All exposed metal surface area is painted Oil-Rubbed Bronze.

Diffuser

Clear tempered glass diffuser.

Electrical

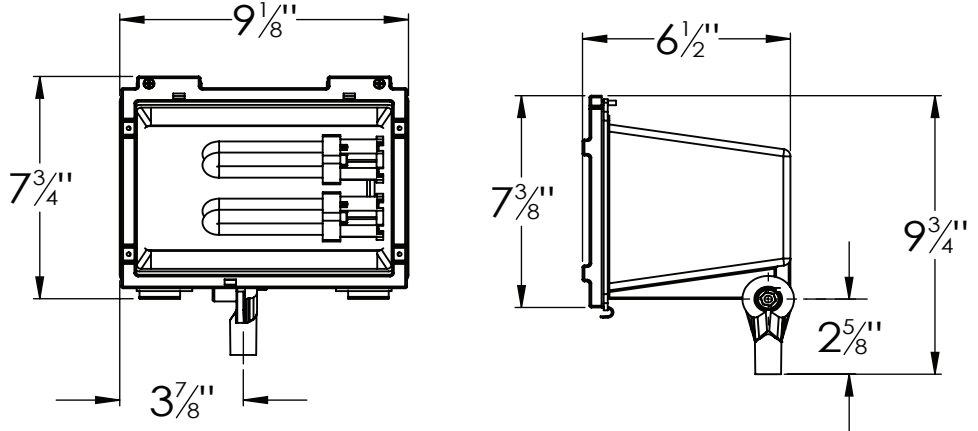
This unit is wired for 120VAC/60 Hz. operation.
Magnetic ballast.

Lamping

For use with 13W CFQ 4-Pin fluorescent lamps, included.

Certification

UL certified for wet locations.



Ordering Information:

Model No.	Finish	Qty.	Lamps	H	W	D
TPDW213RBPLT	Oil-Rubbed Bronze	2	13W CFQ 4-Pin	7-3/8"	9-1/8"	6-1/2"

Specifications and dimensions subject to change without notice.