



Carter Series
CSS2022/2032/2054/2072

Project		Fixture Type
Location		Quantity
Approved By	Date	Catalog Number

Features

Low profile, soft edged square cloud ceiling mount fixture available in three sizes and can be used in various applications including baths and kitchens. Fixture mounts to standard junction box (not included).

Construction

Housing is die-formed of 22-gauge steel. Standard mounting holes and hardware are included. Power supply connections must be made inside a junction box (not included).

Finish

Back plate is finished in lighting grade white baked gloss enamel paint.

Diffuser

Diffuser is .090" thick vacuum formed smooth white acrylic that is secured by plastic latches.

Electrical

This unit is wired with UL listed electronic normal power factor ballast for 120V/60 Hz AC operation.

Lamping

Circline lamps are included with this fixture series. Color temperature is 3500K. 12" fixture includes 1/22 watt, 14 1/2" includes 1/32 watt or 1/22 and 1/32 (54 watts) and the 19 1/2" includes 1/32 and 1/40 watt circline lamp(s).

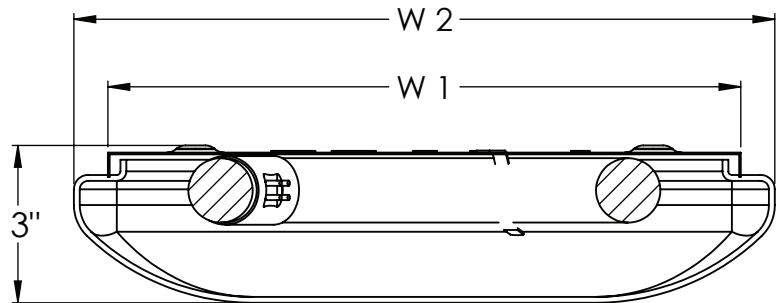
Certification

All fixtures are cULus listed for damp locations.

Options

120-277V HPF
 13, 18 and 26 watt CFQ lamping options
 ENERGY STAR qualified

Specifications and dimensions
 subject to change without notice.



Ordering Information:

Model No.	Lamps		Dimensions			
	Finish	Qty	Lamp	H	W 1	W 2
White CSS2022ET	120V	1	FC8T9 22W	3"	11-1/8"	12-1/8"
White CSS2032ET	120V	1	FC12T9 32W	3"	14-1/8"	15"
White CSS2054ET	120V	2	(1) FC8T9 22W & (1) FC12T9 32W	3"	14-1/8"	15"
White CSS2072ET	120V	2	(1) FC12T9 32W & (1) FC16T9 40W	3"	19-1/8"	20"