



| | | |
|----------------|--|--------------|
| LOCATION | | DATE |
| PREPARED BY | | QUANTITY |
| COMMENTS | | FIXTURE TYPE |
| CATALOG NUMBER | | |

Wall Pack
TPWW113RBPLT, TPWW213RBPLT

Features

All purpose wall pack is an energy saving long-lasting alternative to Incandescent. Ideal use for security and general lighting. Provides lighting in residential, commercial, retail and hospitality applications.

Construction

Housing is die formed 22-gauge aluminum.

Finish

All interior metal surface area is painted lighting grade white gloss enamel finish. Exterior is painted oil-rubbed bronze.

Diffuser

Clear prismatic polycarbonate attaches to housing with machine screws (included).

Electrical

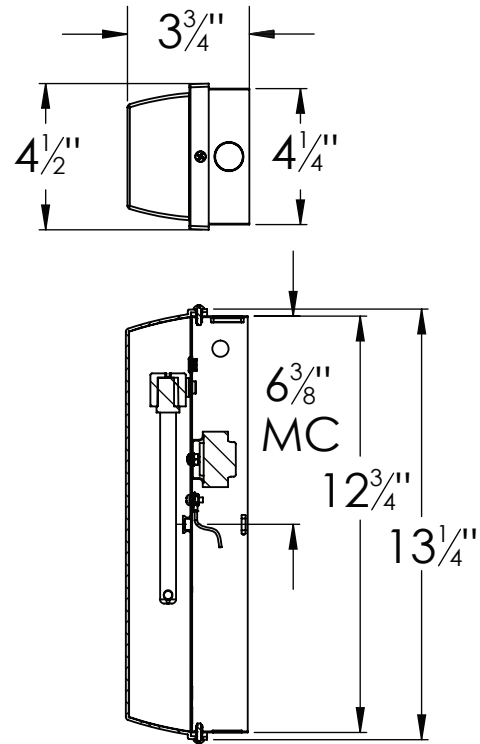
This unit is wired for 120VAC/60 Hz. operation.

Lamping

For use with 13W PL bi-pin fluorescent lamp; included.

Certification

UL certified for damp locations.



Ordering Information:

| Model No. | Finish | Qty. | LED | H | W | D |
|--------------|-------------------|------|--------------|---------|--------|--------|
| TPWW113RBPLT | Oil-Rubbed Bronze | 1 | 13W PL 2-Pin | 13-1/4" | 4-1/2" | 3-3/4" |
| TPWW213RBPLT | Oil-Rubbed Bronze | 2 | 13W PL 2-Pin | 13-1/4" | 4-1/2" | 3-3/4" |

Specifications and dimensions subject to change without notice.