

**Swain Semi-Flush Mount  
SWF213SCT**

Project		Fixture Type
Location		Quantity
Approved By	Date	Catalog Number

**Features**

A traditional semi-flush mount with scroll metal design comes with a tea stained glass diffuser. Product can be used over dining areas, kitchens, hallways and foyers. Two GU24 based self-ballast lamps are included. Canopy mounts to a standard junction box (not included).

**Construction**

Glass diffuser is mounted to an 18-gauge steel fitter. Canopy size is 5" round and fits over standard junction box; retained with two screws. Power supply connections must be made inside a junction box (not included).

**Finish**

All exposed metal parts are applied oil-rubbed bronze with clear laquer topcoat.

**Diffuser**

Diffuser is .090" thick hand-blown glass with tea stain finish.

**Electrical**

This unit is direct wired with 2/13 watt self-ballast GU24 base lamps for 120V/60 Hz AC operation.

**Lamping**

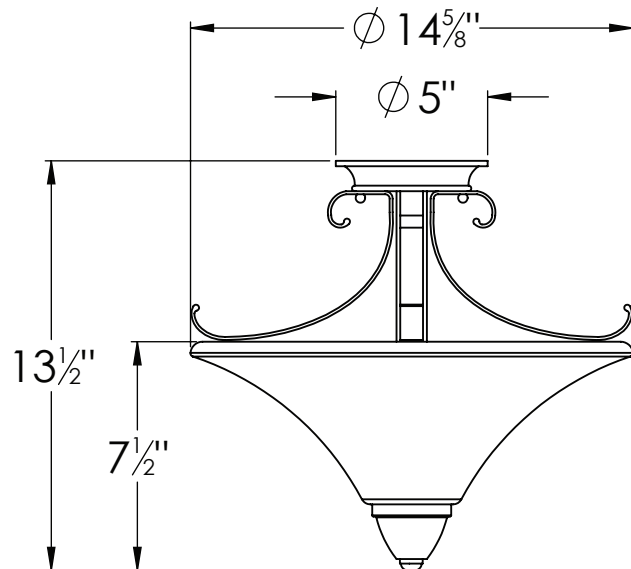
Includes 2/13 watt 2700K GU24 self-ballast lamps.

**Certification**

cULus listed for damp locations  
ENERGY STAR® qualified

Specifications and dimensions  
subject to change without notice.

For photometric information, consult factory.



**Ordering Information:**

Model No.	Finish	Lamps		Dimensions	
		Qty	Type	H	DIA
SWF213SCT	Oil-Rubbed Bronze	2	13W Max GU24 Self-Ballast CFL	13-1/2"	14-5/8"