

**Restoration Series  
REPB313**

Project _____		Fixture Type _____
Location _____		Quantity _____
Approved By _____	Date _____	Catalog Number _____

**Features**

This ceiling mount triple lamp linear fixture features a simple style with elegant geometry. The contemporary glass pendant is 10.25" tall and includes (3) 6 ft. black adjustable cords with a twist lock strain relief for easy adjustment. Glass can be raised for easy re-lamping and has an open bottom. Product can be used over receptions desks, restaurants, and in public spaces. Canopy mounts to standard junction box (not included).

**Construction**

Glass is mounted into a die cast fitter. Decorative cover has a radius surface and is 5" wide x 40.875" long. This unit fits over a standard junction box with a J-box cover plate. Standard mounting holes and hardware are included. Power supply connections can be made inside the unit or inside a junction box (not included).

**Finish**

All exposed metal parts have an oil-rubbed bronze finish and a clear lacquer topcoat.

**Diffuser**

Diffuser is .090" thick frosted hand-blown case glass secured into a die cast fitter with two screws.

**Electrical**

This unit is wired with UL listed electronic normal power factor socket ballast for 120V/60 Hz AC operation.

**Lamping**

For use with 1/13 watt compact fluorescent 4 pin quad lamp; supplied by others.

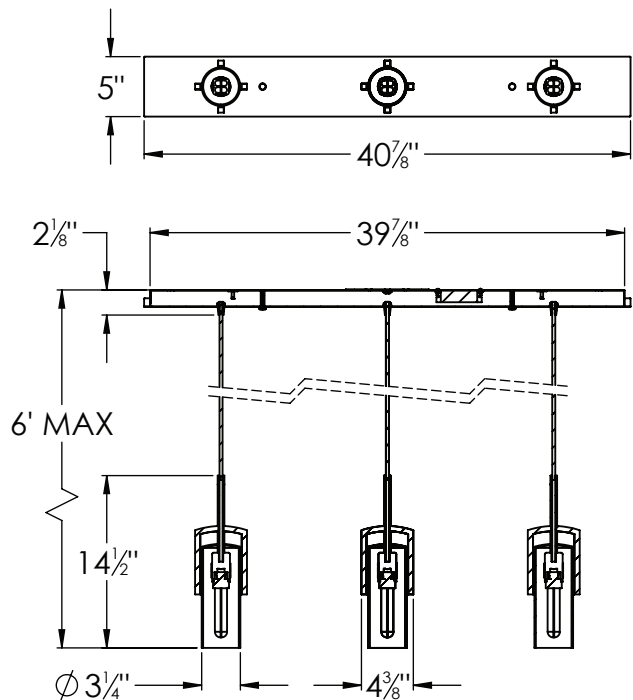
**Certification**

All fixtures are cULus listed for damp locations.

**Options**

ENERGY STAR qualified when ordered with 120V ballast and lamp

Specifications and dimensions  
subject to change without notice.



**Ordering Information:**

Model No.	Lamps		Dimensions			
	Finish	Qty	Lamp	H	W	L
Oil-Rubbed Bronze	120V	3	13W CFQ 4 PIN	14-1/2"	3-1/4"	40-7/8"