

Contemporary Floating Cloud RC232/2U3/417/432

Features

The molded white cloud diffuser has rounded corners and edges for a soft pillow appearance. Fixture is available in three sizes, 10-1/2" x 51-7/16", 15" x 51-7/16" and 15" x 24-1/2". It can be used in various applications including corridors, kitchens and public spaces. Fixture mounts to standard junction box (not included).

Construction

Housing is die-formed of 22-gauge steel. Standard mounting holes are included. Power supply connections can be made inside the fixture wire way or in a junction box (not included).

Finish

Back plate is finished in lighting grade white baked gloss enamel paint.

Diffuser

Diffuser is made of Dur-illume 2200 copolyester, a high strength lighting plastic material with high impact properties. Four clips on the two edges of the diffuser allow it to lift and shift for easy removal.

Electrical

This unit can be ordered in the following options: with UL listed instant-start, electronic high power factor ballast; 120V 60Hz AC (E8 suffix), 120-277 Universal 50/60Hz AC (MV suffix).

R8 model number suffix designates normal power factor, 120V, residential grade ballast.

Lamping

For use with 2/32, 4/32 or 4/17 watt T8 linear fluorescent lamps; supplied by others.

Certification

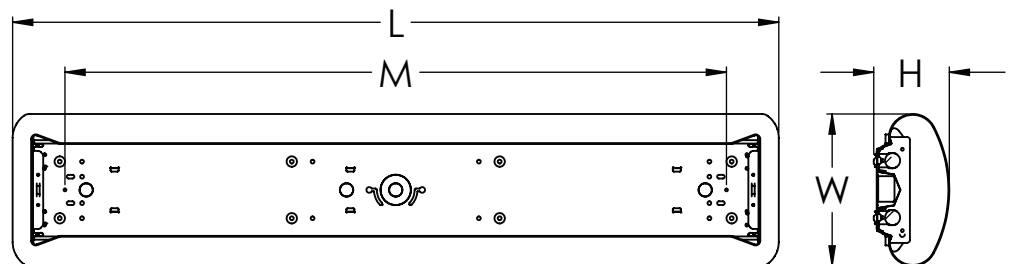
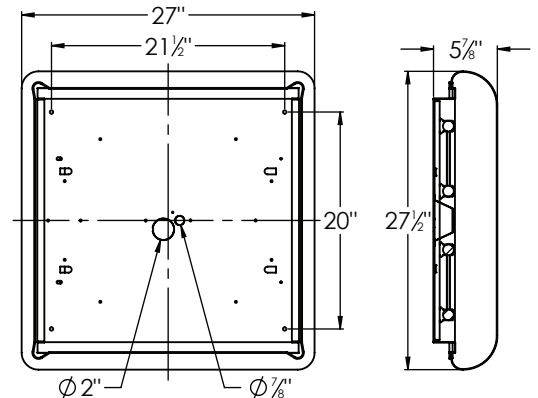
All fixtures are cULus listed for damp locations.

Options (consult factory)

120-277V HPF
Dimming
ENERGY STAR qualified with 120V ballast
Emergency battery back-up

Specifications and dimensions
subject to change without notice.

Project		Fixture Type
Location		Quantity
Approved By	Date	Catalog Number



Ordering Information:

Model No.	Lamps		Dimensions			Mounting		
	120V	120-277V	Qty	Type	H	W	L	M
White Diffuser	RC232R8	RC232MV	2	F32T8	4-7/8"	10-1/2"	50-3/4"	43-3/4"
White Diffuser	RC2U3R8	RC2U3MV	2	FB32T8	6"	27"	27-1/2"	—
White Diffuser	RC417R8	RC417MV	4	F17T8	5-1/4"	15"	24-1/4"	19-3/4"
White Diffuser	RC432R8	RC432MV	4	F32T8	5-1/4"	15"	50-3/4"	43-3/4"