

**Nolan Series
NLS118**

Project _____		Fixture Type _____
Location _____		Quantity _____
Approved By _____	Date _____	Catalog Number _____

Features

Transitional short wall mount sconce is ADA compliant and feature a glass-in-glass styling with a floating back plate. Open top and enclosed bottom blocks objectionable view of interior components from below. Fixture mounts to standard junction box (not included).

Construction

Back plate is die-formed of 20-gauge steel. Decorative accent bracket is .100" thick cast aluminum and retains glass and acrylic lensing. Standard mounting holes and hardware are included. Power supply connections must be made inside a junction box (not included).

Finish

Floating backplate is finished in plated oakley bronze. Clear lacquer seals the plated finish.

Diffuser

White acrylic interior diffuser is .100" thick. Exterior clear glass diffuser is .100" thick-slumped glass. Distance between both diffusers and diffuser assembly is held by a plastic spacer at the bottom of the glass.

Electrical

This unit is wired with UL listed electronic high power factor ballast for 120-277V 50/60 Hz AC operation.

Lamping

For use with 1/18 compact fluorescent quad lamp; supplied by others.

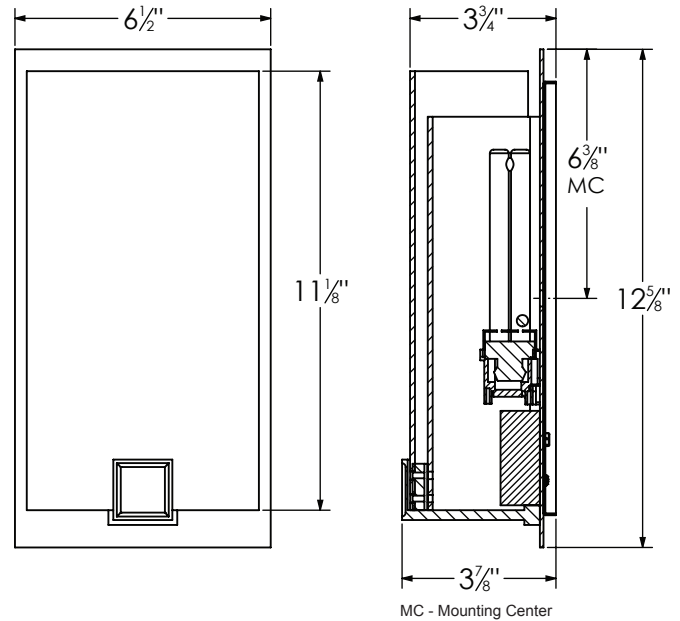
Certification

All fixtures are cULus listed for damp locations.

Options

1/26 lamp
Custom finishes

Specifications and dimensions
subject to change without notice.



Ordering Information:

Model No.	Lamps		Dimensions			
	Finish	120-277V	Qty	Lamp	H	W
Oakley Bronze	NLS118RBMV	1	18W CFQ 4 PIN	12-5/8"	6-1/2"	3-3/4"